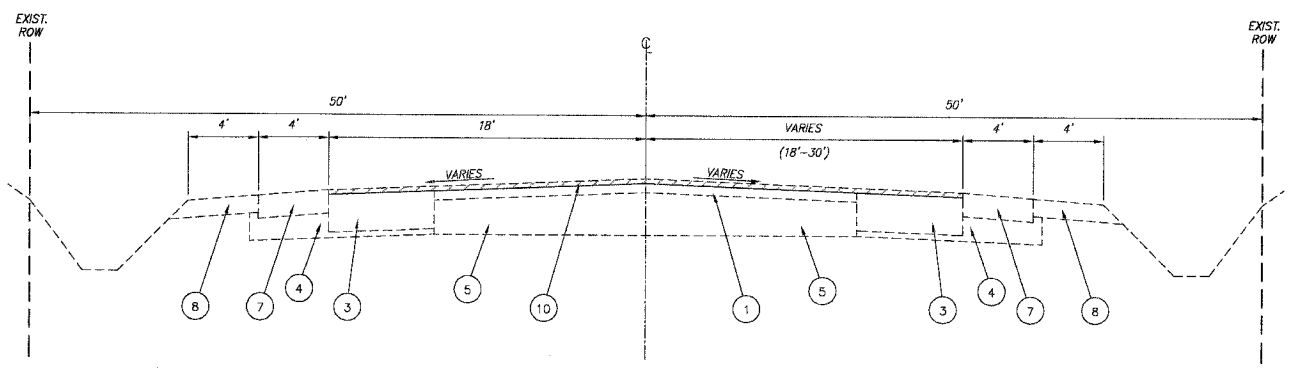
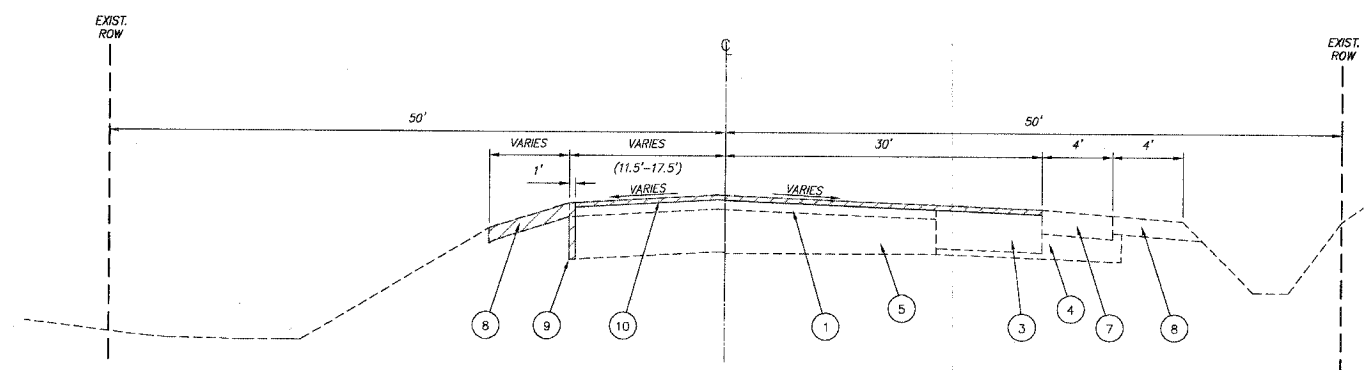


F.A.U. RTE.	SECTION	COUNTY	TOTAL SHEETS	SHEET NO.
3873	00-00243-00-FP	MCHENRY	84	06
STA.		TO STA.		
FED. ROAD DIST. NO. 1		ILLINOIS HIGHWAY PROJECT		

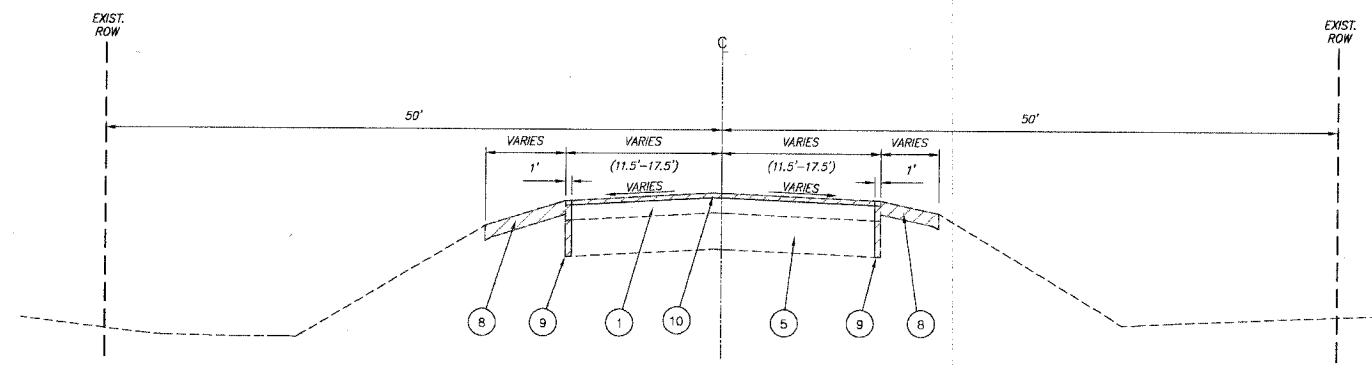
83840



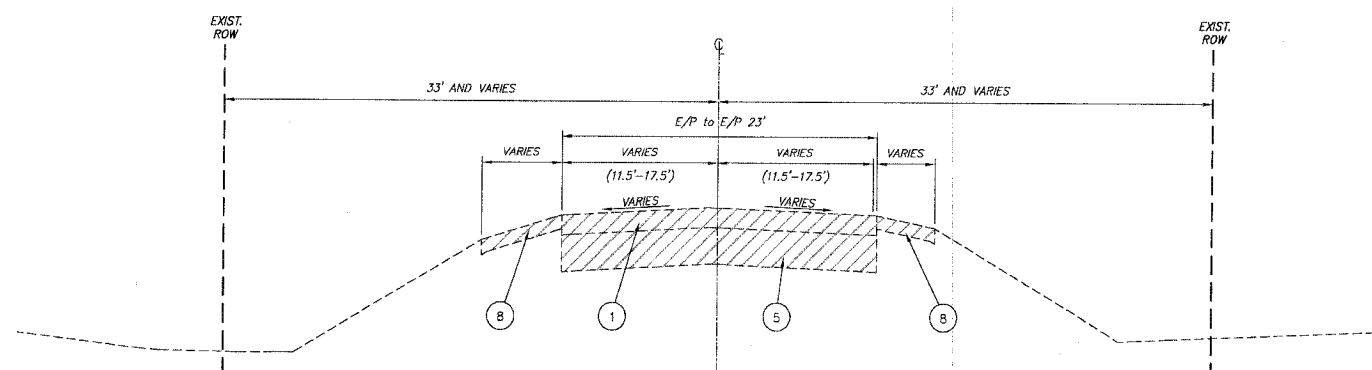
LAKWOOD ROAD - EXISTING TYPICAL SECTION
STA 309+05 to STA 312+05



LAKWOOD ROAD - EXISTING TYPICAL SECTION
STA 312+05 to STA 313+73



LAKWOOD ROAD - EXISTING TYPICAL SECTION
STA 313+73 to STA 315+06



LAKWOOD ROAD - EXISTING TYPICAL SECTION
STA 315+06 to STA 321+65

NOTE:
LAKWOOD ROAD TO BE RESURFACED FROM STA. 321+65 TO STA 324+65 WITH 1.5" OF BITUMINOUS CONCRETE SURFACE COURSE, SUPERPAVE MIX D, N70 DUE TO TRAFFIC STAGING TAPERS.

LEGEND

- 1 EXISTING BITUMINOUS PAVEMENT, VARIES (7.5" - 8")
- 2 EXISTING BITUMINOUS PAVEMENT, VARIES (4" - 6")
- 3 EXISTING BITUMINOUS PAVEMENT, VARIES (8" - 10")
- 4 EXISTING GRANULAR BASE, VARIES (4" - 6")*
- 5 EXISTING GRANULAR BASE, VARIES (11" - 14")*
- 6 EXISTING GRANULAR BASE, VARIES (14" TO 18")*
- 7 EXISTING BITUMINOUS SHOULDER
- 8 EXISTING AGGREGATE SHOULDER, 6"
- 9 PROPOSED SAW CUT, FULL DEPTH
- 10 PROPOSED BITUMINOUS SURFACE REMOVAL 1 1/2"

▨ ITEMS TO BE REMOVED

* THE DEPTH OF EXISTING GRANULAR BASE REMOVAL SHALL BE DETERMINED BY THE PROPOSED SUBGRADE ELEVATION

REVISIONS	
NO.	DATE
7.	
6.	
5.	
4.	
3.	
2.	
1.	

SMITH ENGINEERING CONSULTANTS, INC.
CIVIL/STRUCTURAL ENGINEERS AND SURVEYORS
4000 PRIME PARKWAY, SUITE 201
MCHENRY, ILLINOIS 60050
PH: 815-385-1778 FAX: 815-385-1781
www.smithengineering.com E-MAIL: sec@smithengineering.com
MCHENRY HUNTLEY YORKVILLE
ILLINOIS PROFESSIONAL DESIGN FIRM # 184-000108

McHENRY COUNTY DIVISION OF TRANSPORTATION
ACKMAN ROAD EXTENSION

EXISTING TYPICAL
CROSS SECTIONS - LAKEWOOD RD

SCALE: NTS DRAWN BY MRJ
DATE 10-05-2005 CHECKED BY TEH

PLOT FILE: STANDARD
VIEW: CE-06
COMP. FILE: typical sections.dwg