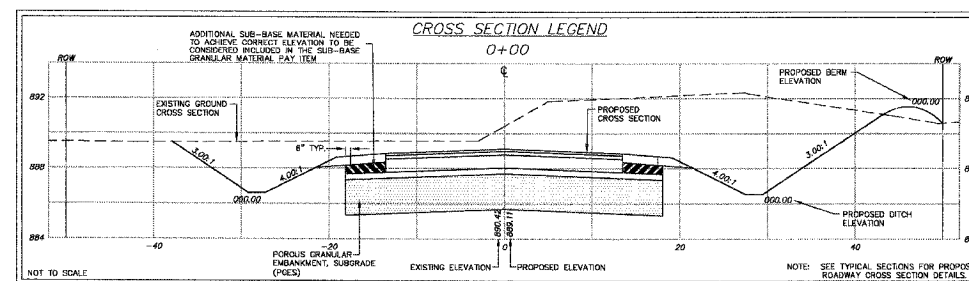
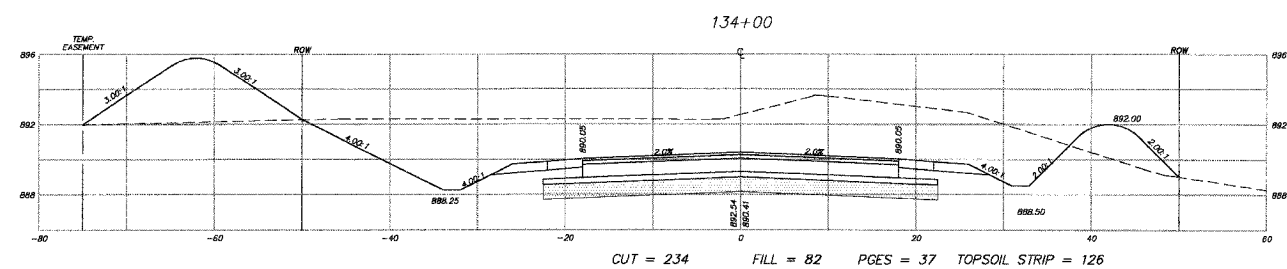
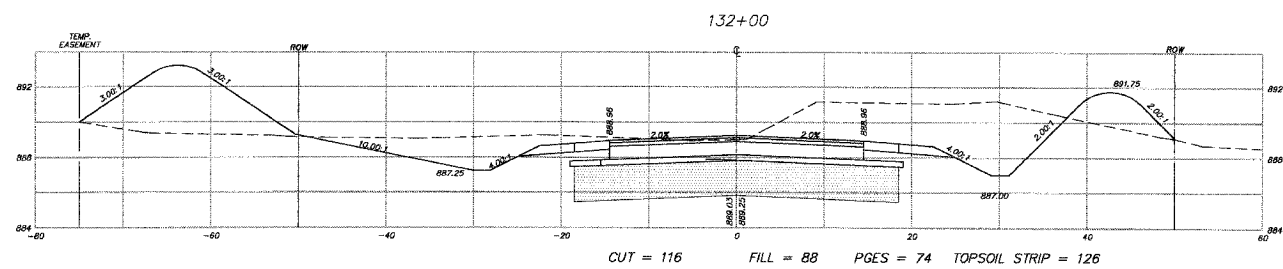
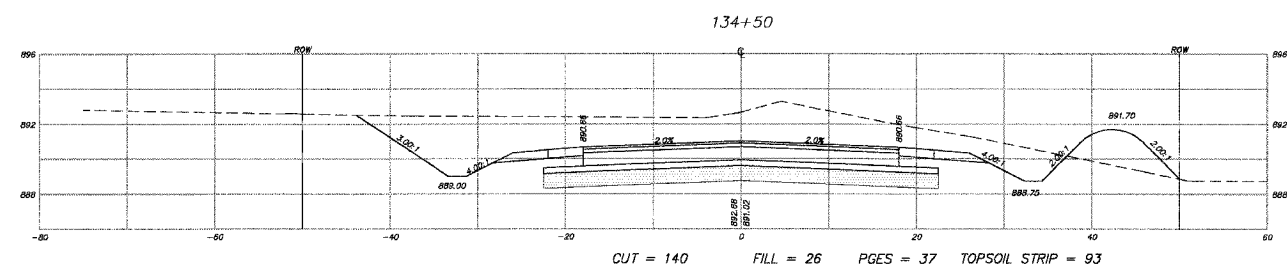
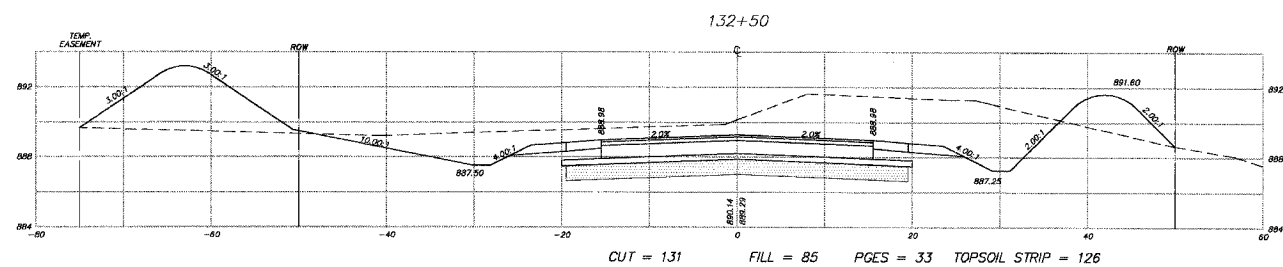
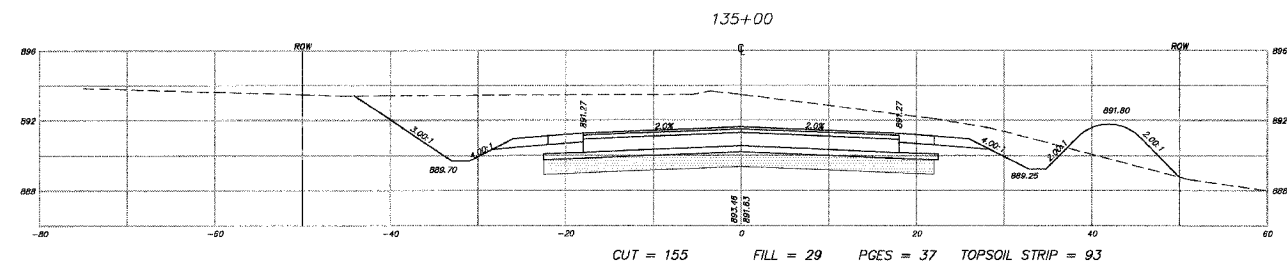
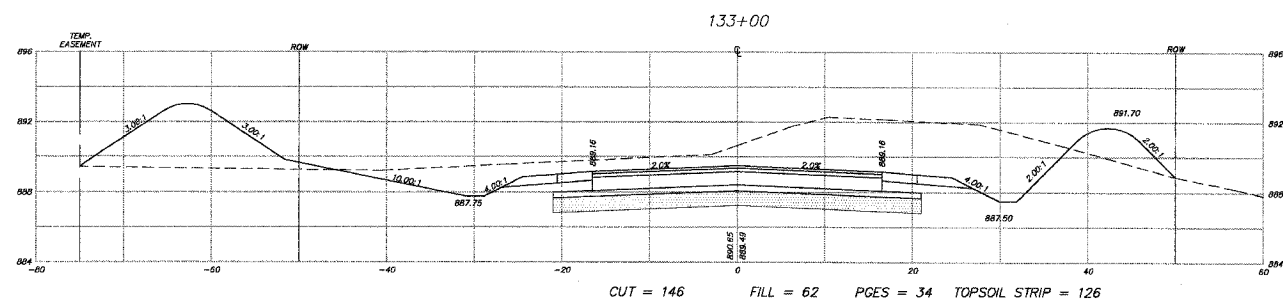
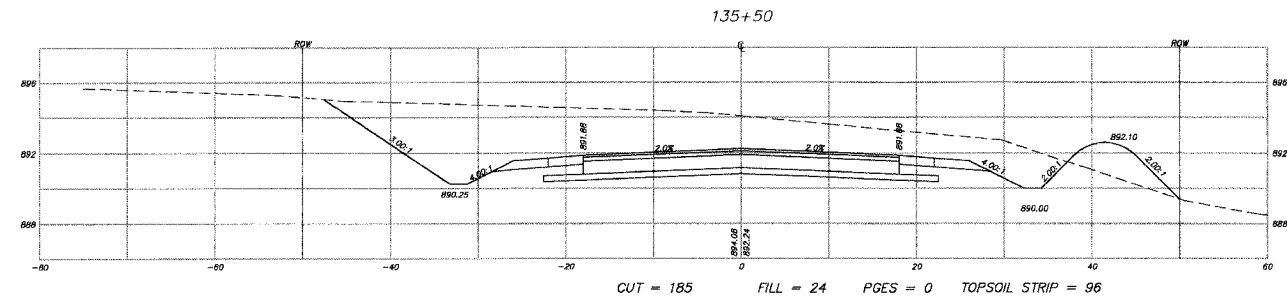
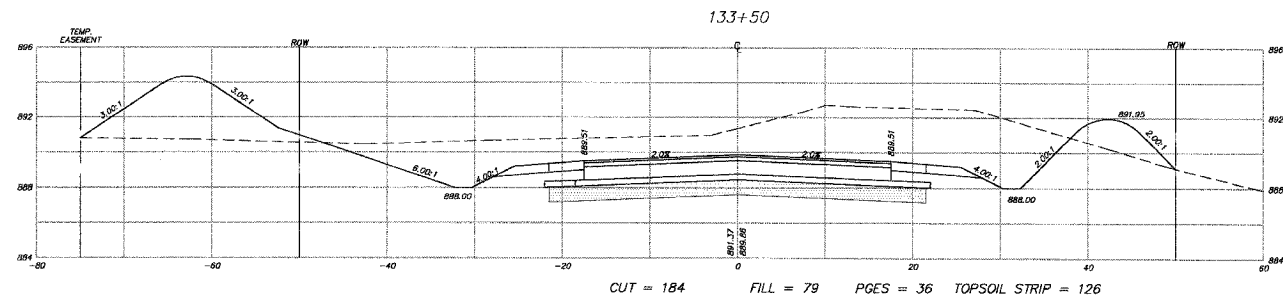


F.A.U. RTE.	SECTION	COUNTY	TOTAL SHEETS	SHEET NO.
3B73 DO-00243-00-FP		MCHENRY	84	69
STA. 132+00	TO STA. 135+50			
FED. ROAD DIST. NO. 1		ILLINOIS HIGHWAY PROJECT		

83840



NOTE:
SEE THE EARTHWORK TABLE FOR A SUMMARY OF THE CUTS AND FILLS.

REVISIONS	
NAME	DATE
7.	
6.	
5.	
4.	
3.	
2.	
1.	

SMITH ENGINEERING CONSULTANTS, INC.
 CIVIL/STRUCTURAL ENGINEERS AND SURVEYORS
 4500 PRIME PARKWAY, SUITE 201
 MCHENRY, ILLINOIS 60050
 PH: 815-385-1778 FAX: 815-385-1781
 www.smithengineering.com E-MAIL: sec@smithengineering.com
 MCHENRY HUNTLEY YORKVILLE
 ILLINOIS PROFESSIONAL DESIGN FIRM # 184-000108

MCHENRY COUNTY DIVISION OF TRANSPORTATION
 ACKMAN ROAD EXTENSION

CROSS SECTIONS FOR
 ACKMAN RD

SCALE: H:1"=10', V:1"=5'
 DATE 10-05-2005

DRAWN BY CJP
 CHECKED BY TEH

PLOT FILE: 032010resackman-new.dwg
 CADD FILE: 032010resackman-new.dwg