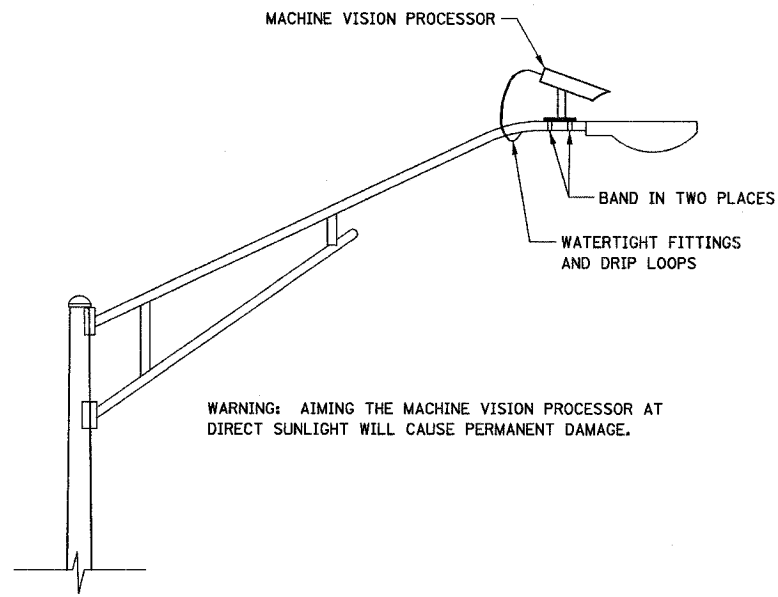
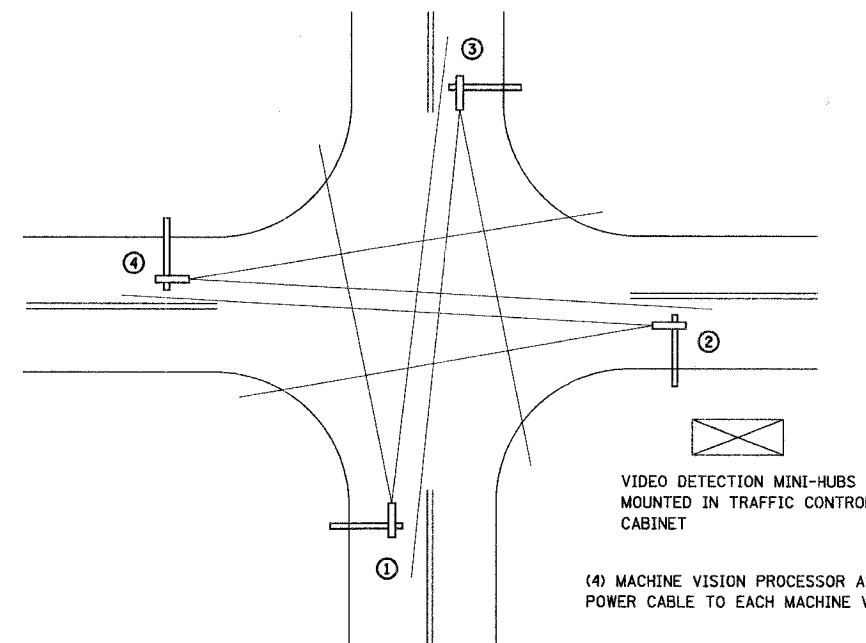


F.A. RTE.	SECTION	COUNTY	TOTAL SHEETS	SHEET NO.
	04-00101-00-TL	MCHENRY	22	11
STA. -		TO STA. -		
FED. ROAD DIST. NO.	ILLINOIS	FED. AID PROJECT		



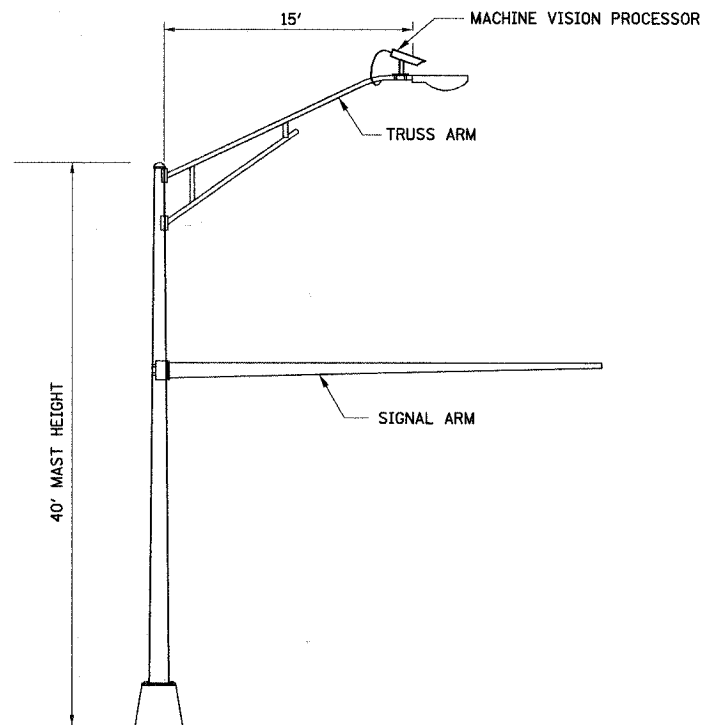
MACHINE VISION PROCESSOR MOUNTING DETAIL

(NOT TO SCALE)



TYPICAL VIDEO VEHICLE DETECTION SYSTEM

(NOT TO SCALE)



COMBINATION MAST ARM ASSEMBLY AND POLE DIMENSIONS

(NOT TO SCALE)

PLOT DATE = 02/17/2006
FILE NAME = H:\Crystal Lake\1056883-Ackman\Design\09\11VD.dgn

RHA&A
Robert H. Anderson & Associates, Inc.
Consulting Engineers & Land Surveyors
Timbers Professional Center
220 West River Drive, St. Charles, Illinois 60174
Phone - 630.584.3530 Fax - 630.584.3547
Email - rhain@rhaa.com

STAFF	
PROJECT MANAGER	MATT GAUNTT, P.E.
ENGINEER	T. COLE, EI
ENGINEER	K. JAY, EI
TECHNICIAN	
TECHNICIAN	

REVISIONS	
NAME	DATE
PRLM ENGR SUB1	9/9/05
FNL ENGR SUB1	12/29/05
FNL ENGR SUB2	2/10/06
FNL ENGR SUB3	2/17/06

ILLINOIS DEPARTMENT OF TRANSPORTATION
ACKMAN ROAD (CH 42-A46) AT
GOLF COURSE ROAD
TRAFFIC SIGNAL IMPROVEMENTS
VIDEO DETECTION DETAILS

SCALE: DATE 2-17-06 DRAWN BY CMC CHECKED BY MAG