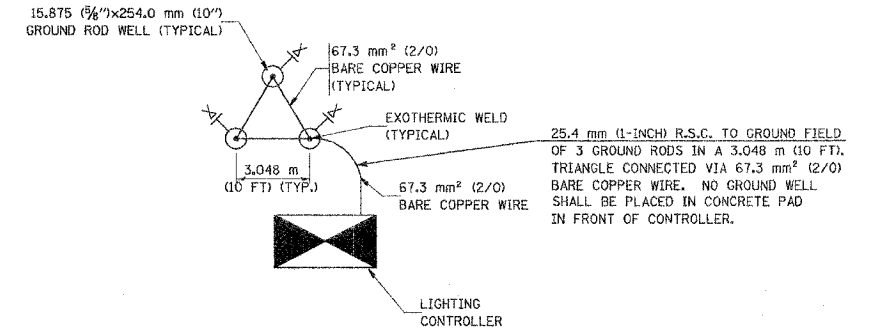
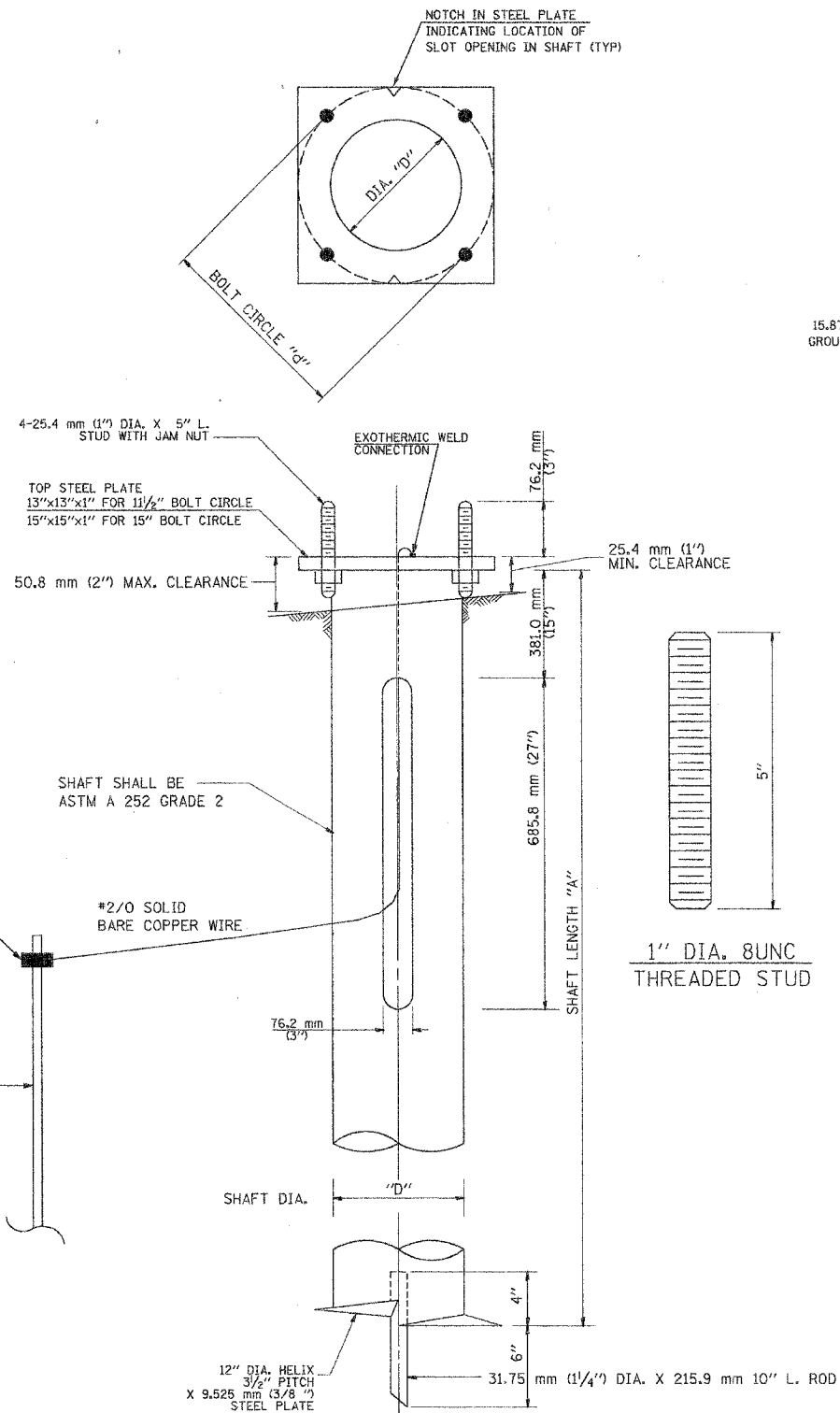
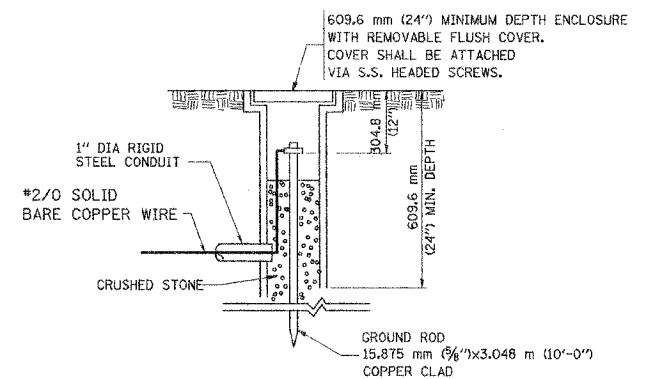


**NOTES:**

1. THE HELIX FOUNDATION SHAFT BASE PLATES, HELICAL PLATE, HELIX SCREW, PILOT POINT, AND STOCK BAR SHALL BE ASTM A36 STRUCTURAL STEEL OR BETTER.
2. ALL WELDS SHALL BE CONTINUOUS AND NOT LESS THAN 6.35 mm (1/4") FILLET WELDS. THE WELDED FOUNDATION SHALL BE CAPABLE OF WITHSTANDING 13558.18 n.m (10,000 FT/LBS) OF INSTALLATION TORQUE APPLIED ABOUT THE AXIS OF THE FOUNDATION.
3. THE ENTIRE HELIX FOUNDATION SHALL BE HOT DIPPED GALVANIZED AFTER FABRICATION IN ACCORDANCE WITH ASTM A123, GRADE B. NO TOUCH-UP WILL BE PERMITTED.
4. THE HARDWARE, STUDS, JAM NUTS, AND HEX NUTS SHALL BE ASTM A325 STEEL OR BETTER FLAT AND LOCK WASHERS SHALL BE OF STEEL. THE ANCHOR BOLTS, NUTS, AND WASHERS SHALL BE HOT DIPPED GALVANIZED IN ACCORDANCE WITH ASTM A153. HEX NUTS SHALL BE IN CONFORMANCE WITH ASTM A563, GRADE A AND WASHERS SHALL BE IN CONFORMANCE WITH ASTM F436.
5. THE HELIX FOUNDATION SHAFT SHALL BE INSTALLED VERTICAL AND THE BASE PLATE SHALL BE IN LEVEL. THE BREAKAWAY COUPLINGS AND HARDWARE SHALL NOT BE USED TO ALIGN THE POLE INSTALLATION.
6. THE CABLE TRENCH SHALL BE BACKFILLED AND FIRMLY COMPACTED BEFORE THE INSTALLATION OF THE LIGHT POLE.
7. ANCHOR BOLTS (THREADED STUD) SHALL BE 25.4 mm (1-INCH) DIAMETER AND SHALL COMPLY WITH THE REQUIREMENTS OF ASTM DESIGNATION A687.
8. THE CONTRACTOR SHALL COORDINATE EXTENSION OF ANCHOR BOLTS ABOVE TOP OF FOUNDATION WITH THE BREAKAWAY DEVICE MANUFACTURER'S REQUIREMENTS.
9. CONTRACTOR SHALL FILL HOLLOW FOUNDATION WITH DENSELY PACKED SAND AS SPECIFIED.
10. WIRING SLOTS SHALL BE ORIENTED TO BE PARALLEL TO THE ROADWAY
11. METAL FOUNDATION THAT ARE NOT INSTALLED TO FULL INSTALLATION DEPTH OR DO NOT ACHIEVE THE MAXIMUM INSTALLATION TORQUE SHALL BE REMOVED AND REPLACED WITH THE CONCRETE FOUNDATION WITHOUT ANY ADDITIONAL COST.



**GROUND FIELD DETAIL**  
(N.T.S.)  
THE CONTRACTOR SHALL VERIFY EXACT LOCATION WITH THE ENGINEER



**GROUND WELL DETAIL**  
(N.T.S.)

**GROUND ROD ARRAY**

**HELIX FOUNDATION SIZE**

POLE MOUNTING HEIGHT	BOLT CIRCLE "d"	SHAFT LENGTH "A"		SHAFT DIA. "D"
		ON FLAT GROUND	ON 2:1 OR STEEP SLOPE	
30'	11.5"	8'-0"		8"
40'	15"	8'-0"		8"

**METAL FOUNDATION METAL**

<p><b>Sunjoy Inc.</b> Area Lighting</p> <p>212 TIMBERCREST DRIVE SCHAUMBURG, ILLINOIS 60193-1572</p>	<p>McHENRY COUNTY DIVISION OF TRANSPORTATION CITY OF CRYSTAL LAKE INTERSECTION OF GOLF COURSE ROAD WITH ACKMAN ROAD</p> <p><b>POLE FOUNDATION, METAL AND GROUND ROD ARRAY DETAILS</b></p> <p>SCALE: NONE</p> <p>DRAWN BY: HKO CHECKED BY: JS</p>
--	--