

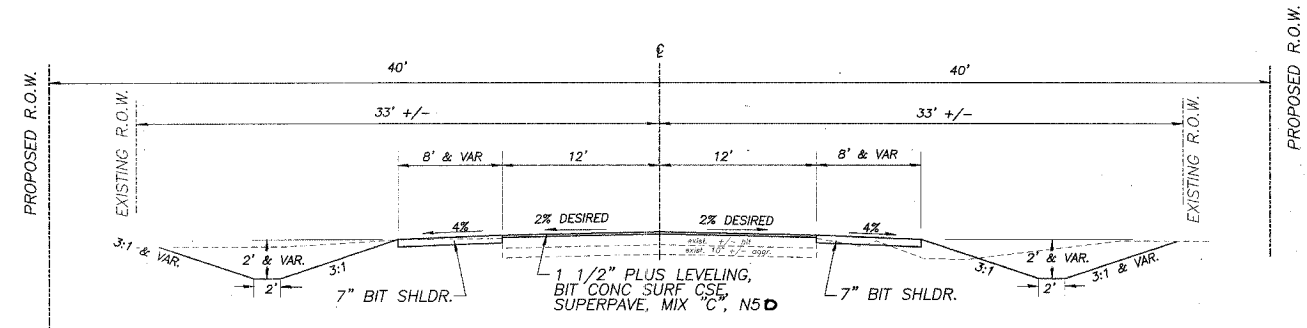
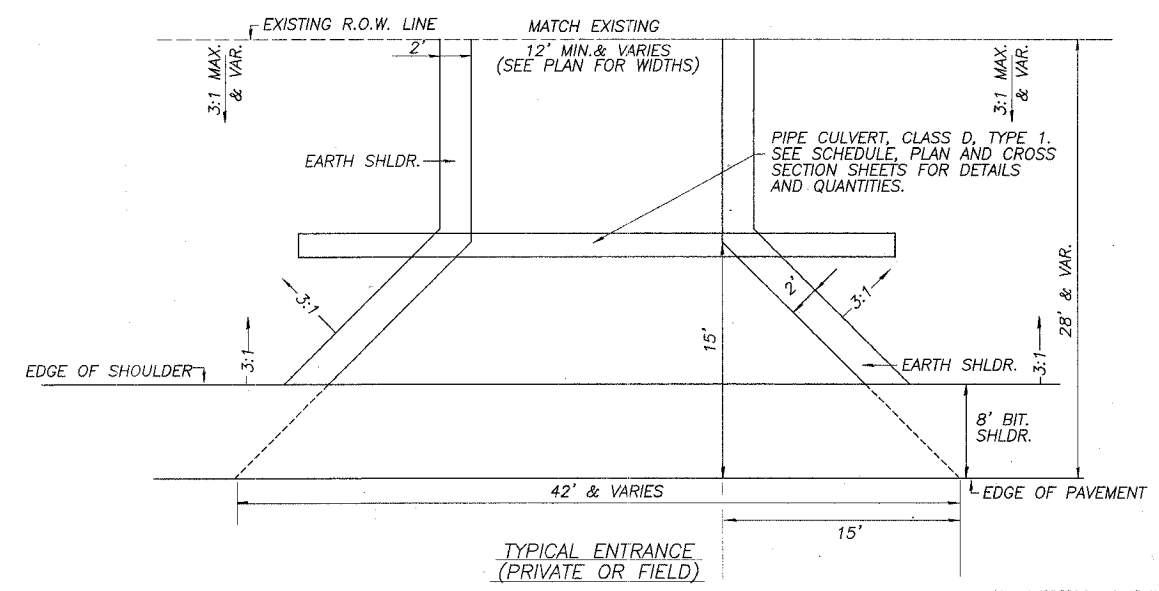
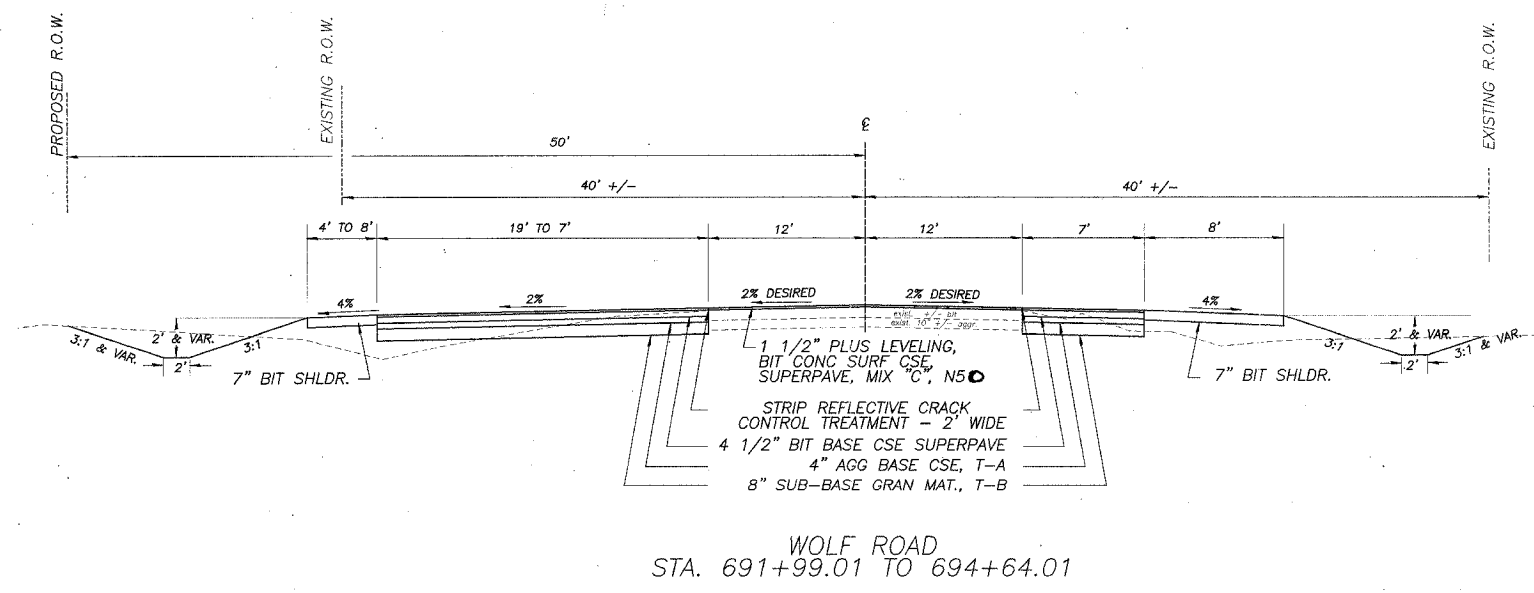
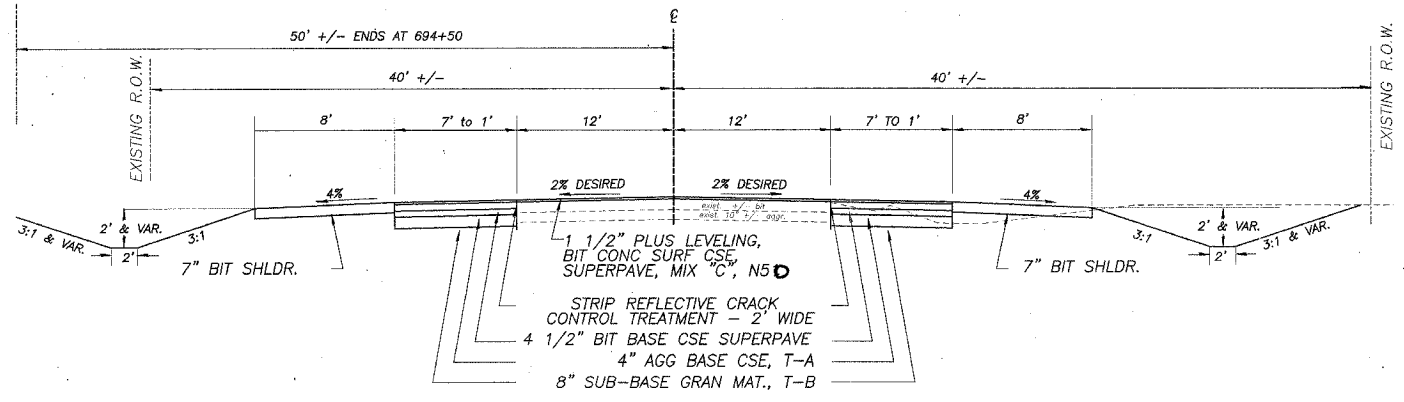
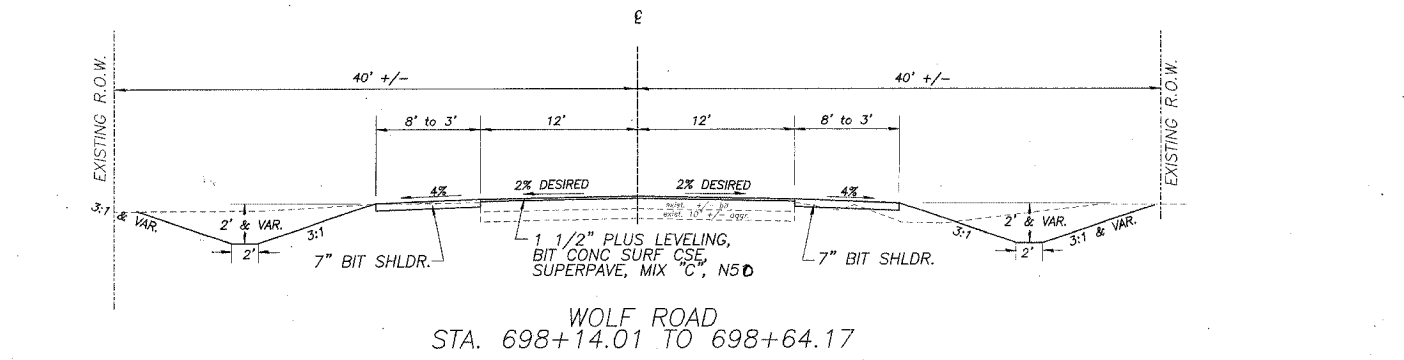
TYPICAL SECTIONS

ROUTE NO.	SECTION	COUNTY	TOTAL SHEETS	SHEET NO.
S.B. 1: F.A. 224	04-00137-03-FP	HENRY	31	4
FED. ROAD DIST. NO. 7		ILLINOIS	FED. AID PROJECT SP-084107	

CONSTRUCT COMMERCIAL ENTRANCES WITH 10" AGGREGATE BASE COURSE, TYPE A (CA-6) AND 3" BIT CONC SURFACE COURSE, SUPERPAVE, MIX "C", N50.

CONSTRUCT PRIVATE ENTRANCES WITH 8" AGGREGATE BASE COURSE, TYPE A (CA-6) AND 3" BIT CONC SURFACE COURSE, SUPERPAVE, MIX "C", N50 (SAME FOR MAILBOX TURNOUT)

CONSTRUCT FIELD ENTRANCES WITH 10" AGGREGATE BASE COURSE, TYPE A (CA-6).



ALL WIDENING SAME DEPTH & MATERIAL AS WOLF ROAD THRU RETURNS

MIXTURE U. E(S)	SURFACE	SHOULDER	BIT BASE CSE
PG:	PG 58-22	PG 58-22	PG 58-22
RAP%: (MAX)	15	30	50
DESIGN AIR VOIDS	3 @ N50	3 @ N50	2 @ N50
MIXTURE COMPOSITION (GRADATION MIXTURE)	IL 9.5 OR 12.5	IL 9.5 OR 12.5	BAM
FRICTION AGGREGATE	C	C	N/A
20 YEAR ESAL	0.185	N/A	N/A