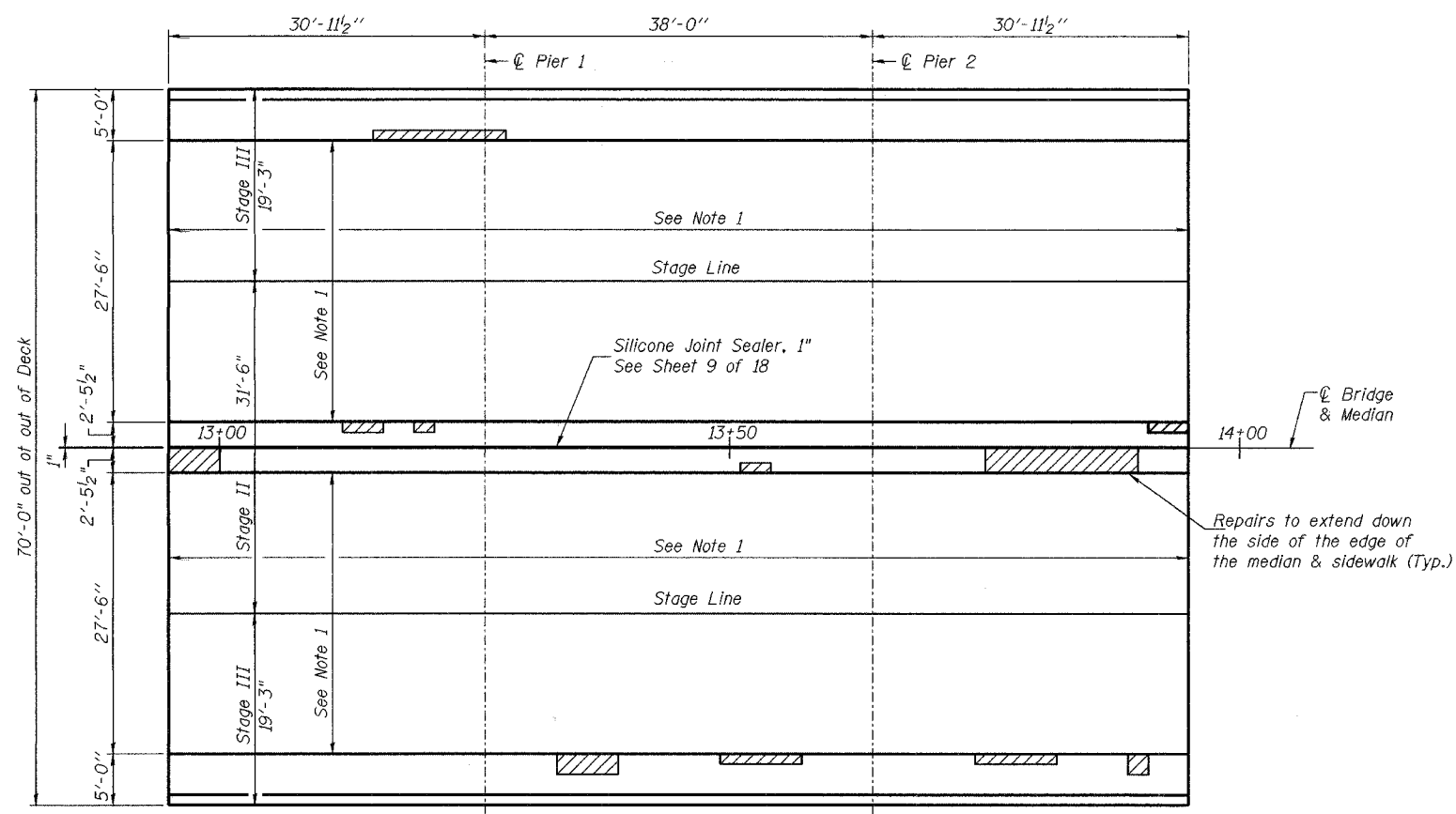
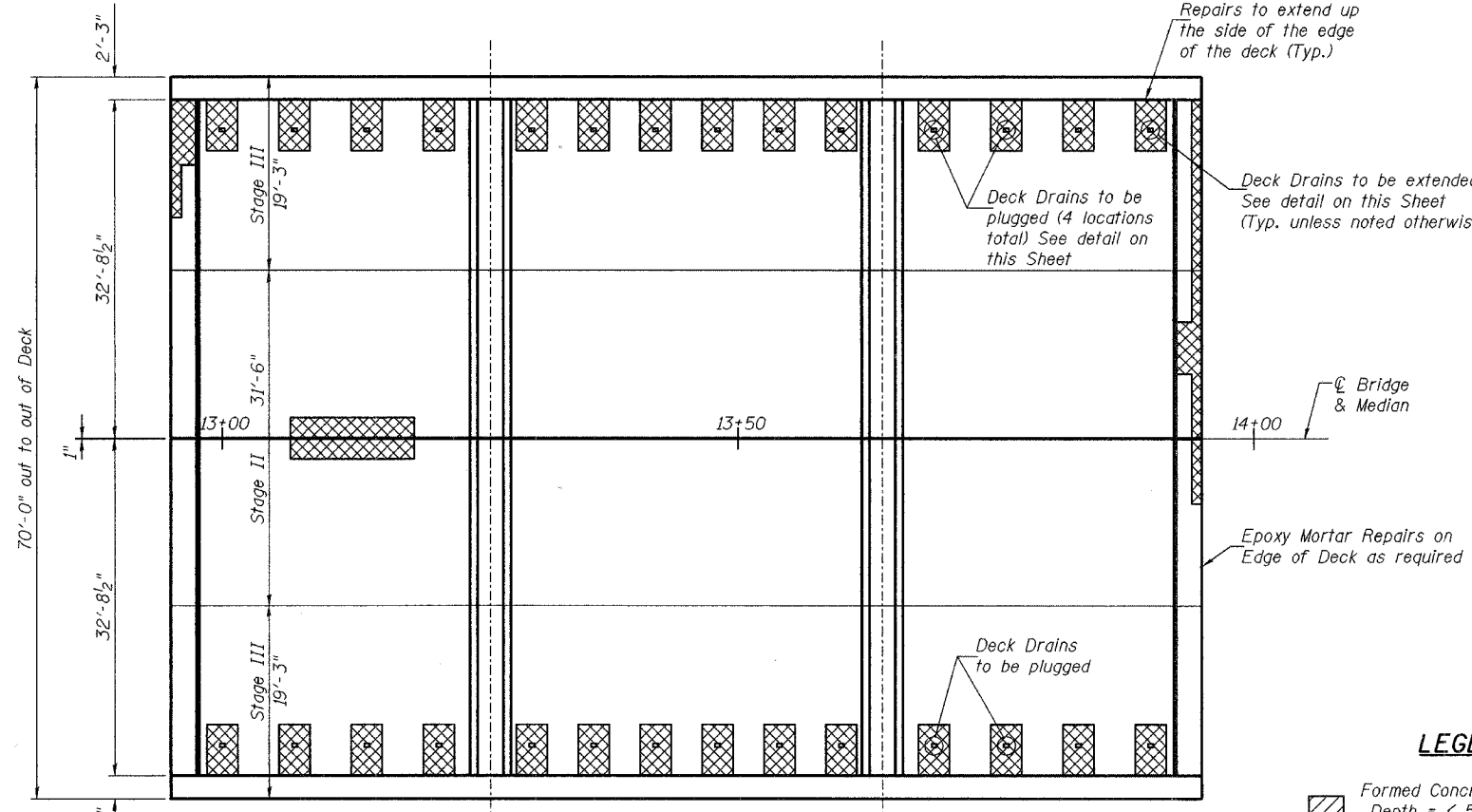


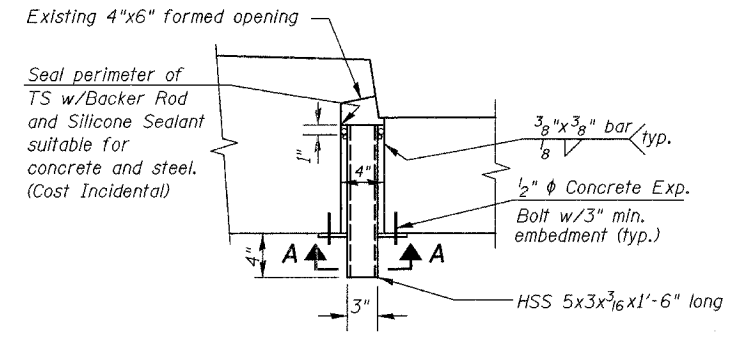
ROUTE NO.	SECTION	COUNTY	SHEETS	TOTAL SHEETS
F.A.U. 5102		WINNEBAGO	18	7
FED. ROAD DIST. NO. 7	ILLINOIS		FED. AID PROJECT BHM-5099(64)	
03-00336-00-BR				



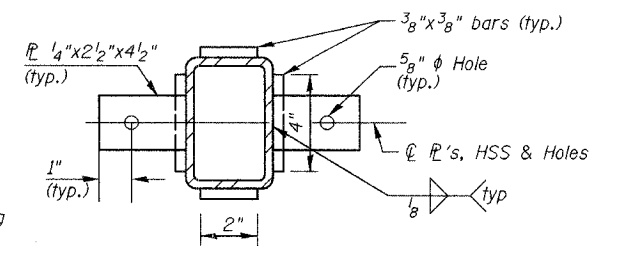
DECK PLAN - TOP



DECK PLAN - BOTTOM

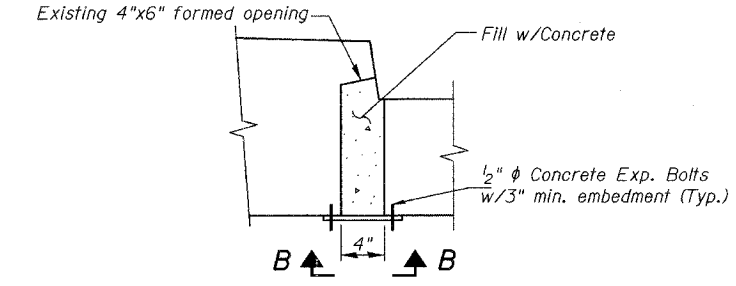


SECTION THRU DECK DRAINS

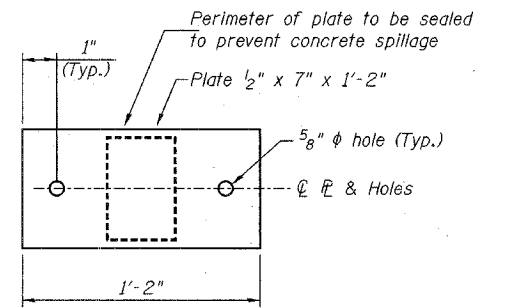


SECTION A-A

DECK DRAIN EXTENSION DETAIL  
(24 Total)



SECTION THRU DECK DRAINS



SECTION B-B

PLUG DECK DRAIN DETAIL  
(4 Total)

NOTES

1. Pay Limits of Bridge Deck Hydro-Scarification, 1.5" and Bridge Deck Microsilica Concrete Overlay, 2.25".
2. Stage I shall consist of jacking and removing the existing roller bearings and installing the new elastomeric bearing assemblies at both abutments.
3. Epoxy Mortar Repairs at or near the existing roller bearings shall be made prior to the installation of the new elastomeric bearings. The new elastomeric bearings shall not be installed until the epoxy mortar has achieved a compressive strength of 3,500 psi and has cured for 3 days.

LEGEND

- Formed Concrete Repair  
Depth = < 5"; Area = 140 Sq. Ft.  
Depth > 5"; Area = 60 Sq. Ft.
- Epoxy Mortar Repair (Depth less than 1/2")  
Area = 933 Sq. Ft.

Corporate License Number 184-001-084

**SUPERSTRUCTURE REPAIR**  
CENTRAL AVENUE BRIDGE  
OVER NORTH FORK OF KENT CREEK  
F.A.U. ROUTE 5102  
SECTION 03-00336-00-BR  
WINNEBAGO COUNTY  
STRUCTURE NUMBER 101-3023  
STATION 13+45

© Copyright Hanson Professional Services Inc. 2005

JOB NO. 03R1809  
DATE 4/28/06

11/9/05 AM  
 01/30/2006  
 I:\03\085\03R1809\Struct\Sheet\5-007-SuperStruct-Repairs.dgn  
 LAYOUT: FILM 11/18/05  
 DRAWN: RHM 12/09/05  
 REVIEWED: FILM 12/27/05