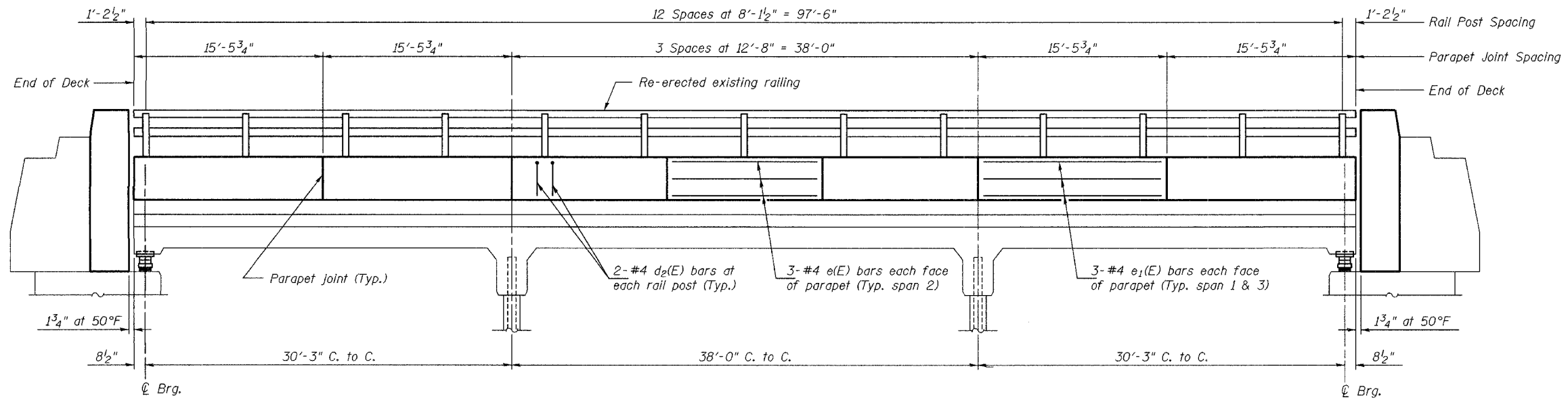
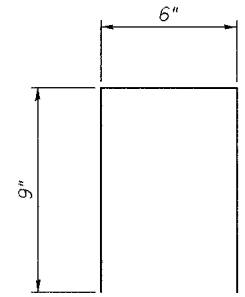


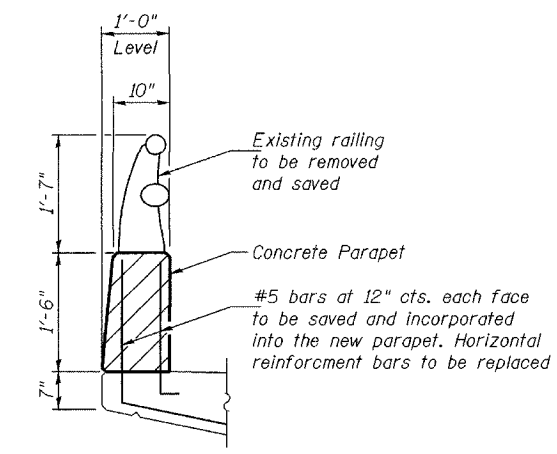
ROUTE NO.	SECTION	COUNTY	STATION	POST
F.A.U. 5102		WINNEBAGO	18	10
FED. ROAD DIST. NO. 7	ILLINOIS	FED. AID PROJECT	BHM-5099(64)	
* 03-00336-00-BR				



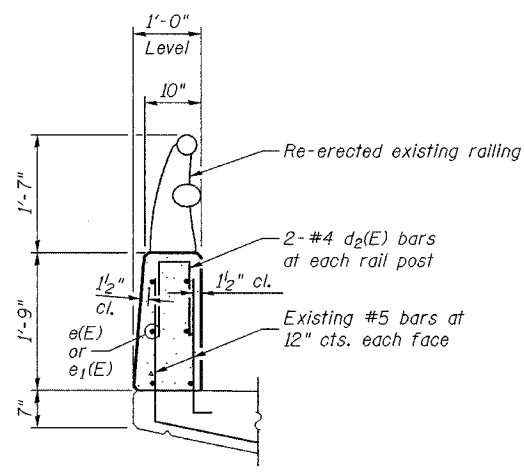
**ELEVATION FOR PARAPET JOINT AND RAIL POST SPACING**



**BAR d<sub>2</sub>(E)**

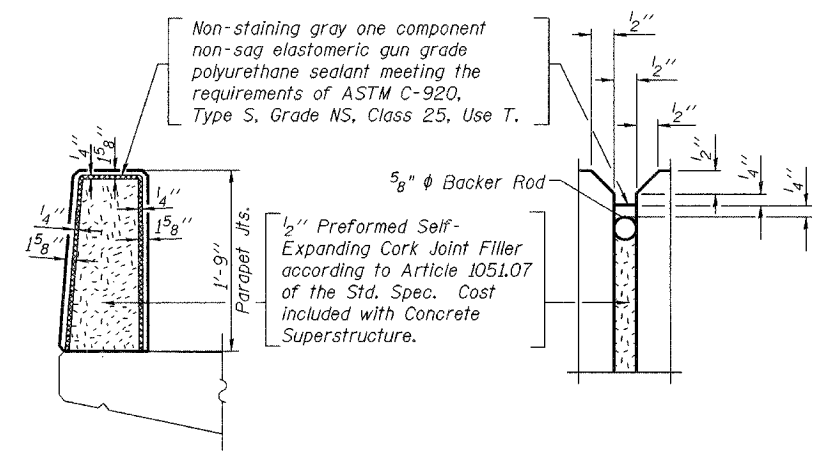
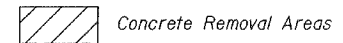


**EXISTING PARAPET SECTION**



**PROPOSED PARAPET SECTION**

**LEGEND**



**PARAPET JOINT DETAILS**

**BILL OF MATERIAL  
PARAPET (BOTH SIDES)**

Bar	No.	Size	Length	Shape
d <sub>2</sub> (E)	52	#4	2'-0"	□
e(E)	36	#4	12'-5"	—
e <sub>1</sub> (E)	48	#4	15'-3"	—
Concrete Superstructure			Cu. Yd.	11.8
Reinforcement Bars, Epoxy Coated			Pounds	860
Remove and Re-Erecting Existing Railing			Foot	200
Concrete Removal			Cu. Yd.	10.2

Corporate License Number 184-001-084

**CONCRETE PARAPET & ALUMINUM RAILING**

**CENTRAL AVENUE BRIDGE  
OVER NORTH FORK OF KENT CREEK  
F.A.U. ROUTE 5102  
SECTION 03-00336-00-BR  
WINNEBAGO COUNTY  
STRUCTURE NUMBER 101-3023  
STATION 13+45**

© Copyright Hanson Professional Services Inc. 2005



JOB NO.  
03R1809  
DATE  
4/28/06

11/17/31 AM  
01/30/2006  
I:\03\00336\00\Bridges\Struct\Sheet\CS-00-Parapet.dgn

LAYOUT	FLN	12/09/05
DRAWN	MGM	12/12/05
REVIEWED	FLN	12/27/05