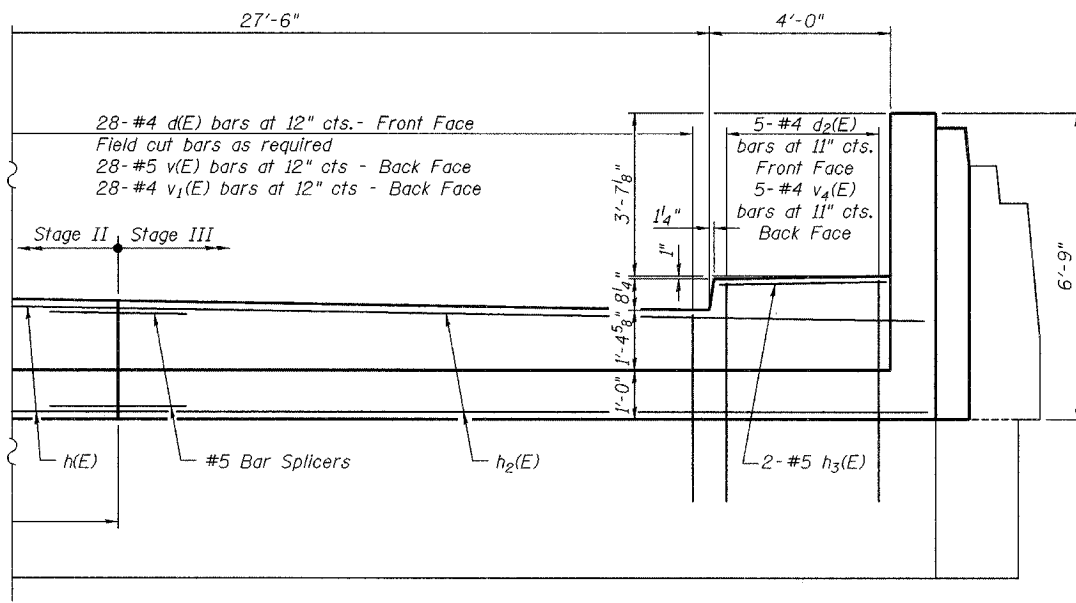
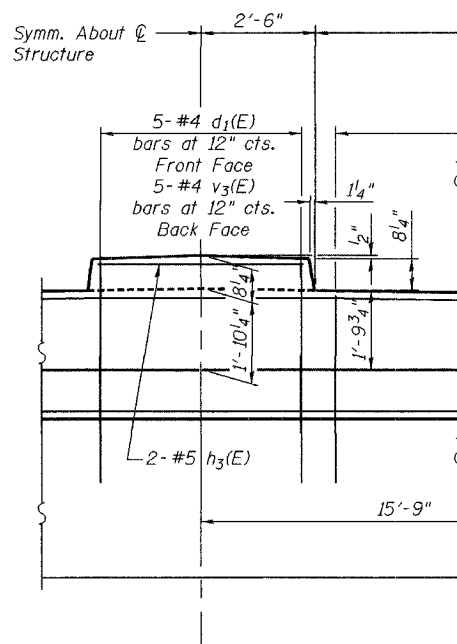
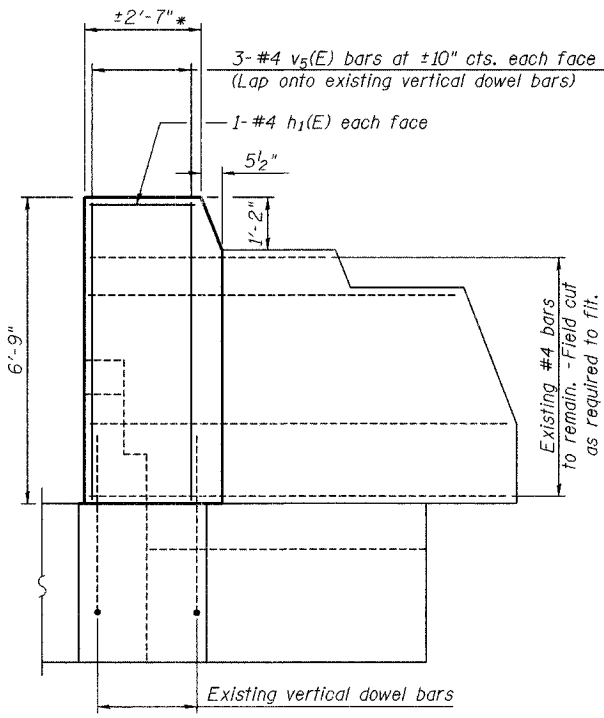


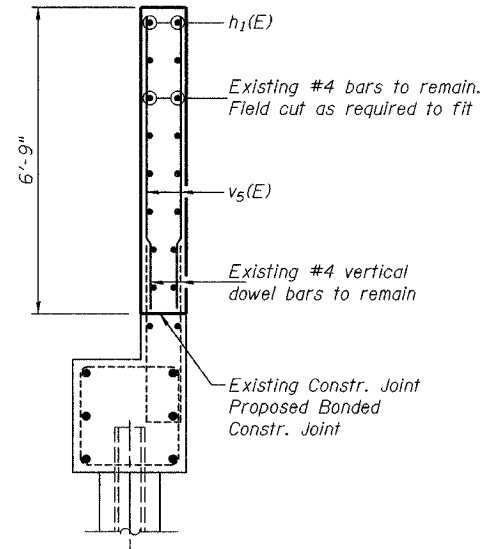
ROUTE NO.	SECTION	COUNTY	TOWN	SHEET
F.A.U. 5102	*	WINNEBAGO	18	12
FED. ROAD DIST. NO. 7	ILLINOIS	FED. AID PROJECT	BHM-5099(64)	
* 03-00336-00-BR				



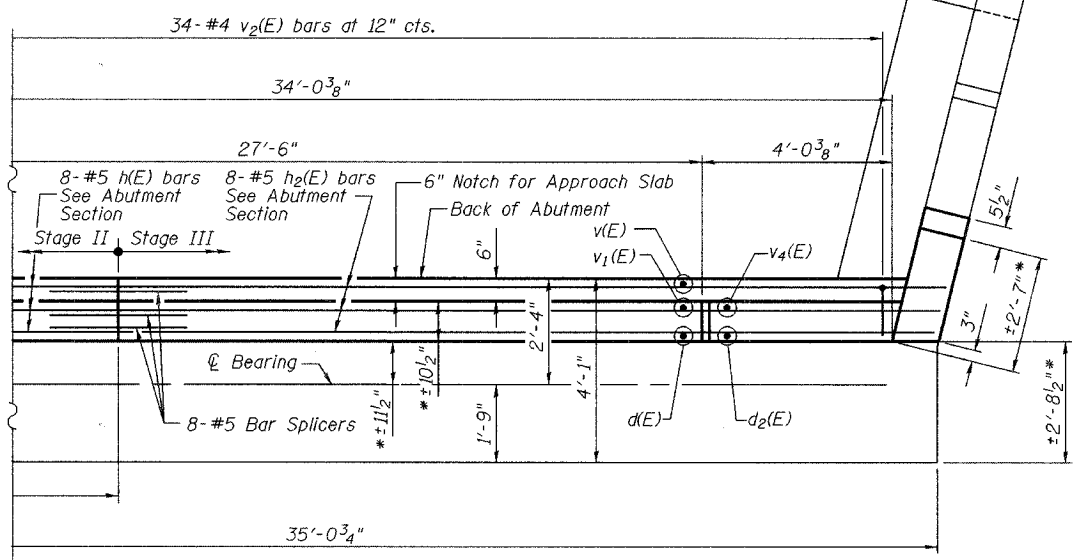
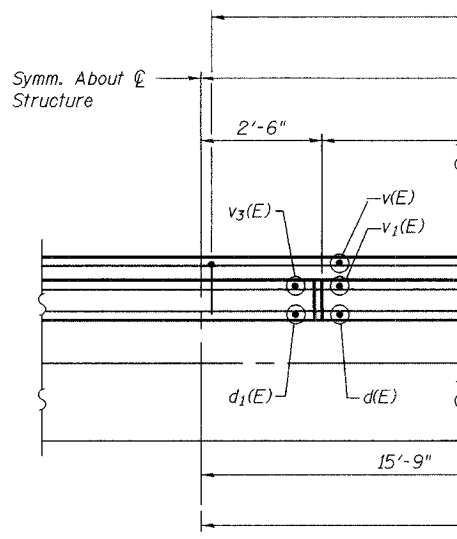
ELEVATION



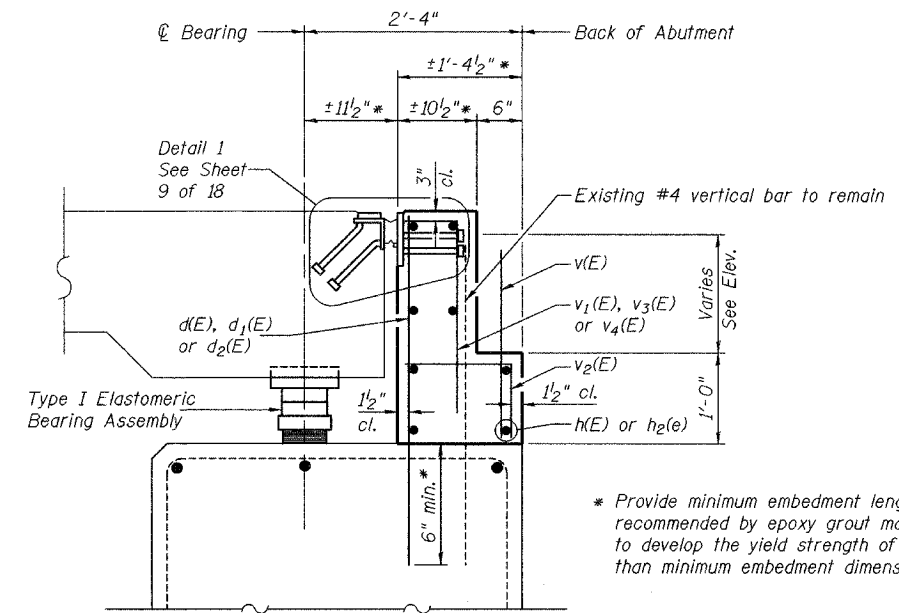
WING WALL ELEVATION



WING WALL SECTION



PLAN - TOP VIEW



ABUTMENT SECTION

MIN. LAP

- #4 bars 1'-4" (Vertical)
- #4 bars 1'-11" (Horizontal)
- #5 bars 1'-8" (Vertical)
- #5 bars 2'-5" (Horizontal)

NOTES

* Dimensions to be adjusted as required to provide 1 3/4" gap at 50°F. per Detail 1 on Sheet 9 of 18.

Reinforcement bars designated (E) shall be epoxy coated.

Work this sheet with sheet 13 of 18.

* Provide minimum embedment length recommended by epoxy grout manufacturer to develop the yield strength of bars, if greater than minimum embedment dimension indicated.

Corporate License Number 184-001-084

SUBSTRUCTURE REPAIRS

**CENTRAL AVENUE BRIDGE
OVER NORTH FORK OF KENT CREEK
F.A.U. ROUTE 5102
SECTION 03-00336-00-BR
WINNEBAGO COUNTY
STRUCTURE NUMBER 101-3023
STATION 13+45**

© Copyright Hanson Professional Services Inc. 2005



JOB NO.
03R1809
DATE
4/28/06

11/18/05
 07/30/2006
 I:\03\085\03R1809\Struct\Sheet\5-02-Substruct-Repair.dgn
 LAYOUT
 DRAWN
 REVIEWED