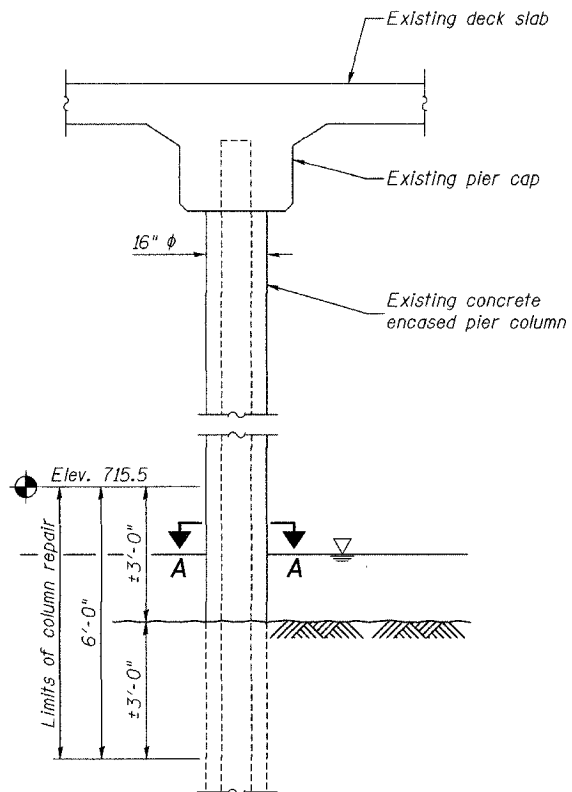
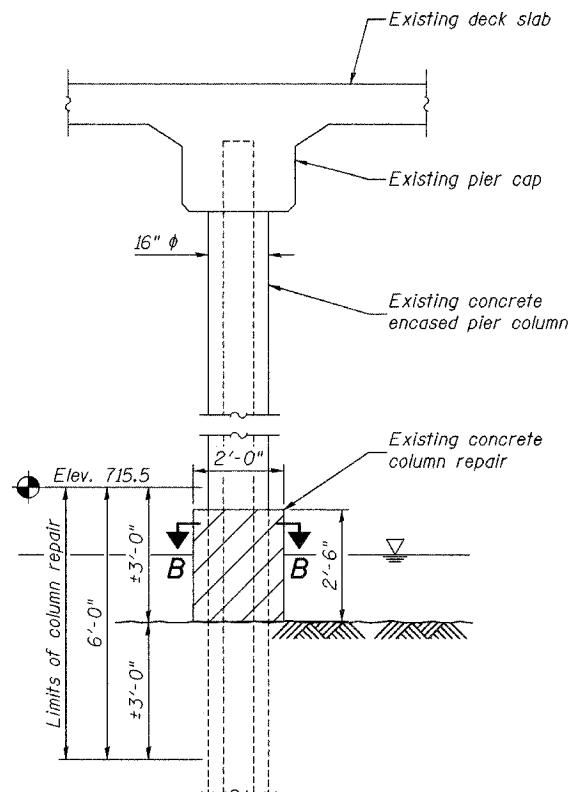


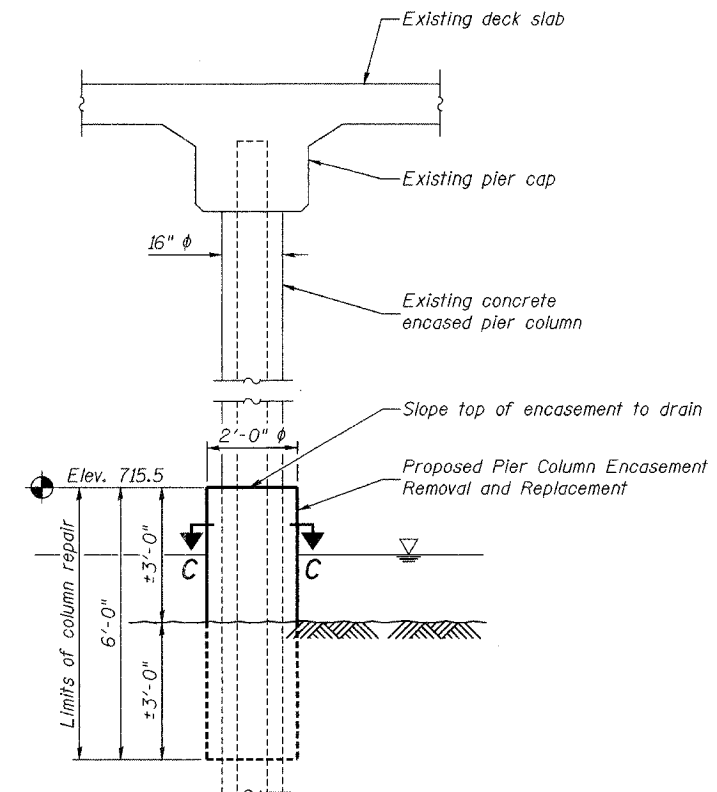
ROUTE NO.	SECTION	COUNTY	SHEET	TOTAL SHEETS
F.A.U. 5102	*	WINNEBAGO	18	14
FED. ROAD DIST. NO. 7	ILLINOIS	FED. AID PROJECT	BHM-5099(64)	
* 03-00336-00-BR				



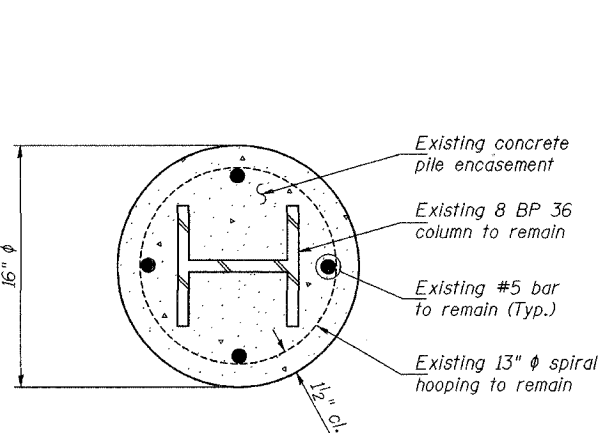
**TYPICAL EXISTING SOUTH PIER COLUMN ELEVATION**



**EXISTING SOUTH PIER EAST COLUMN ELEVATION**

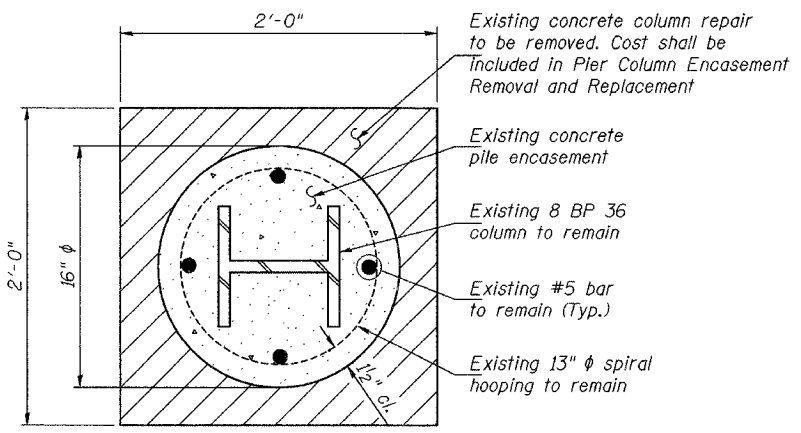


**TYPICAL PROPOSED SOUTH PIER COLUMN ELEVATION**



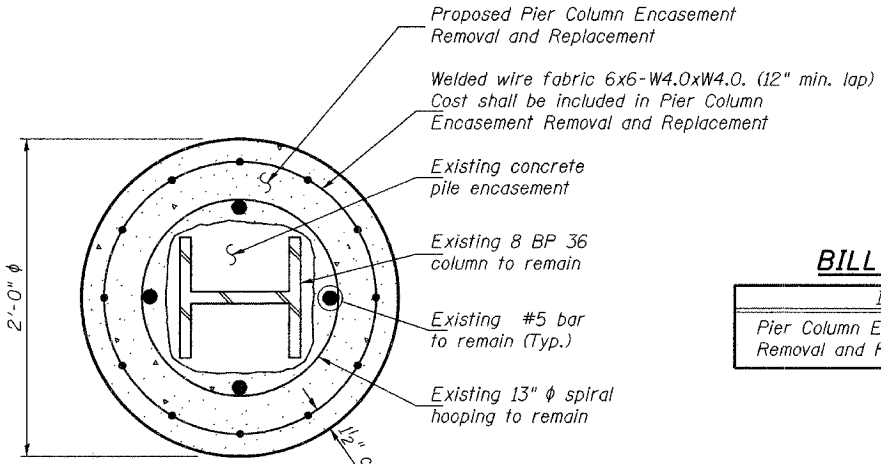
**SECTION A-A**

**Note:**  
Contractor shall remove all unsound concrete within the column repair limits. Engineer shall verify that all unsound concrete has been removed prior to placement of the proposed encasement. One inch minimum removal is required in all areas.



**SECTION B-B**

**Note:**  
Contractor shall remove all unsound concrete within the column repair limits. Engineer shall verify that all unsound concrete has been removed prior to placement of the proposed encasement. One inch minimum removal is required in all areas.



**SECTION C-C**

**NOTE:**  
Staff Gauge on the existing concrete pile encasement shall be removed and reinstalled after repairs are made. The cost for this work shall be included in Pier Column Encasement Removal and Replacement

**BILL OF MATERIAL**

Item	Unit	Quantity
Pier Column Encasement Removal and Replacement	Foot	72

Corporate License Number 184-001-084  
**SOUTH PIER COLUMN REPAIR DETAILS**  
 CENTRAL AVENUE BRIDGE  
 OVER NORTH FORK OF KENT CREEK  
 F.A.U. ROUTE 5102  
 SECTION 03-00336-00-BR  
 WINNEBAGO COUNTY  
 STRUCTURE NUMBER 101-3023  
 STATION 13+45

© Copyright Hanson Professional Services Inc. 2005

JOB NO. 03R1809  
DATE 4/28/06

11/06/03 AM  
 01/30/2006  
 I:\03\0850\03R1809\Struct\Sheet\AS-04-Pier-Repair.dgn  
 LAYOUT MKR 12/05/05  
 DRAWN NGM 12/05/05  
 REVIEWED FLN 12/27/05