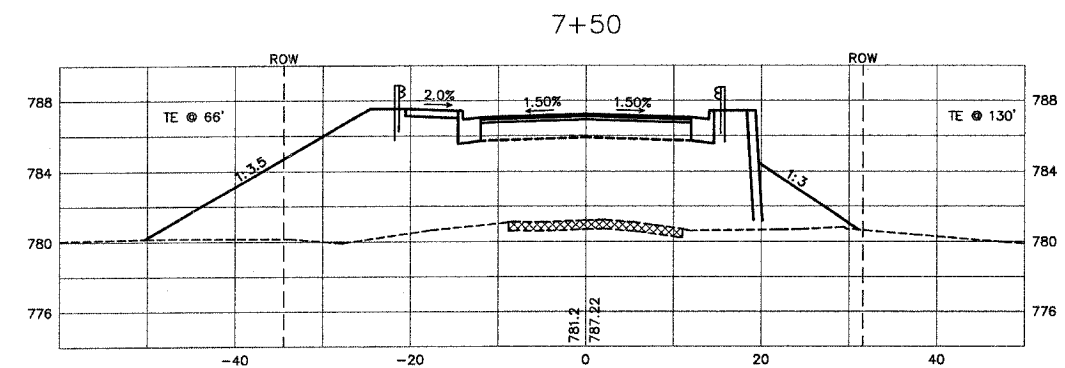
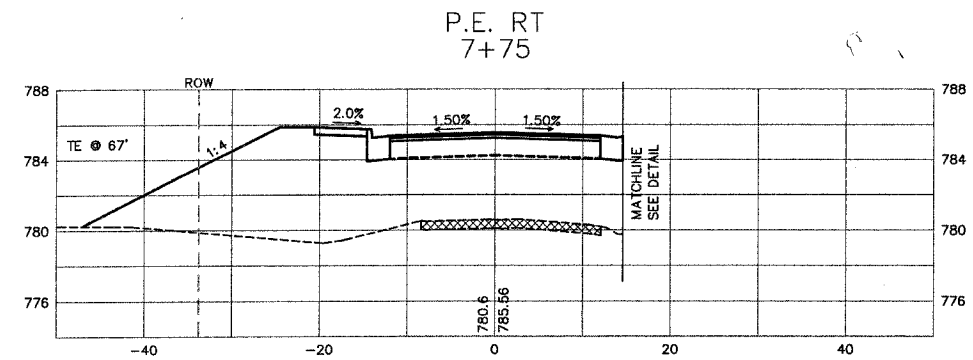
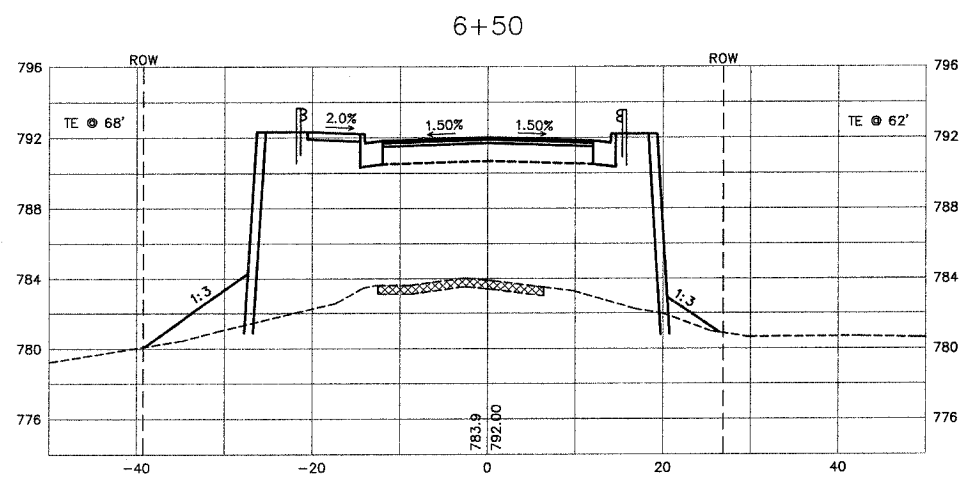
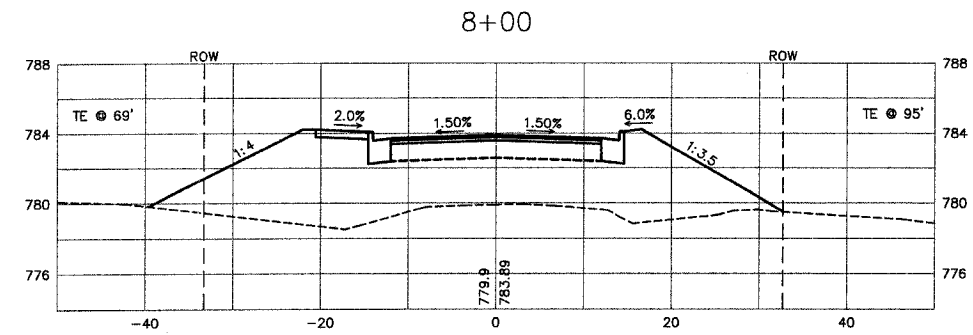
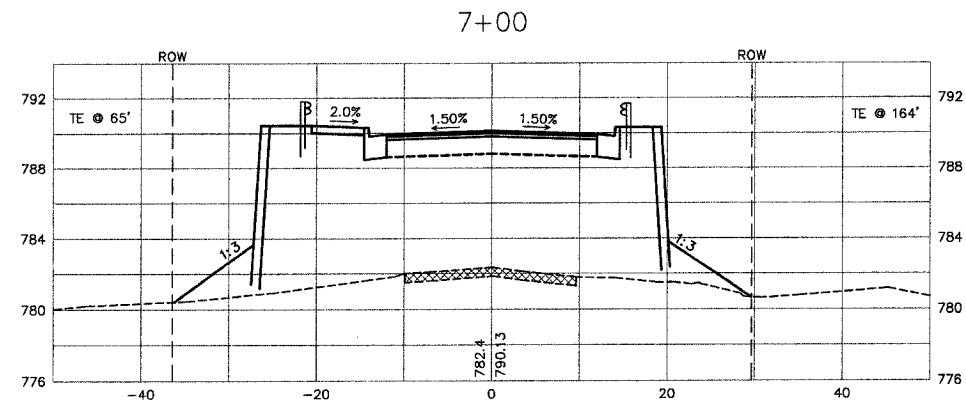


ROUTE NO.	SECTION	COUNTY	TOTAL SHEETS	SHEET NO.
MS 1090	*	BUREAU COUNTY	27	17
SECTION 01-00008-00-BR		ILLINOIS	FED. AID PROJECT	



STA. 4+49.06 TO STA. 6+21.65  
BRIDGE OMISSION

**McCLURE ENGINEERING ASSOCIATES, INC.**  
 1138 COLUMBUS STREET OTTAWA, ILLINOIS 61350  
 PHONE (815) 433-2080 FAX (815) 433-9930  
 DESIGN FIRM LICENSE# ILLINOIS #184-000816  
 COPYRIGHT 2006 BY McCLURE ENGINEERING ASSOCIATES, INC.

REVISIONS	
NAME	DATE

**CROSS SECTIONS  
STA. 6+50 TO STA. 8+00**

SCALE: H: 10' V: 5'  
 DRAWN BY: DAC/SAS  
 DATE: FEBRUARY 9, 2006 CHECKED BY: JAK/SAS  
 FILE: M:\DRWGS\BUDA\HIGH ST. BRIDGE\X-SECTIONS-12-05.DWG