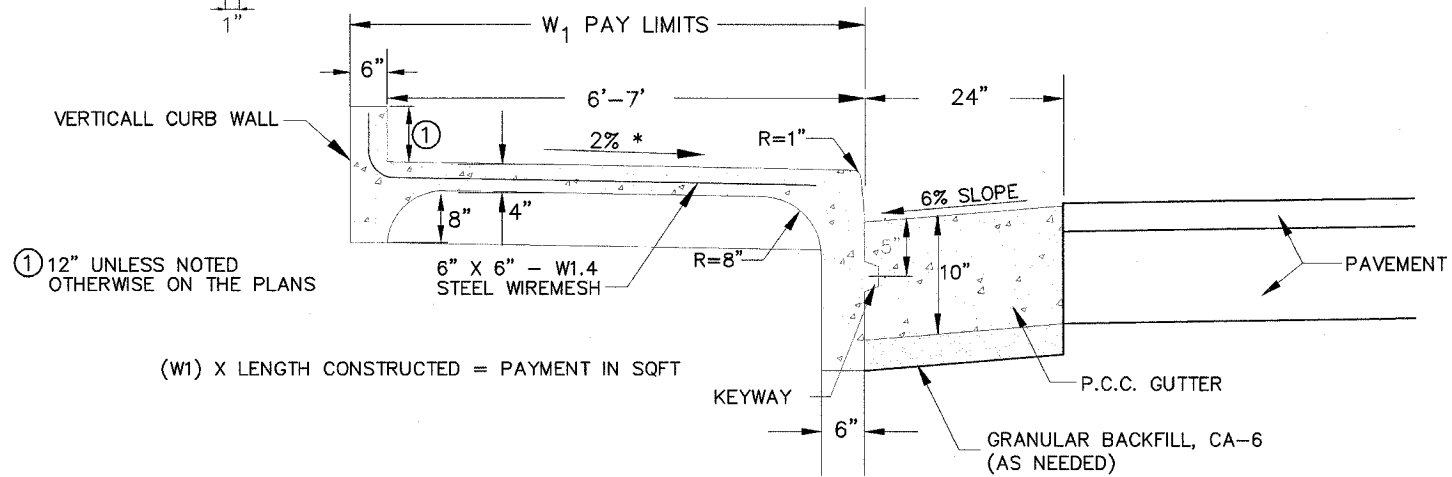
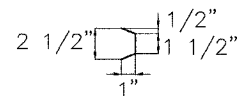


F.A. RTE.	SECTION	COUNTY	CONTRACT NO.
FAU 6579	02-00065-00-PV	PEORIA	89358
FED. RD. DIST. NO.	ILLINOIS PROJECT	NO. M 503 102	

KEYWAY DETAIL



① 12" UNLESS NOTED OTHERWISE ON THE PLANS

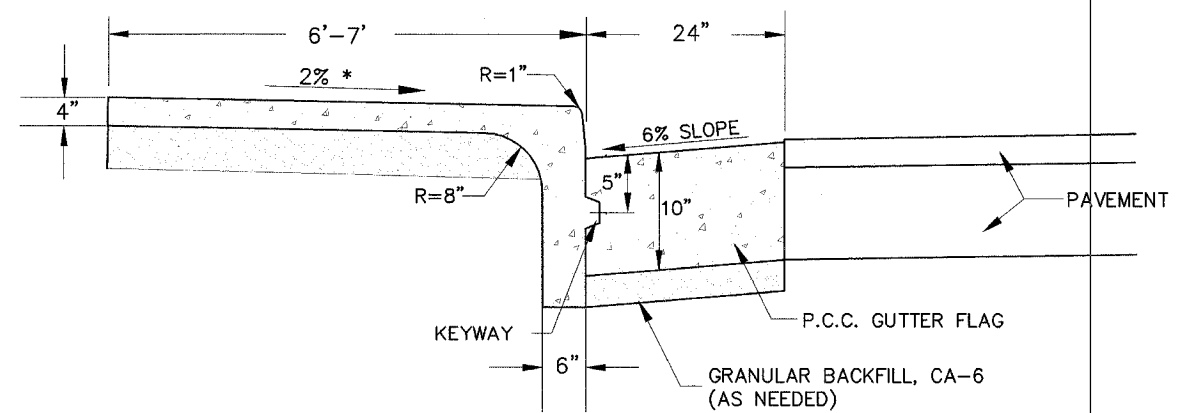
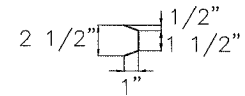
(W1) X LENGTH CONSTRUCTED = PAYMENT IN SQFT

*UNLESS OTHERWISE SHOWN ON CROSS SECTIONS

DETAIL COMBINATION CURB AND SIDEWALK, 4" (SPECIAL) WITH GUTTER DETAIL

SCALE: N.T.S.

KEYWAY DETAIL



*UNLESS OTHERWISE SHOWN ON CROSS SECTIONS

DETAIL COMBINATION CURB AND SIDEWALK, 4" WITH GUTTER DETAIL

SCALE: N.T.S.

I:\BART0001.DWG\DET-INS22.DWG 1:1 D

SHEET
44
OF
83

<p>STS CONSULTANTS 111 N. Jefferson Ave. Peoria, Illinois 61602 PH: (309) 76-8464 FAX: (309) 76-5445 IL Design Firm Reg. No. 184-001518</p>	LAFAYETTE AVE. BARTONVILLE IL.		MISCELLANEOUS DETAILS		SURVEY	CHECKED	ISSUE DATE
					DESIGN	APPROVED	PRELIM. DATE
					DRAWN		PROJECT NO.
							BART0001