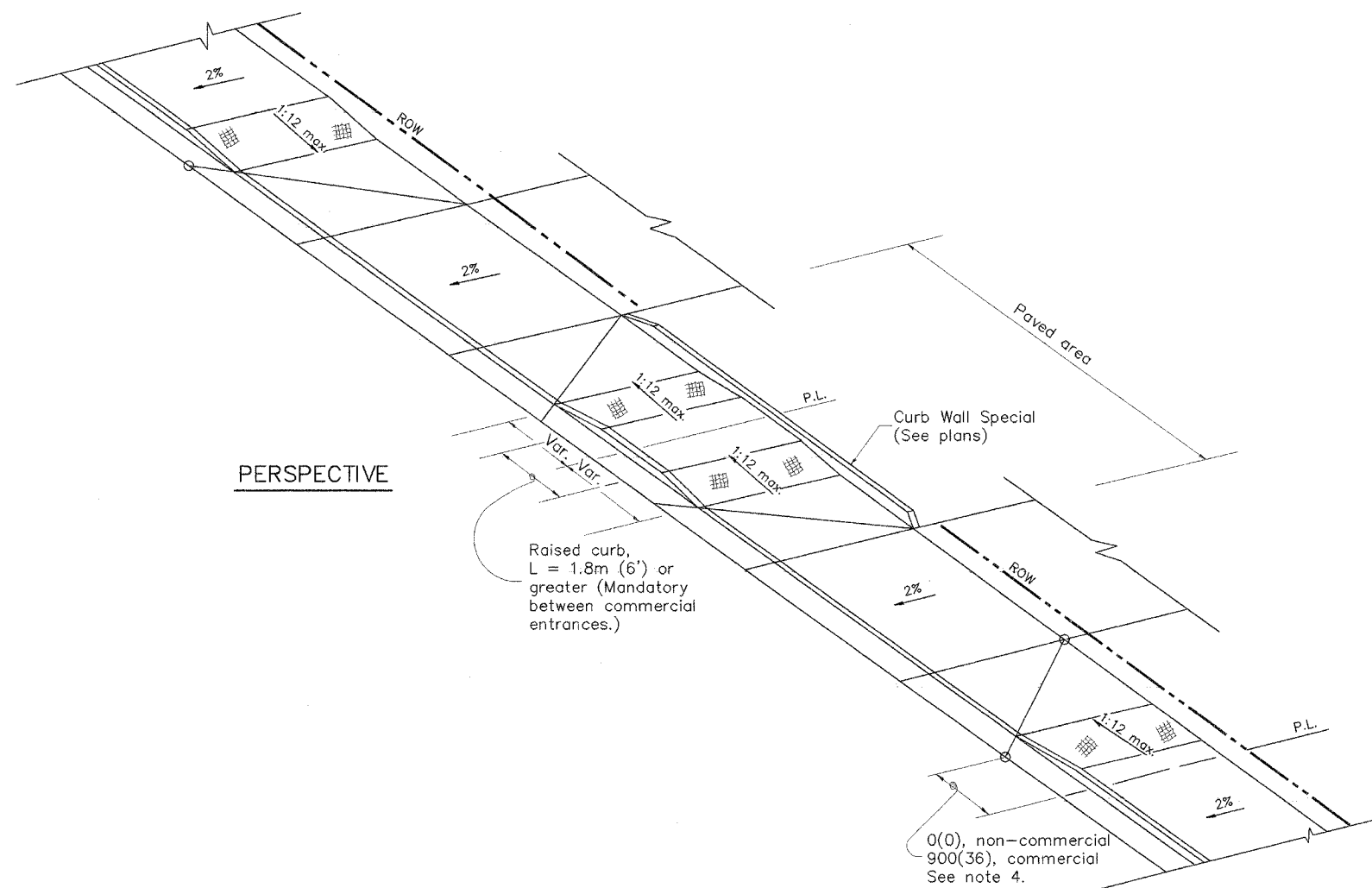


F.A. RTE.	SECTION	COUNTY	TOTAL SHEETS	SHEET NO.
FAU 6579	02-00065-00-PV	FEORIA	83	75
FED. ROAD DIST. NO.	ILLINOIS	FED. AID PROJECT		

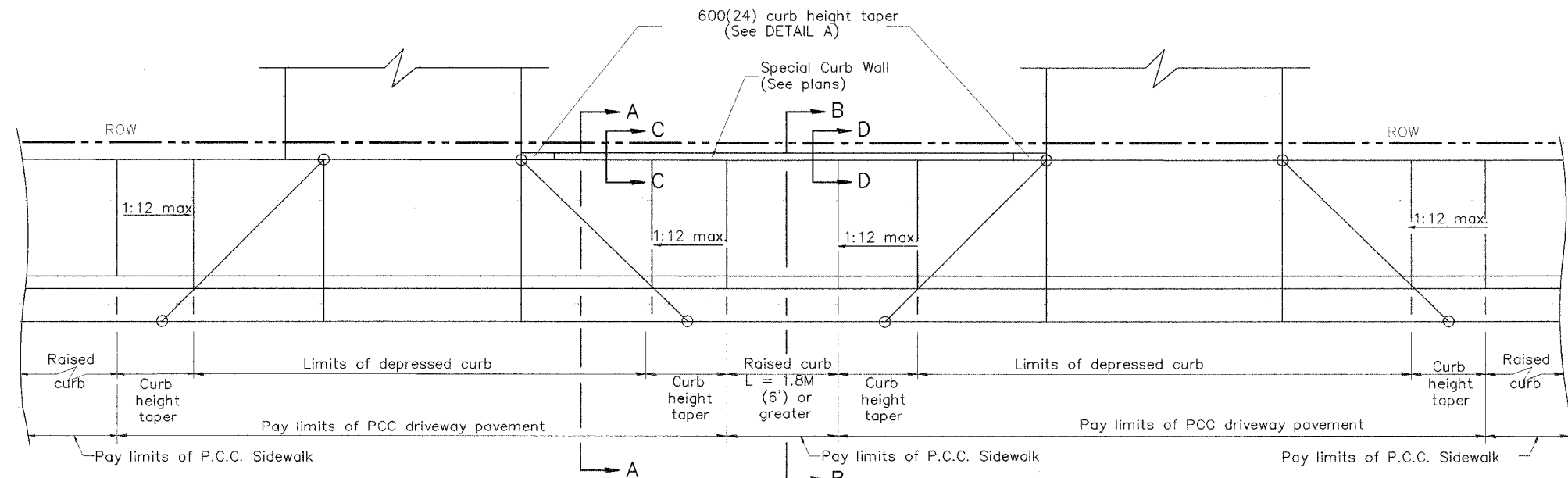
89358



PERSPECTIVE

GENERAL NOTES

1. Refer to State Standard 424001 for texturing and other disabled accessibility design elements.
2. The sidewalk area located within the pay limits of P.C.C. Driveway Pavement will be of the same thickness and construction as the P.C.C. Driveway Pavement.
3. Combination Concrete Curb & Gutter shall be depressed in accordance with Standard 606001.
4. Exceptions to the radius flare/property line relationship are as shown in the plans for common entrances, with jointly executed access permits.



PLAN

All dimensions are in millimeters (inches) unless otherwise noted.

ILLINOIS DEPARTMENT OF TRANSPORTATION	
DISTRICT CADD STANDARD	
URBAN ENTRANCES SPECIAL DESIGN FOR CLOSELY SPACED ENTRANCES (WITH PAVEMENT EDGE CURB BETWEEN ENTRANCES)	
CADD STD NO. 423116-D4	SHEET 1 OF 2
SCALE: NOT TO SCALE	DRAWN BY: CADD
DATE: \$\$\$DATE\$\$\$	CHECKED BY: T. PICKERING

DATE	REVISIONS	BY
1-1-99	PRENUM. C-103.07, NEW REV. BOX P.	J.A.
2-1-99	CORRECT SHEET 2 TITLE	J.A.

423116-D4 (1)

DESIGNER NOTE  
 1. THIS DRAWING SHOULD BE USED IN CONJUNCTION WITH DISTRICT CADD STD. "URBAN ENTRANCES, ACCESSIBLE TO THE DISABLED, FOR CURBLINE SIDEWALKS."  
 2. THIS DRAWING IS FOR USE WHEN A LENGTH OF RAISED CURB OF L = 1.8M(6') OR GREATER CAN BE OBTAINED BETWEEN ENTRANCES.

\*DGN-ONLY\*

\*DGN-ONLY\*

DISTRICT STANDARD.DWG 1/15/2008 6:17:51 PM