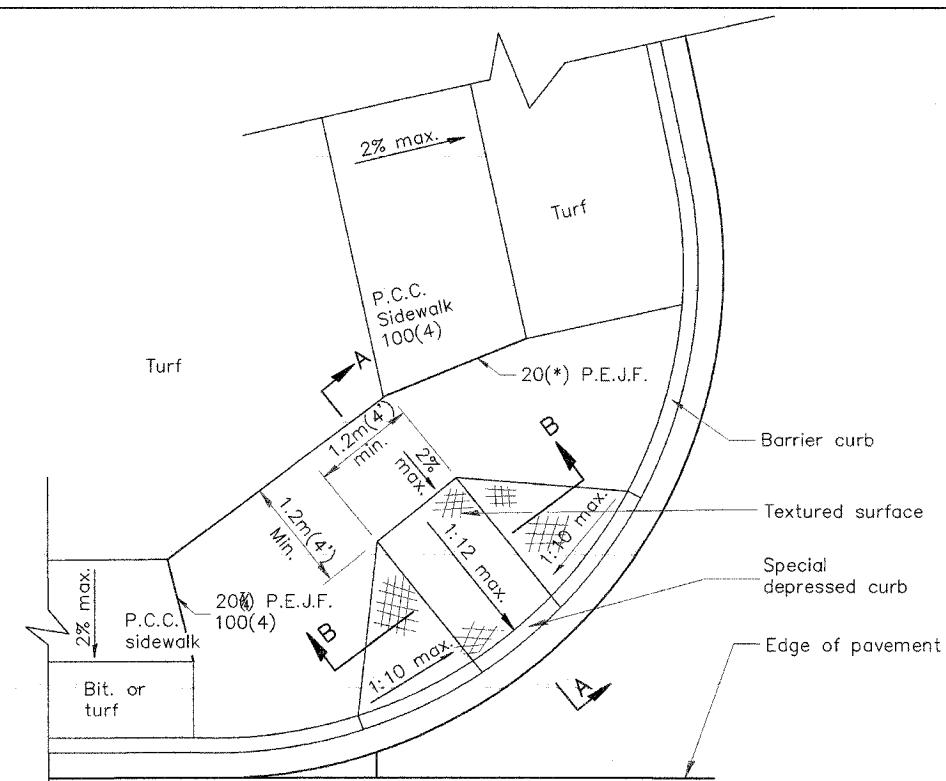


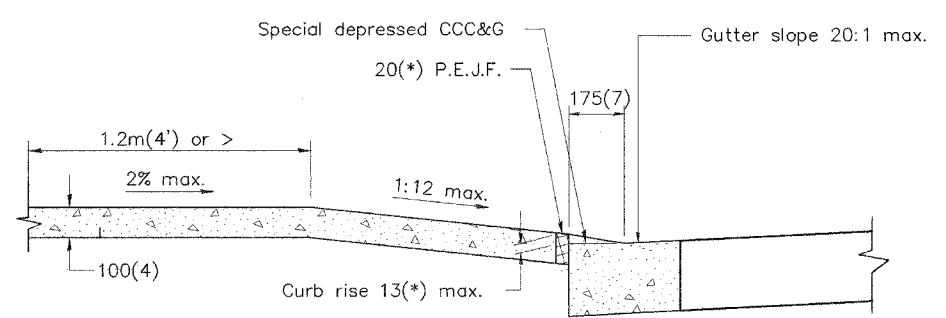
F.A. R.T.E.	SECTION	COUNTY	TOTAL SHEETS	SHEET NO.
FAU 6579	02-00065-00-PV	PEORIA	83	77
FED. ROAD DIST. NO.	ILLINOIS	FED. AID PROJECT		

89358

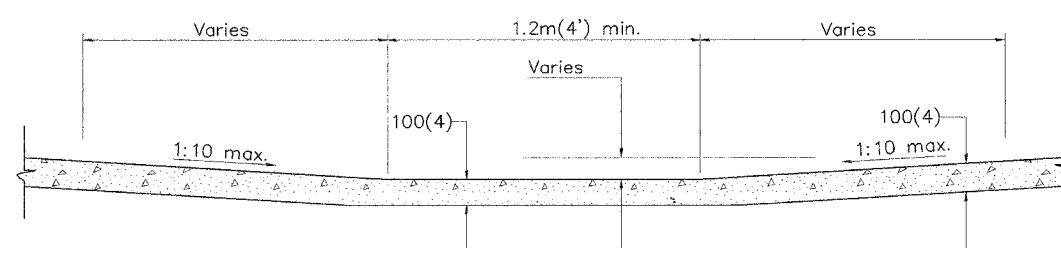


CASE 1

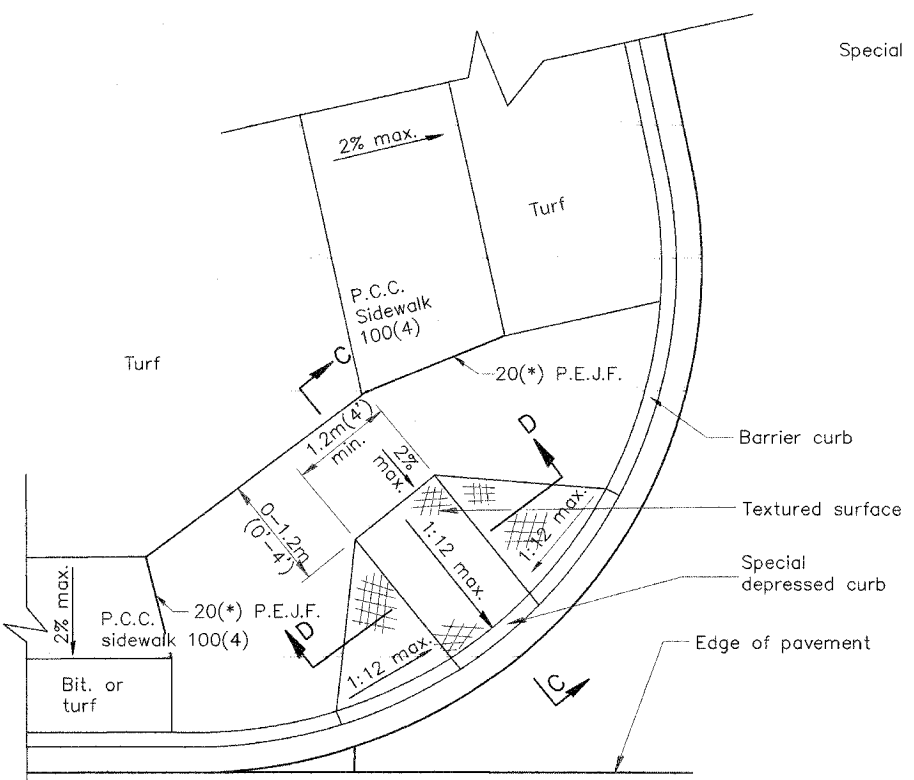
TYPE B RAMP WITH 1.2m(4') OR MORE AT BACK OF RAMP



SEC. A-A

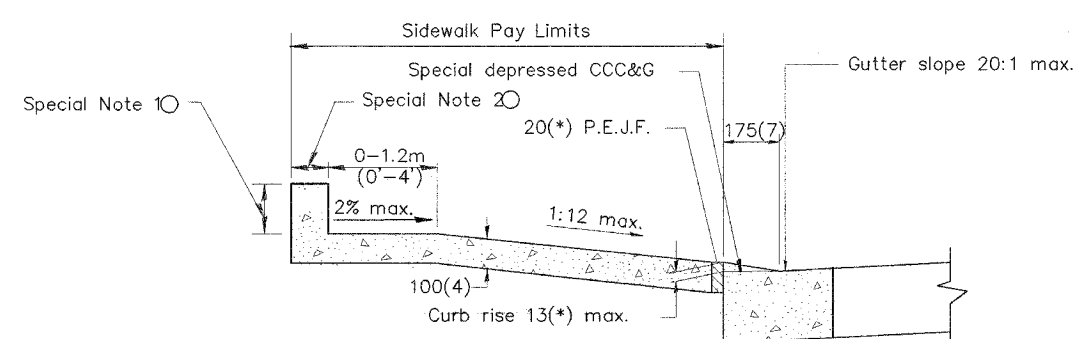


SEC. B-B

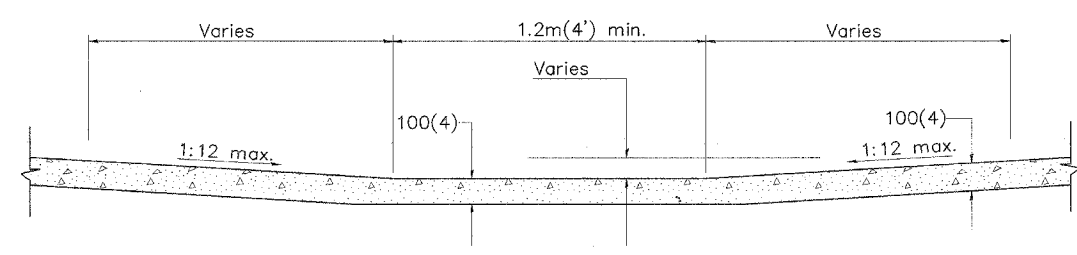


CASE 2

TYPE B RAMP WITH LESS THAN 1.2m(4') AT BACK OF RAMP



SEC. C-C



SEC. D-D

GENERAL NOTES

1. Refer to State Standard 424001 for texturing and other design elements.
2. The controls shown on this standard are applicable to Type B Curb and Combination Concrete Curb & Sidewalk construction.
3. The maximum length of texturing shall be 1.8m(6') unless otherwise shown.

SPECIAL NOTES

1. Variable height edge treatment as required to match existing conditions. Maximum height = 225(9)
2. 100(4) wall to be built outside of plan sidewalk width, if ROW allows.

All dimensions are in millimeters (inches) unless otherwise noted.

ILLINOIS DEPARTMENT OF TRANSPORTATION		
DISTRICT CADD STANDARD		
SIDEWALK RAMPS		
ACCESSIBLE TO THE DISABLED		
CADD std. NO. 424001-D4	SHEET 1 of 2	
SCALE: NOT DRAWN TO SCALE	DRAWN BY CADD	
DATE \$\$\$DATE\$\$\$	CHECKED BY	

DATE	REVISIONS	BY
1-1-99	RENUM. A-5.01, NEW REVISION BOX, REVISED TITLE.	T.P.

1. THIS DRAWING SHOULD BE USED IN CONJUNCTION WITH STATE STANDARD 424001.  
 2. DESIGNER SHOULD REVIEW BDE PROCEDURE MEMORANDUM 94-12, DATED 7-1-94 ENTITLED "ACCESSIBILITY STANDARDS FOR THE DISABLED".

\$\$\$DATE\$\$\$

\*DGN-ONLY\*

424001-D4 (1)