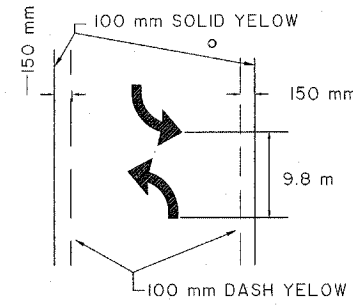


|                          |                 |                 |           |
|--------------------------|-----------------|-----------------|-----------|
| ROUTE NO.                | SECTION NO.     | TOTAL SHEET NO. | SHEET NO. |
| F.A.U 6578<br>F.A.U 6679 | 03-00019-1 I-FP | 98              | 33        |
| FED. ROAD DIST. NO.      | COUNTY          | PROJECT         |           |
|                          | PEORIA          | M-5093 ( IIB    |           |
|                          | ILLINOIS        |                 |           |

CONTRACT NO. 89369

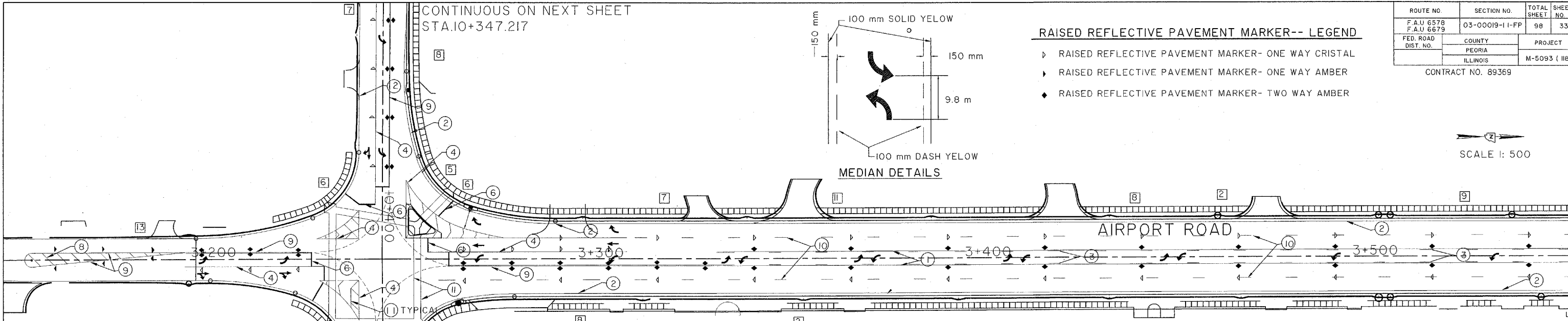
**RAISED REFLECTIVE PAVEMENT MARKER-- LEGEND**

- ▷ RAISED REFLECTIVE PAVEMENT MARKER- ONE WAY CRISTAL
- ▷ RAISED REFLECTIVE PAVEMENT MARKER- ONE WAY AMBER
- ◆ RAISED REFLECTIVE PAVEMENT MARKER- TWO WAY AMBER



MEDIAN DETAILS

SCALE 1: 500



**SIGN PANEL -TYPE I**

| NO. | SIGN CODE  | SIZE     | DESCRIPTION               | QUANTITY | SQ. M |
|-----|------------|----------|---------------------------|----------|-------|
| 1   | R2-1       | 600*900  | SPEED LIMIT               | 2        | 1.1   |
| 2   | R3-9B      | 600*900  | BIDIRECTIONAL TURN LANE   | 4        | 2.2   |
| 3   | R 1-1      | 750*750  | STOP                      | 4        | 2.3   |
| 4   | SPECIAL    | 300*1800 | AIRPORT ROAD              | 2        | 1.1   |
|     | SPECIAL    | 300*1800 | PFEIFFER ROAD             | 2        | 1.1   |
| 5   | R10-1 IC   | 600*1050 | NO RIGHT TURN ON RED      | 1        | 0.6   |
|     | S4-1       | 900*375  | 2:00 PM TO 4:00 PM        | 1        | 0.3   |
| 6   | SI-1       | 900*900  | SCHOOL CROSS WALK         | 4        | 3.2   |
|     | W16-7      | 750*450  | POINTING ARROW            | 4        | 1.4   |
| 7   | SI-1       | 900*900  | SCHOOL CROSS WALK         | 4        | 3.2   |
|     | W16-9P     | 900*500  | AHEAD                     | 4        | 1.8   |
| 8   | S4-3       | 900*300  | SCHOOL                    | 4        | 1.1   |
|     | R2-1       | 600*750  | SPEED LIMIT (20 MPH)      | 4        | 1.8   |
|     | S4-2       | 900*375  | WHEN CHILDREN ARE PRESENT | 4        | 1.4   |
|     | S4-3       | 900*300  | SCHOOL                    | 4        | 1.1   |
|     | S2-5A      | 600*750  | REDUCE SPEED AHEAD        | 4        | 1.8   |
| 10  | (RESERVED) |          |                           |          |       |
| 11  | W3-3       | 900*900  | SIGNAL AHEAD              | 4        | 3.2   |
| 12  | R10-4B     | 225*300  | PUSH BUTTOM TO CROSS      | 8        | 0.5   |
| 13  | S 5-2      | 600*750  | END SCHOOL ZONE           | 3        | 1.4   |

TOTAL=30.5 SQ. METER

**SIGNS POST**

METAL POST, TYPE A (3.8 M / EA) 34

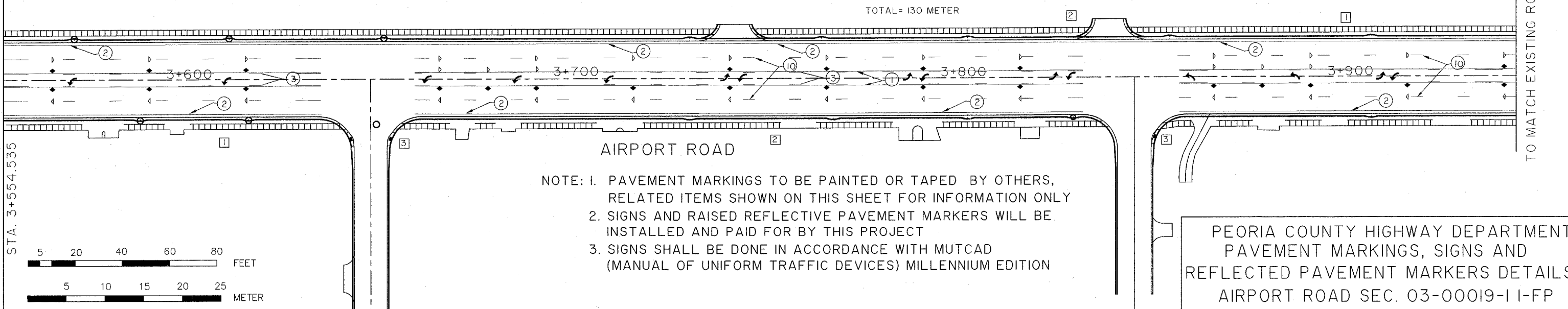
TOTAL= 130 METER

**PAVEMENT MARKING LEGEND**

- 1 100 mm SOLID YELLOW
- 2 100 mm SOLID WHITE
- 3 100 mm SKIP DASH YELLOW → [3.0 m | 9.0 m | 3.0 m]
- 4 200 mm SOLID WHITE
- 5 300 mm DIAGONAL (WHITE) → [6.0 m] 45.00 DEGREE
- 6 600 mm STOP BAR (WHITE) [6.0 m]
- 7 LETTERS & SYMBOLS [6.0 m] 45.00 DEGREE
- 8 300 mm DIAGONAL (YELLOW) [6.0 m]
- 9 100 mm DOUBLE YELLOW → [3.0 m | 9.0 m | 3.0 m]
- 10 150 mm SKIP DASH (WHITE) → [3.0 m | 9.0 m | 3.0 m]
- 11 300 mm SOLID (WHITE)

CONTRACTOR SHOULD ERECT THE EXISTING SIGNS TO ITS RELATED LOCATIONS AFTER COMPLETION OF THE PROJECT AS DIRECTED BY THE ENGINEER ( COST TO BE INCLUDED IN THE CONTRACT)

SCALE 1: 500



- NOTE: 1. PAVEMENT MARKINGS TO BE PAINTED OR TAPED BY OTHERS, RELATED ITEMS SHOWN ON THIS SHEET FOR INFORMATION ONLY
2. SIGNS AND RAISED REFLECTIVE PAVEMENT MARKERS WILL BE INSTALLED AND PAID FOR BY THIS PROJECT
3. SIGNS SHALL BE DONE IN ACCORDANCE WITH MUTCAD (MANUAL OF UNIFORM TRAFFIC DEVICES) MILLENNIUM EDITION

PEORIA COUNTY HIGHWAY DEPARTMENT  
PAVEMENT MARKINGS, SIGNS AND  
REFLECTED PAVEMENT MARKERS DETAILS  
AIRPORT ROAD SEC. 03-00019-1 I-FP

