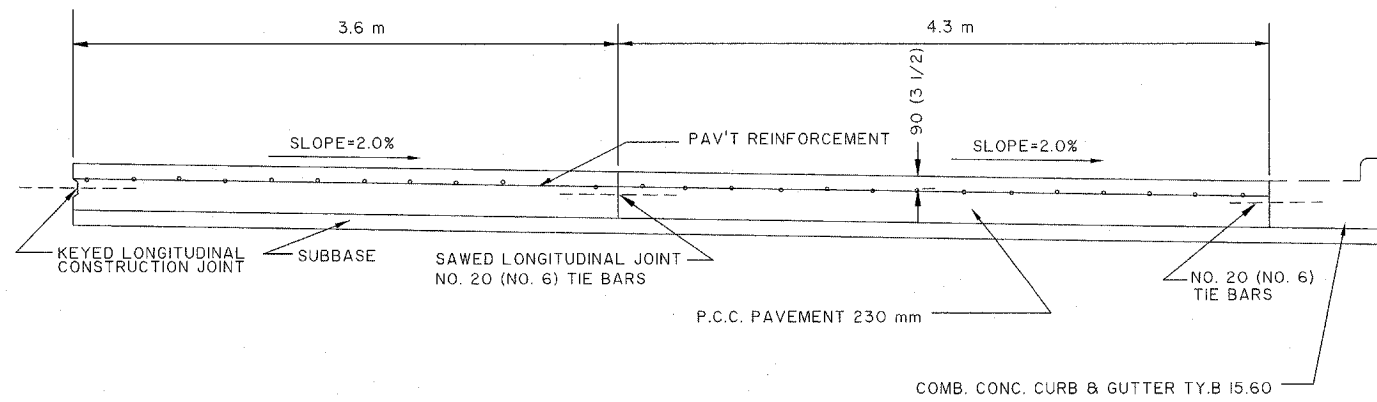
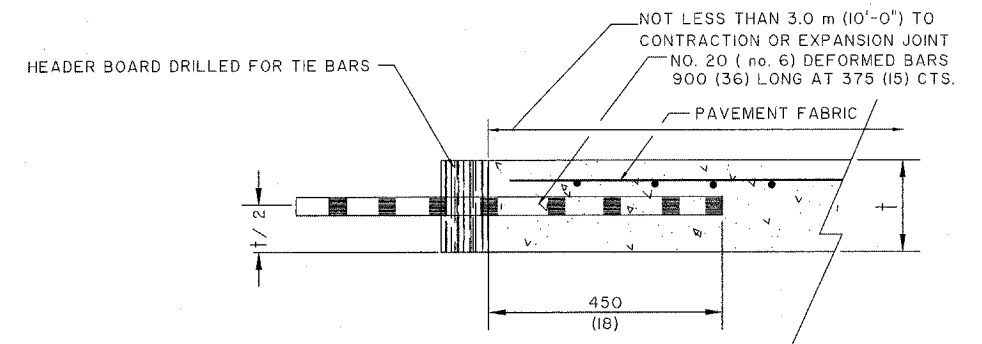


ROUTE NO.	SECTION NO.	TOTAL SHEET NO.	SHEET NO.
F.A.U. 6578	03-00019-1 I-FP	38	37
FED. ROAD DIST. NO.	COUNTY	PROJECT	
	PEORIA	M-5093 (97)	
	ILLINOIS		

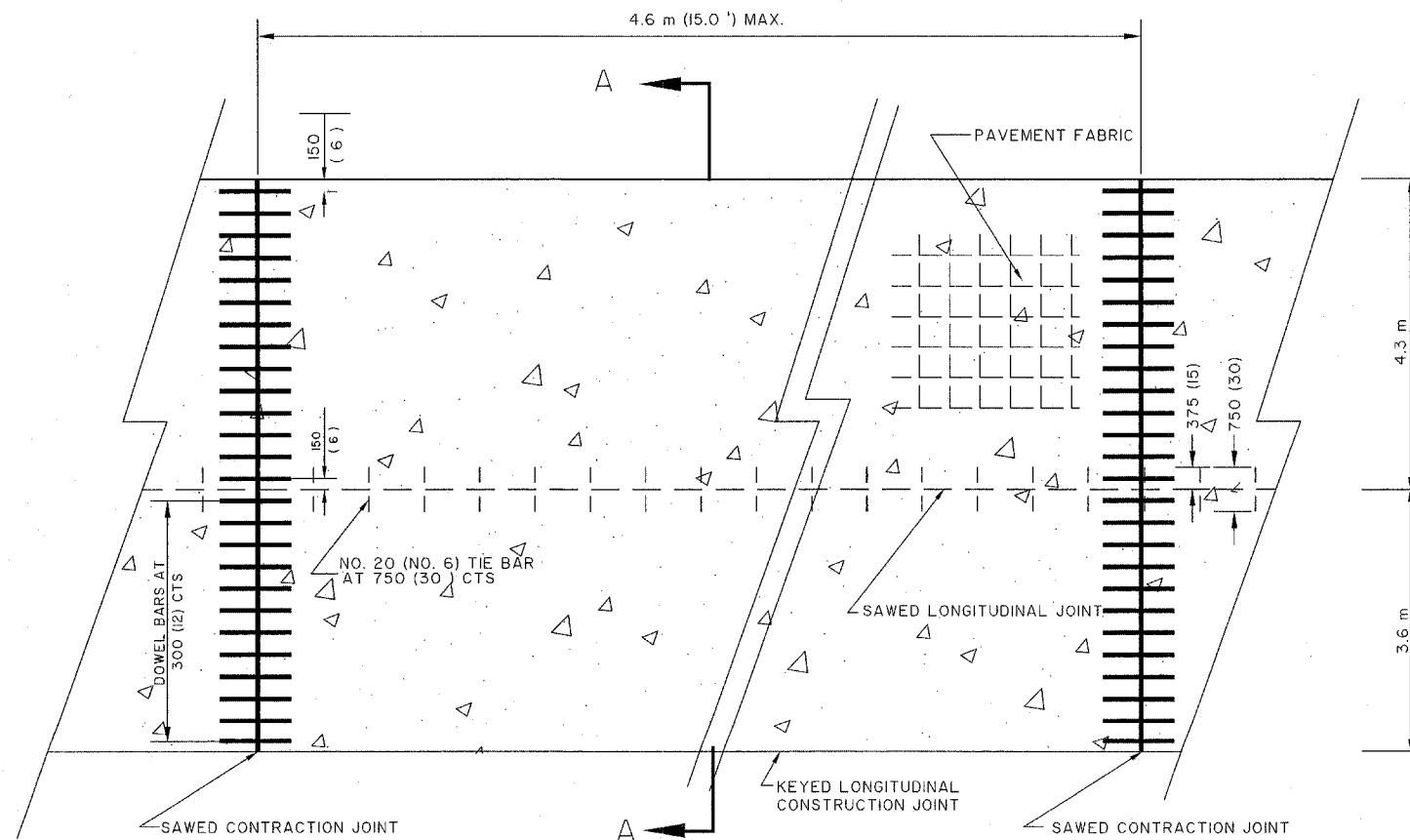
CONTRACT NO. 89369



SECTION A-A



DETAIL OF TRANSVERSE CONSTRUCTION JOINT



CONCRETE PAVEMENT PLAN

GENERAL NOTES

1. SEE STANDARD 420001 FOR DETAILS NOT SHOWN
2. SEE STANDARD 420701 FOR PAVEMENT FABRIC DETAILS
3. ALL DIMENSIONS ARE IN MILLIMETERS (INCHES) UNLESS OTHERWISE SHOWN
4. DRAWING NOT TO SCALE

PEORIA COUNTY HIGHWAY DEPT.
7.2 m (24.0')
JOINTED REINFORCED
PCC PAVEMENT DETAILS

P.C.H.D. 7.2 M (24.0') JOINTED REINFORCED PCC PAVEMENT DETAILS
AUTOCAD DRAWING BY A.D. 01-13-2001