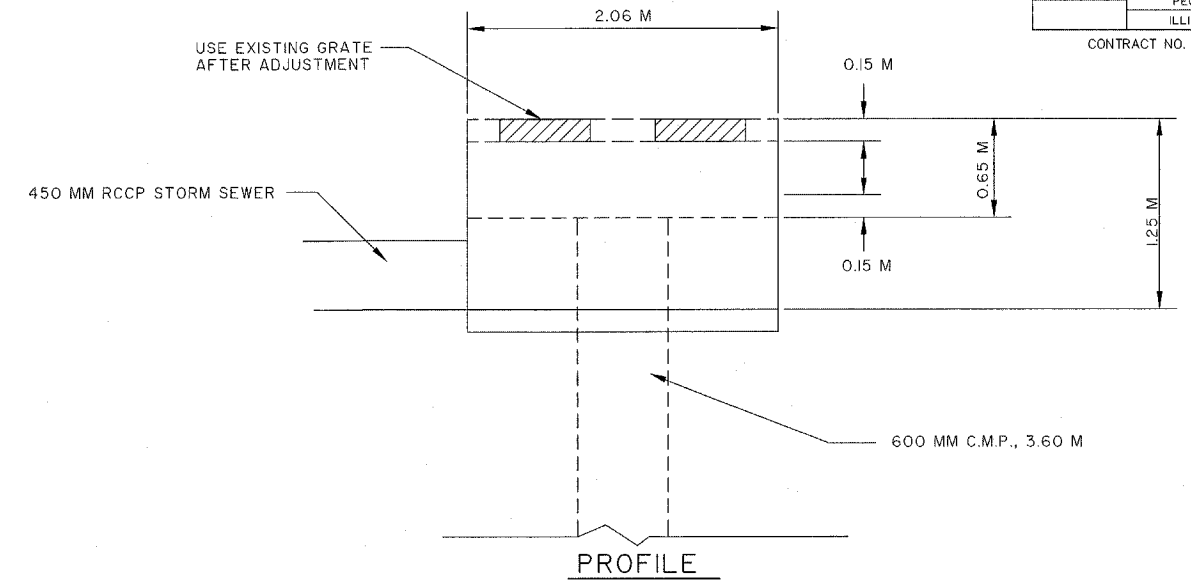
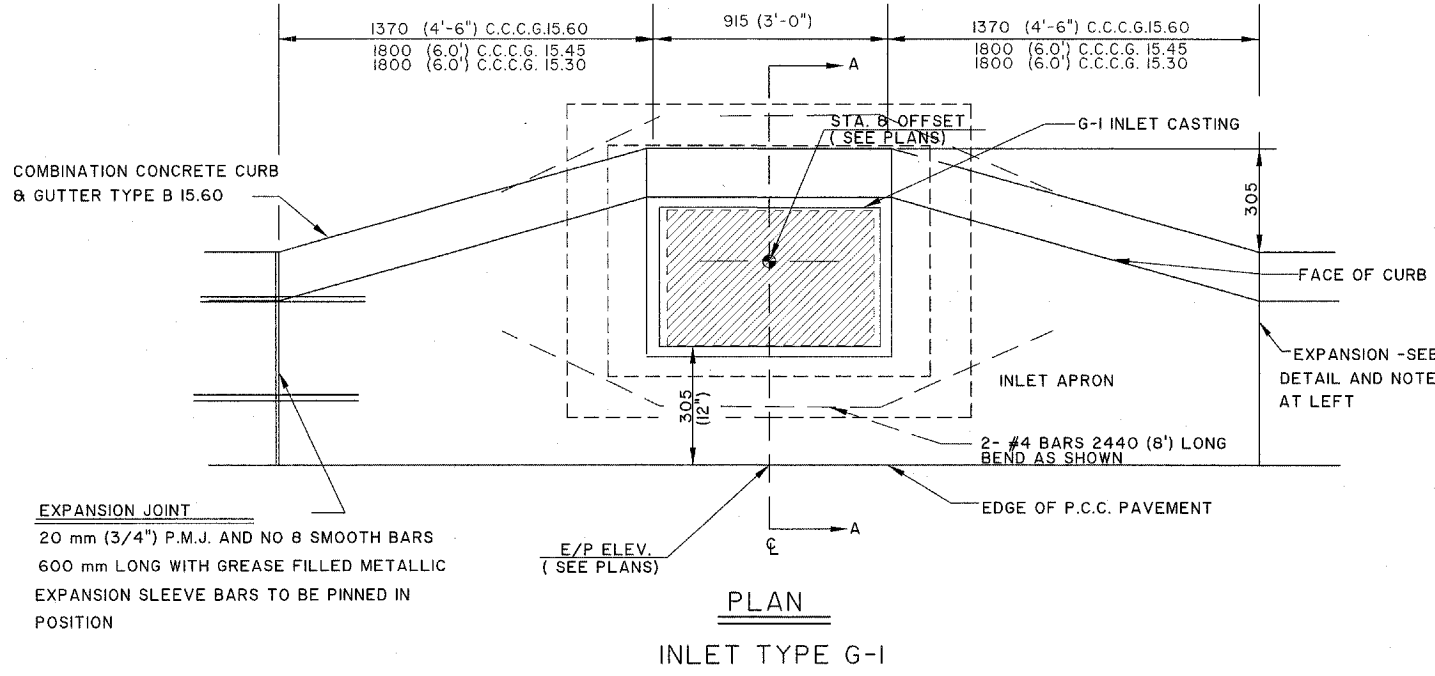


ROUTE NO.	SECTION NO.	TOTAL SHEET	SHEET NO.
F.A.U. 6578	03-00019-1 I-FP	98	41
FED. ROAD DIST. NO.	COUNTY	PROJECT	
	PEORIA	M-5093 (97)	
	ILLINOIS		

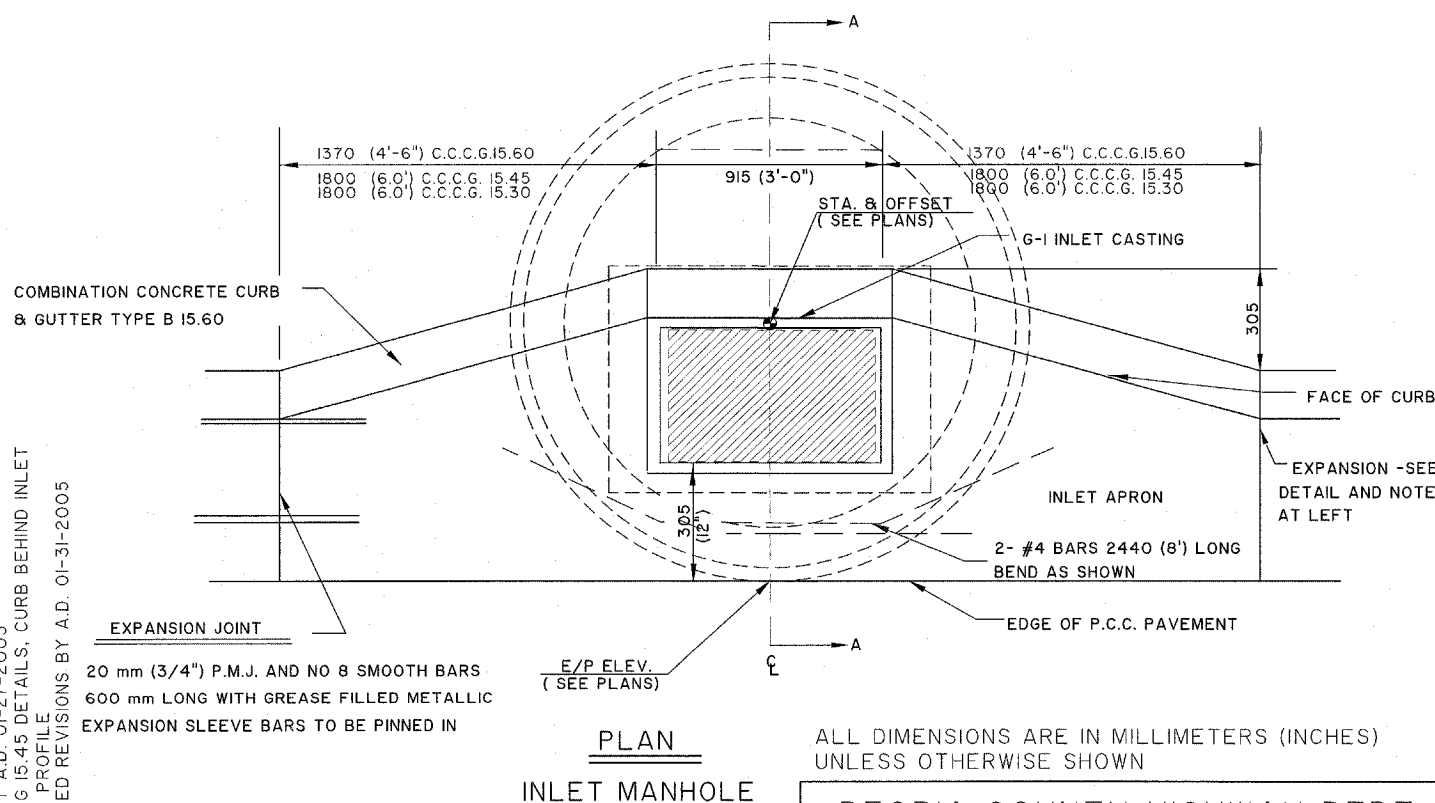
CONTRACT NO. 89369



EXISTING DOUBLE INLET NEED TO BE ADJUSTED AT STA. 10+647.750

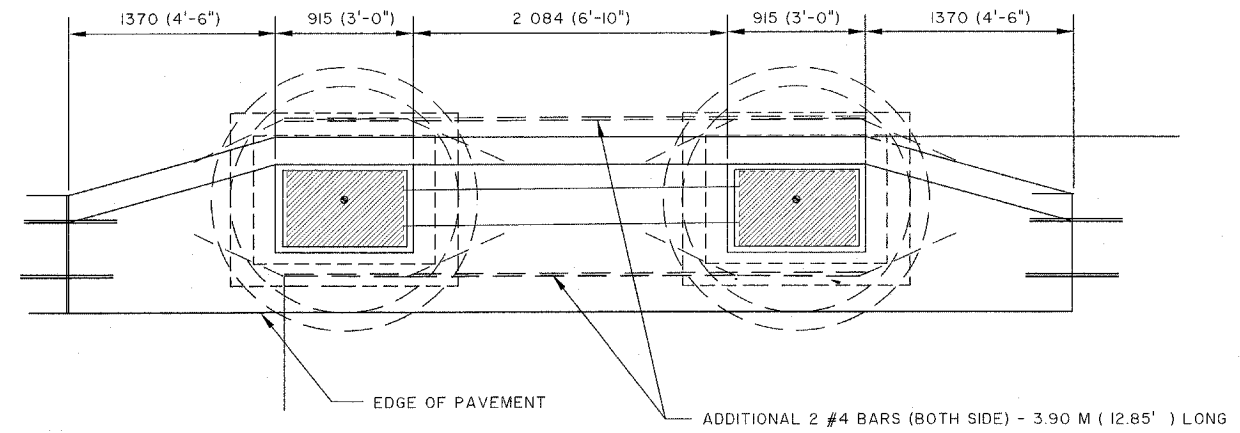
ALL DIMENSIONS ARE IN MILLIMETERS (INCHES) UNLESS OTHERWISE SHOWN

PEORIA COUNTY HIGHWAY DEPT.
STA. 10+647.750 INLET NEED TO BE ADJUSTED DETAILS



ALL DIMENSIONS ARE IN MILLIMETERS (INCHES) UNLESS OTHERWISE SHOWN

PEORIA COUNTY HIGHWAY DEPT.
INLET MANHOLE, INLET TY. G-I AND
INLET TYPE G-I SPECIAL DETAILS
SHEET 1 OF 3
AIRPORT ROAD



ALL DIMENSIONS ARE IN MILLIMETERS (INCHES) UNLESS OTHERWISE SHOWN

PEORIA COUNTY HIGHWAY DEPT.
DOUBLE INLET CASTING BOXOUT DETAILS

P.C.H.D. INLET MANHOLE, INLET TY. G-I DETAILS
AUTOCAD DRAWING BY A.D. 02-12-1997
P.C.H.D. DOUBLE INLET CASTING DETAILS
AUTOCAD DRAWING BY A.D. 01-27-2005
ADD CCG 15.30, CCG 15.45 DETAILS, CURB BEHIND INLET
DOUBLE INLET, INLET PROFILE
AND OTHER CORRELATED REVISIONS BY A.D. 01-31-2005