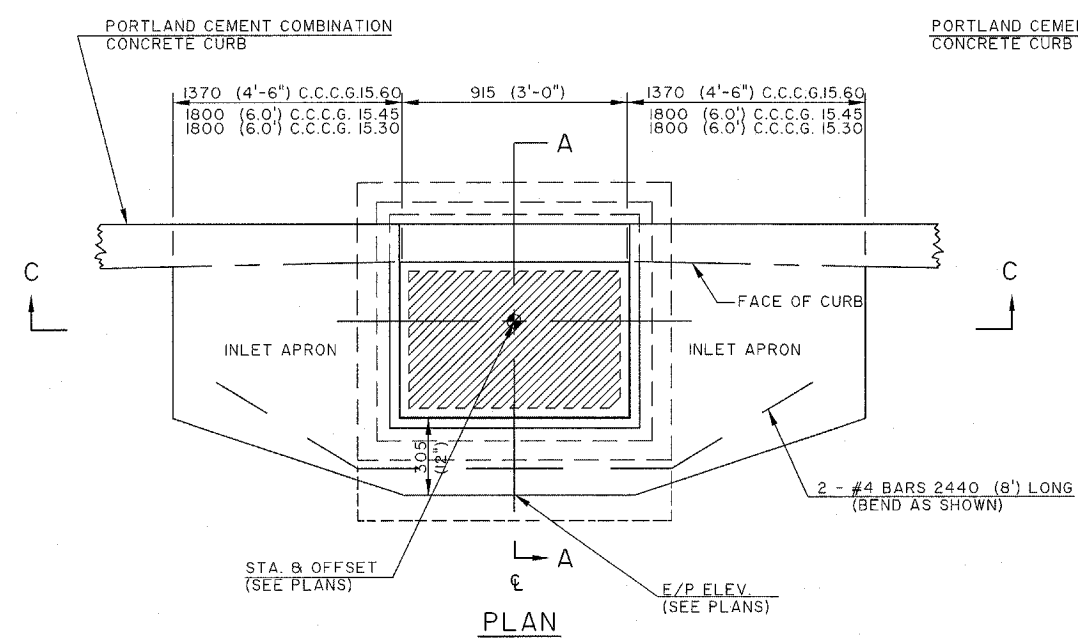
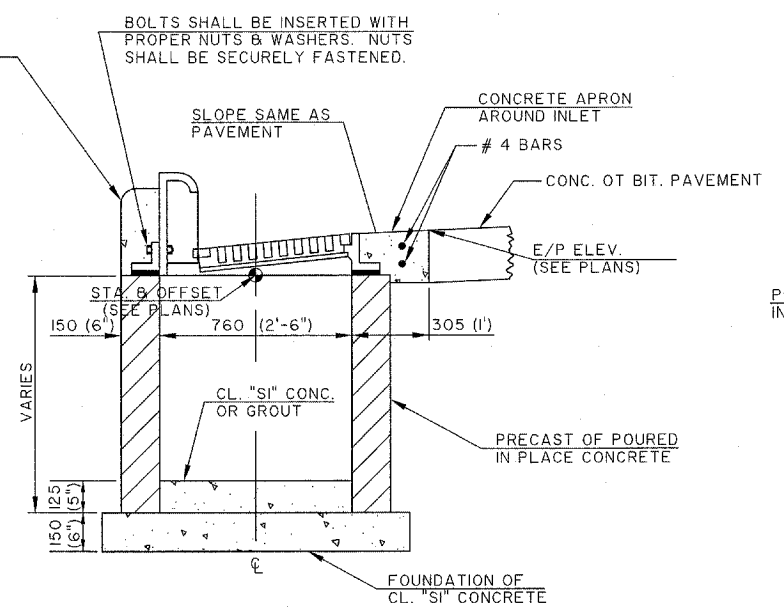


ROUTE NO.	SECTION NO.	TOTAL SHEET NO.
F.A.U. 6578	O3-00019-1-1-FP	98 43
FED. ROAD DIST. NO.	COUNTY	PROJECT
	PEORIA	M-5093 (97)
	ILLINOIS	

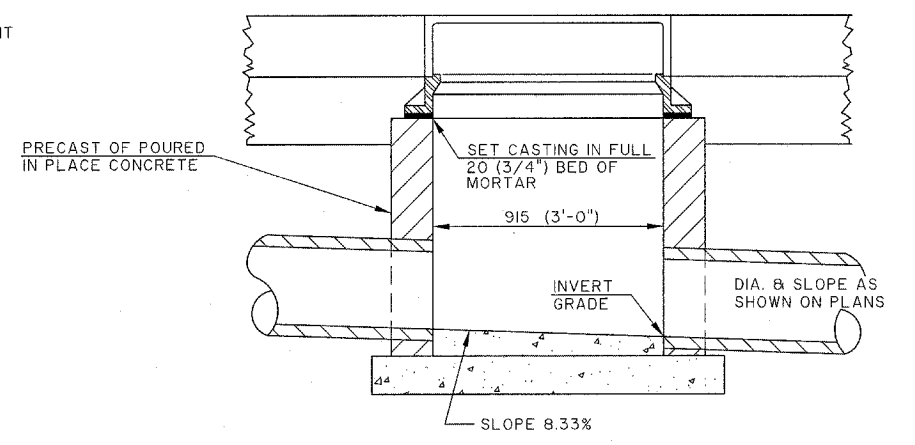
CONTRACT NO. 89369



PLAN

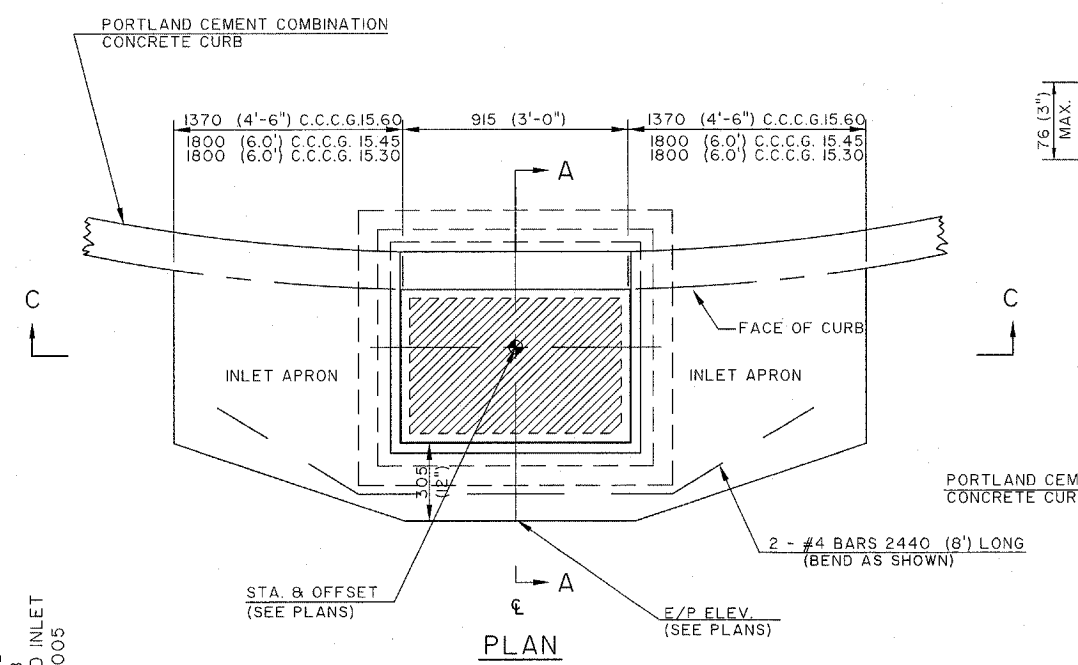


SECTION A-A

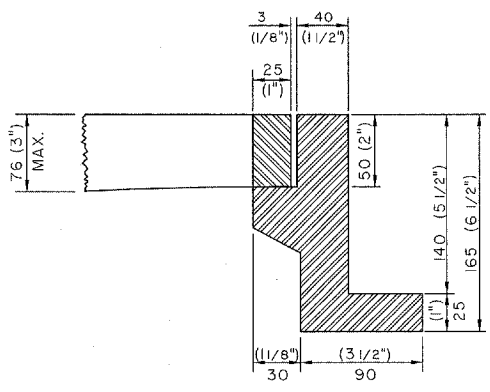


SECTION C-C

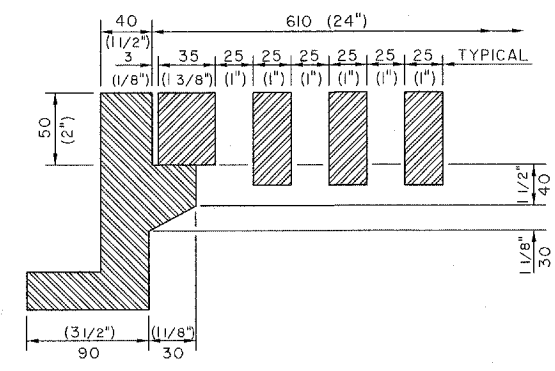
G-I INLET DETAILS



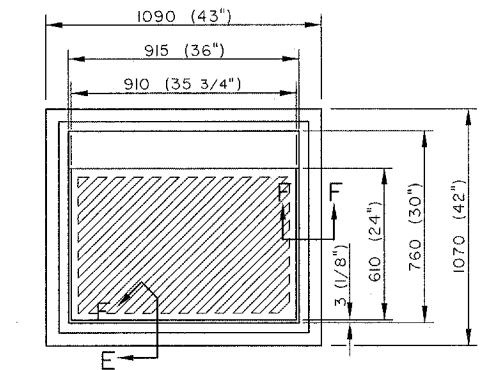
PLAN



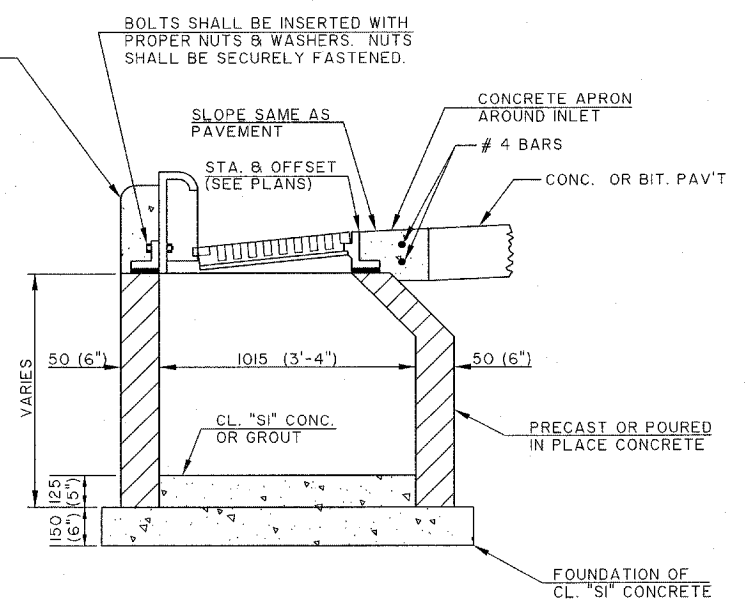
SECTION F-F



SECTION E-E



FRAME & GRATE DETAILS PLAN (LESS HOOD)



SECTION A-A
INLET TYPE G-I SPECIAL

NOTES

INLET TYPE G-I OR INLET TYPE G-I SPECIAL SHALL BE CONSTRUCTED IN ACCORDANCE WITH SECTION 602 OF THE STANDARD SPECIFICATIONS.

INLET CASTING SHALL BE INLET CASTINGS TYPE G-I. ALL CONCRETE USED FOR CONSTRUCTION OF THE INLET SHALL BE CLASS "SI" CONCRETE. ALL INLET WALLS SHALL BE 150 (6") THICK CONCRETE.

THIS ITEM SHALL INCLUDE THE INLET CONSTRUCTION COMPLETE IN PLACE AS INDICATED HEREIN, INCLUDING INLET CASTING, NECESSARY EXCAVATION, CURB & GUTTER, BASE COURSE, REINFORCEMENT BARS, AND TRENCH BACKFILL.

THIS ITEM SHALL BE PAID FOR AT THE CONTRACT UNIT PRICE FOR INLET TYPE G-I OR INLET TYPE G-I SPECIAL, WHICH SHALL INCLUDE PAYMENT IN FULL FOR ALL LABOR, MATERIAL, TOOLS, AND EQUIPMENT TO PERFORM THIS ITEM OF WORK AS INDICATED.

P.C.H.D. INLET MANHOLE, INLET TY. G-I DETAILS
 AUTOCAD DRAWING BY J.G. 7-25-1998
 ADD STA. & OFFSET, (CONTROL POINTS), E/P, AND
 OTHER CORRELATED REVISIONS BY A.D. 07-27-1998
 ADD C.C.C.G. 15.30, C.C.C.G. 15.45 DETAILS, CURB BEHIND INLET
 AND OTHER CORRELATED REVISIONS BY A.D. 01-31-2005

ALL DIMENSIONS ARE IN MILLIMETERS (INCHES)
 UNLESS OTHERWISE SHOWN

PEORIA COUNTY HIGHWAY DEPT.
 INLET MANHOLE, INLET TY. G-I AND
 INLET TYPE G-I SPECIAL DETAILS
 SHEET 3 OF 3
 AIRPORT ROAD