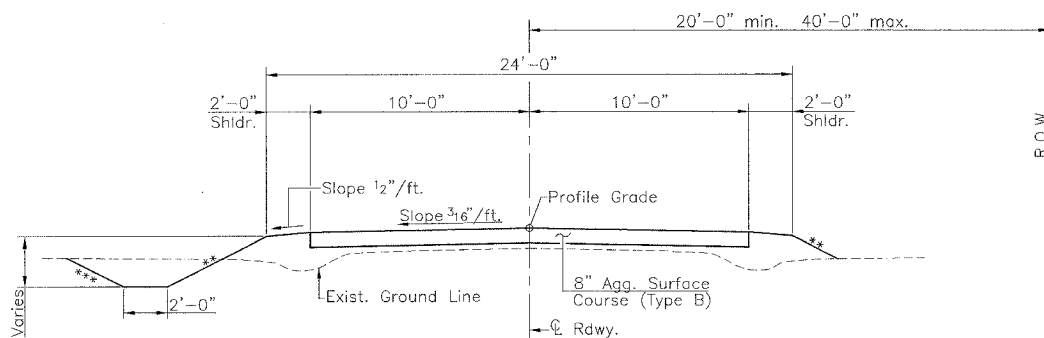


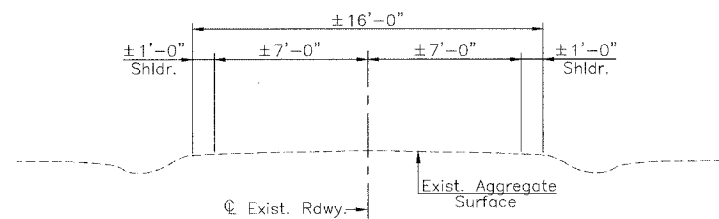
RTE.	SECTION	COUNTY	TOTAL SHEETS	SHEET NO.
T.R. 274	*	MERCER	9	2

PROJECT * 02-14130-00-BR
CONTRACT NO. 89378

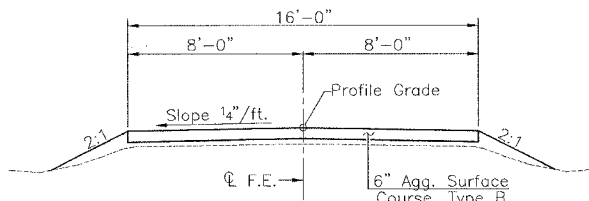


PROPOSED CROSS SECTION

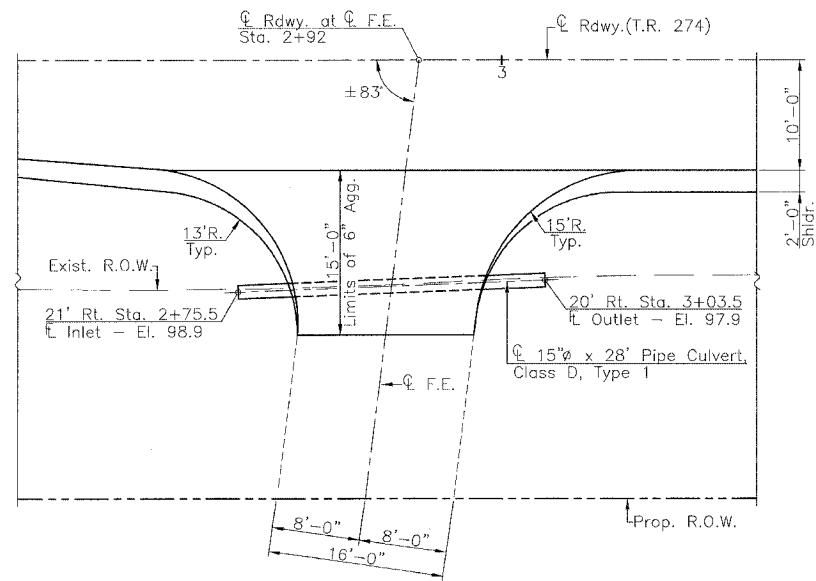
** - Fill $\leq 6'$ 3:1
 $\geq 6'$ 2:1
 *** - Fill $\leq 10'$ 3:1
 $\geq 10'$ 2:1



EXISTING CROSS SECTION



TYPICAL FIELD ENTRANCE
(Sta. 2+90 Rt.)



PLAN
(F.E. Rt., Sta. 2+92)

EARTHWORK SCHEDULE

Location	Earth Excavation	Earth Excavation Adjusted For Shrinkage	Embankment	Earthwork Balance Waste (+) or Shortage (-)
	Cubic Yard	Cubic Yard	Cubic Yard	Cubic Yard
Sta. 2+30 to Sta. 3+00	115	86	10	76
Sta. 3+00 to Sta. 3+60	173	130	37	93
Sta. 3+60 to Sta. 3+80	50	38	21	17
Bridge Omission—Sta. 3+80 to Sta. 4+40				
Sta. 4+40 to Sta. 4+50	12	9	12	-3
Sta. 4+50 to Sta. 5+00	51	38	105	-67
Sta. 5+00 to Sta. 6+00	48	36	226	-190
Sta. 6+00 to Sta. 7+00	20	15	78	-63
Sta. 7+00 to Sta. 7+30	4	3	1	2
Total	473	355	490	-135 ****

**** - Quantity to be reduced by 135 Cu. Yds. of suitable Channel or Structure Excavation as directed by the Engineer. No Furnished Excavation will be required. Cost to dispose of Excess Channel or Structure Excavation shall be included in the contract unit price for Earth Excavation.

SUMMARY OF QUANTITIES

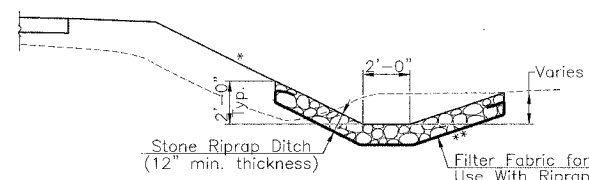
x031-2A

Code No.	Item	Unit	Quantity
20100110	Tree Removal (6 to 15 Units Diameter)	Unit	63
20100210	Tree Removal (Over 15 Units Diameter)	Unit	75
20200100	Earth Excavation	Cu. Yd.	422
20300100	Channel Excavation	Cu. Yd.	350
25001000	Seeding Class 2 (Special)	Acre	0.6
28000250	Temporary Erosion Control Seeding	Pound	100
28000300	Temporary Ditch Checks	Each	4
28100709	Stone Dumped Riprap, Class A5	Sq. Yd.	531
28102500	Stone Riprap Ditch	Sq. Yd.	270
28200200	Filter Fabric	Sq. Yd.	531
40200800	Aggregate Surface Course, Type B	Ton	449
50100100	Removal of Existing Structures	Each	1
50200100	Structure Excavation	Cu. Yd.	126
50300225	Concrete Structures	Cu. Yd.	27.8
50400505	Precast Prestressed Concrete Deck Beams (27" Depth)	Sq. Ft.	1406
50800105	Reinforcement Bars	Pound	2630
50900205	Steel Railing Type S1	Foot	120
51201400	Furnishing Steel Piles HP 10x42	Foot	245
51202700	Driving Steel Piles	Foot	245
51203400	Test Pile Steel HP 10x42	Each	1
51204315	Concrete Encasement	Cu. Yd.	2.2
51500100	Name Plates	Each	1
54200220	Pipe Culverts, Class D, Type 1 15"	Foot	28
70100100	Mobilization	L. Sum	1
70101700	Traffic Control & Protection	L. Sum	1
78201000	Terminal Marker - Direct Applied	Each	4

* See Special Provisions

GENERAL NOTES

Where section or subsection stones are encountered, the Engineer shall be notified before such stones are removed. The contractor shall protect and preserve all property markers and monuments until the owner, authorized surveyor, or agent has witnessed or referenced their location.
 Seeding: Fertilizer nutrients shall be applied at a ratio of 1:1:1 and at a rate of 270 pounds per acre.
 Mulch shall be applied at the rate of 2 tons per acre.
 Areas to be seeded shall consist of all disturbed earth surfaces within the right-of-way as directed by the Engineer.



STONE RIPRAP DITCH DETAIL
(Sta. 2+70 to Sta. 3+73 Lt. & Rt.)

Note: Omit riprap underneath F.E. Sta. 2+90 Rt.

SUMMARY OF QUANTITIES
DETAILS & TYPICAL SECTIONS
 T.R. 274 OVER NORTH POPE CREEK
 SECTION 02-14130-00-BR
 MERCER COUNTY