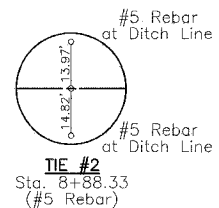


SECTION 22 T.14 N. R.1 W. 3rd P.M.



RT.	SECTION	COUNTY	TOTAL SHEETS	SHEET NO.
T.R. 274	*	MERCER	9	3

PROJECT  
\* 02-14130-00-BR  
CONTRACT NO. 89378

SCHEDULE TREE REMOVAL (6 TO 15 UNITS DIAMETER)

LOCATION	QUANTITY (UNITS)
Sta. 3+13 25' Lt.	12
Sta. 3+52 22' Lt.	12
Sta. 3+59 23' Lt.	15
Sta. 3+82 26' Lt.	12
Sta. 3+82 27' Lt.	12
<b>Total</b>	<b>63</b>

SCHEDULE TREE REMOVAL (OVER 15 UNITS DIAMETER)

LOCATION	QUANTITY (UNITS)
Sta. 2+57 23' Lt.	30
Sta. 2+72 28' Lt.	24
Sta. 4+21 23' Lt.	21
<b>Total</b>	<b>75</b>

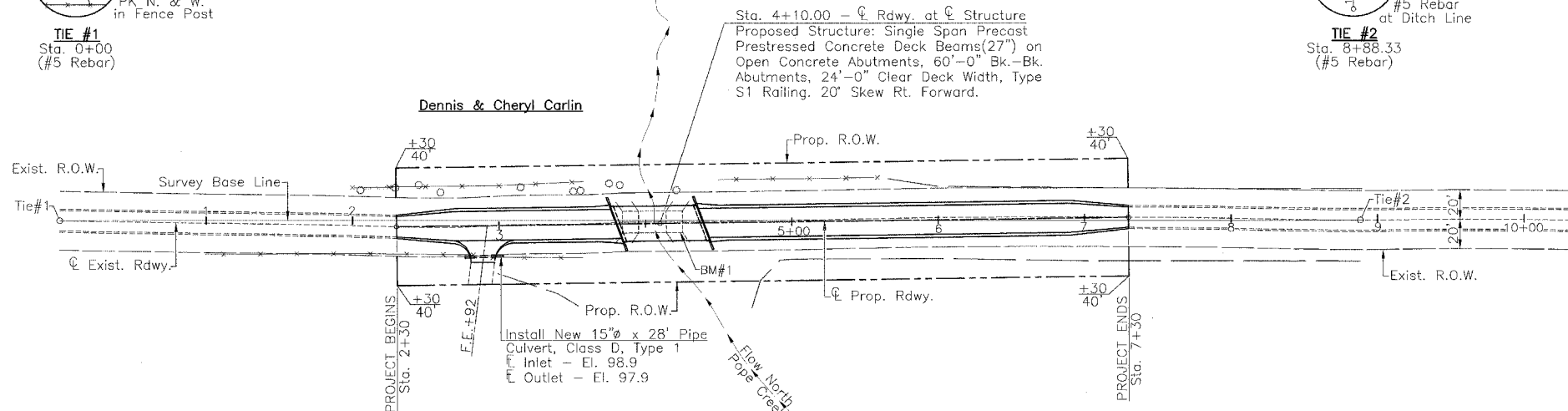
SCHEDULE FENCE REMOVAL

LOCATION	QUANTITY (FOOT)
Sta. 2+30 to Sta. 3+59 Lt. & Rt.	258
Sta. 4+50 to Sta. 5+60 Lt.	110
<b>Total</b>	<b>368</b>

(This is being provided for informational purposes only)  
(Cost of this work considered incidental to contract)

UTILITIES

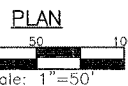
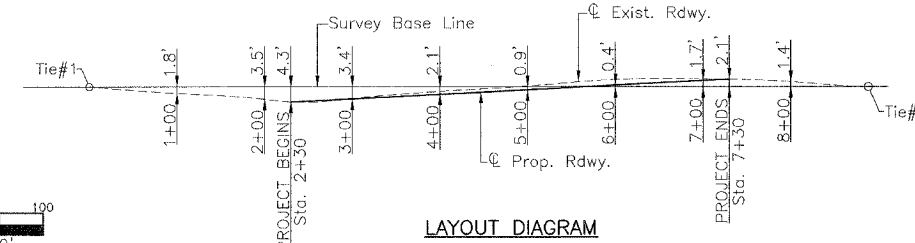
Illinois Power Company  
2003 S.E. Third Street  
Alledo, Illinois 61231  
Frontier Telephone  
Monmouth, Illinois 61231  
A.N.R. Gas Company  
Alledo, Illinois 61231



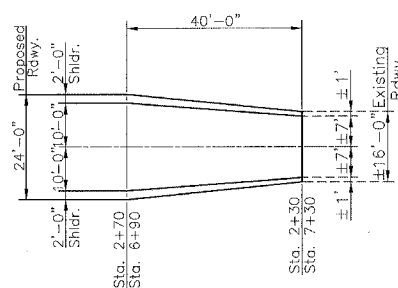
Seeding - Sta. 2+30 to Sta. 7+30 R.O.W. to R.O.W. - 0.6 Acre

SCHEDULE TEMPORARY DITCH CHECKS

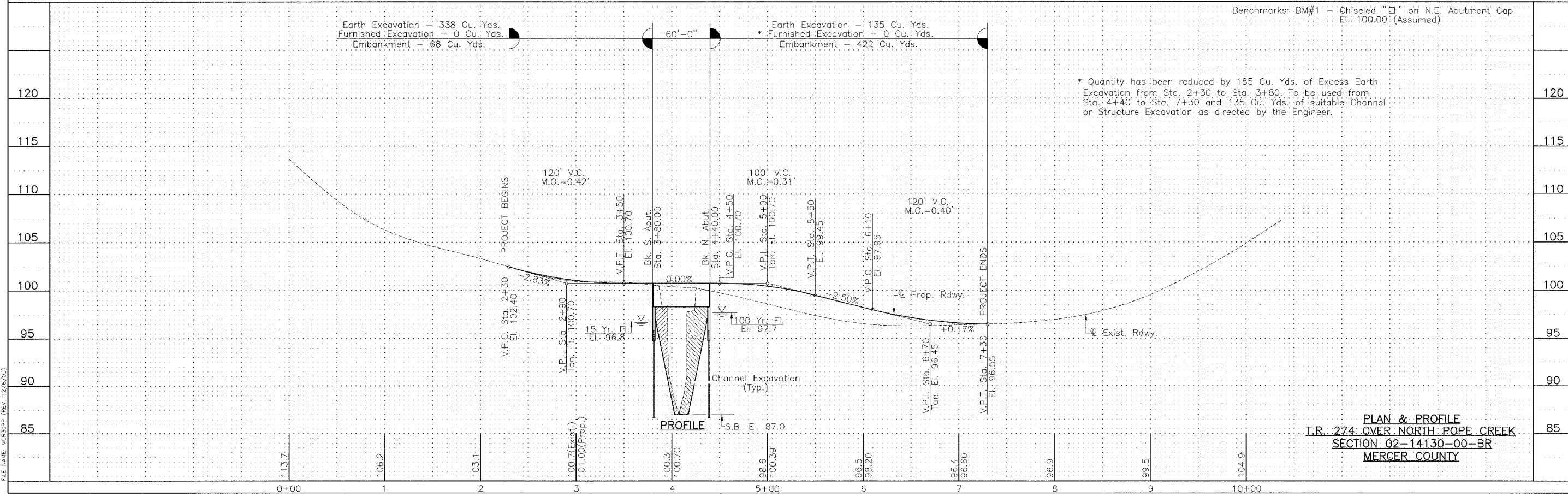
LOCATION	QUANTITY (EACH)
Sta. 3+70 25' Lt.	1
Sta. 3+80 25' Rt.	1
Sta. 4+40 25' Lt.	1
Sta. 4+50 25' Rt.	1
<b>Total</b>	<b>4</b>



LAYOUT DIAGRAM



ROADWAY TRANSITION DETAIL



Benchmarks: BM#1 - Chiseled "□" on N.E. Abutment Cap El. 100.00 (Assumed)

\* Quantity has been reduced by 185 Cu. Yds. of Excess Earth Excavation from Sta. 2+30 to Sta. 3+80. To be used from Sta. 4+40 to Sta. 7+30 and 135 Cu. Yds. of suitable Channel or Structure Excavation as directed by the Engineer.

PLAN & PROFILE  
T.R. 274 OVER NORTH POPE CREEK  
SECTION 02-14130-00-BR  
MERCER COUNTY

FILE NAME: MCR000P (REV. 12/6/03)