

RTE.	SECTION	COUNTY	TOTAL SHEETS	SHEET NO.
T.R. 274	*	MERCER	9	7
PROJECT				

* 02-14130-00-BR
CONTRACT NO. 89378

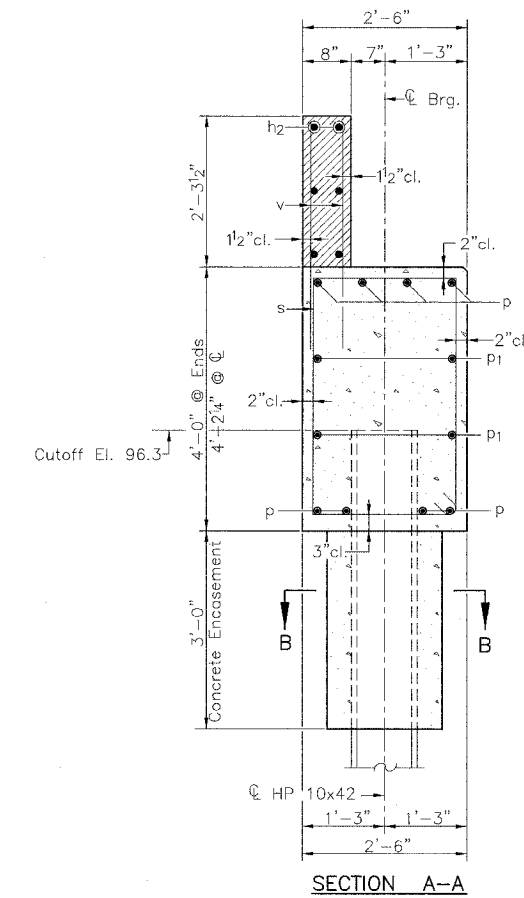
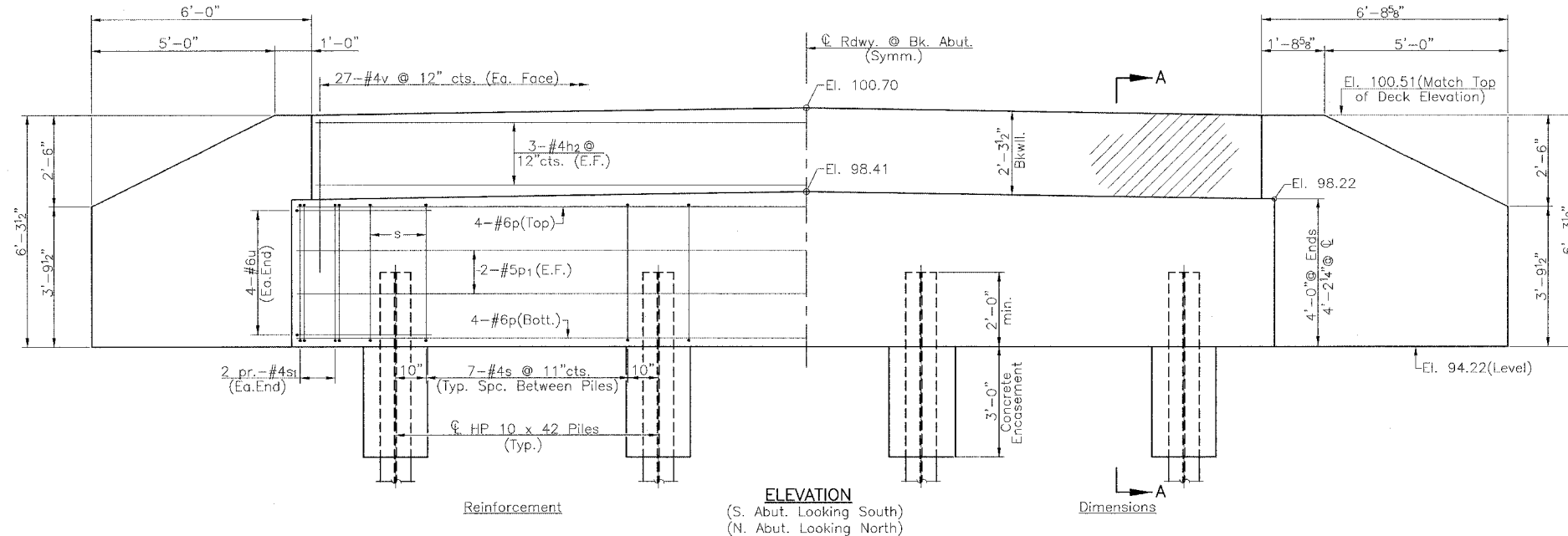
NOTES

All exposed edges shall have standard 3/4" chamfer.
Space reinforcement in cap to miss beam anchor dowels.
Wingwalls and Backwalls may, at the contractor's option, be cast monolithically.

PILE DATA

	S. Abut.	N. Abut.
Type:	Steel HP10x42	Steel HP10x42
Capacity:	Refusal	Refusal
Est. Length:	35'	35'
No. Req'd.:	3 + 1 Test Pile	4

Note: Hatched area and wingwalls shall be poured after deck beams are anchored in place. Quantity for Concrete Structures is included in Bill of Material, this sheet.

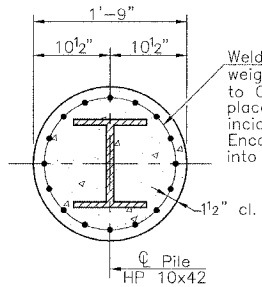
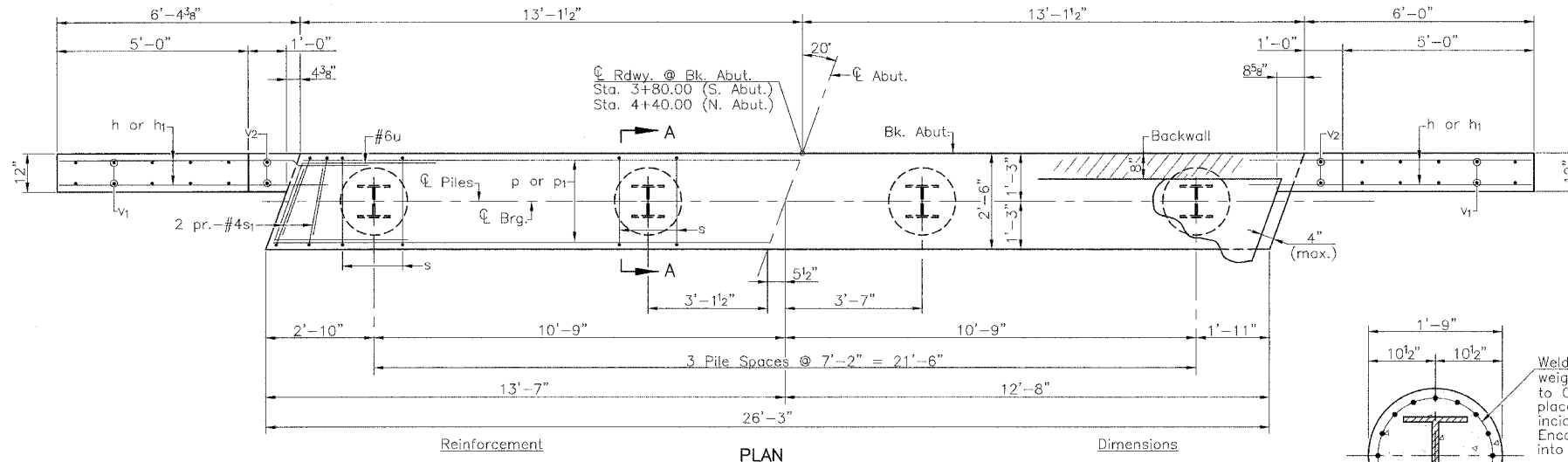


**TWO ABUTMENTS
BILL OF MATERIAL**

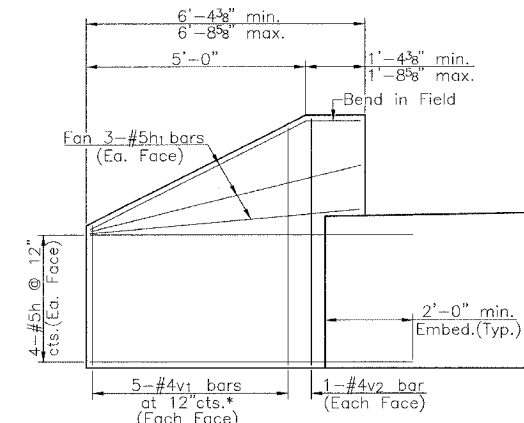
BAR	NO.	SIZE	LENGTH	SHAPE
h	32	#5	8'-6"	—
h1	24	#5	6'-0"	—
h2	12	#4	28'-0"	—
p	16	#6	25'-11"	—
p1	8	#5	25'-11"	—
s	46	#4	12'-3"	□
s1	16	#4	7'-11"	□
u	16	#6	10'-3"	└
v	108	#4	3'-9"	—
v1	20	#4	9'-4"	—
v2	8	#4	5'-5"	—

Concrete Structures	Cu. Yd.	27.8
Reinforcement Bars	Pound	2630
Furnishing Steel Piles HP10x42	Foot	245
Driving Steel Piles	Foot	245
Test Pile, Steel HP10x42	Each	1
Structure Excavation	Cu. Yd.	126
Concrete Encasement	Cu. Yd.	2.2

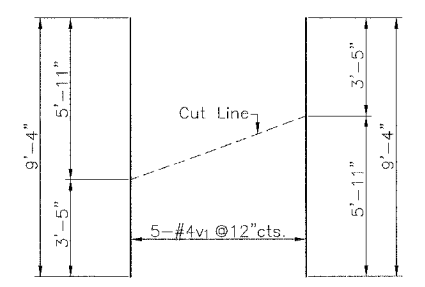
ABUTMENTS
T.R. 274 OVER NORTH POPE CREEK
SECTION 02-14130-00-BR
MERCER COUNTY



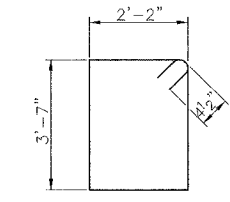
SECTION B-B



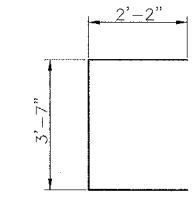
WINGWALL ELEVATION
(Showing Reinforcement)
* See v1-bar cut diagram



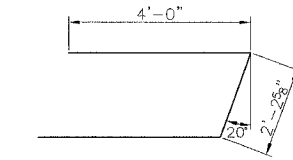
v1 - BAR CUT DIAGRAM
Order v1 bars full length. Layout in field according to diagram. Cut v1 bars along cut line. Use remainder of each bar in opposite face.



BAR s



BAR s1



BAR u