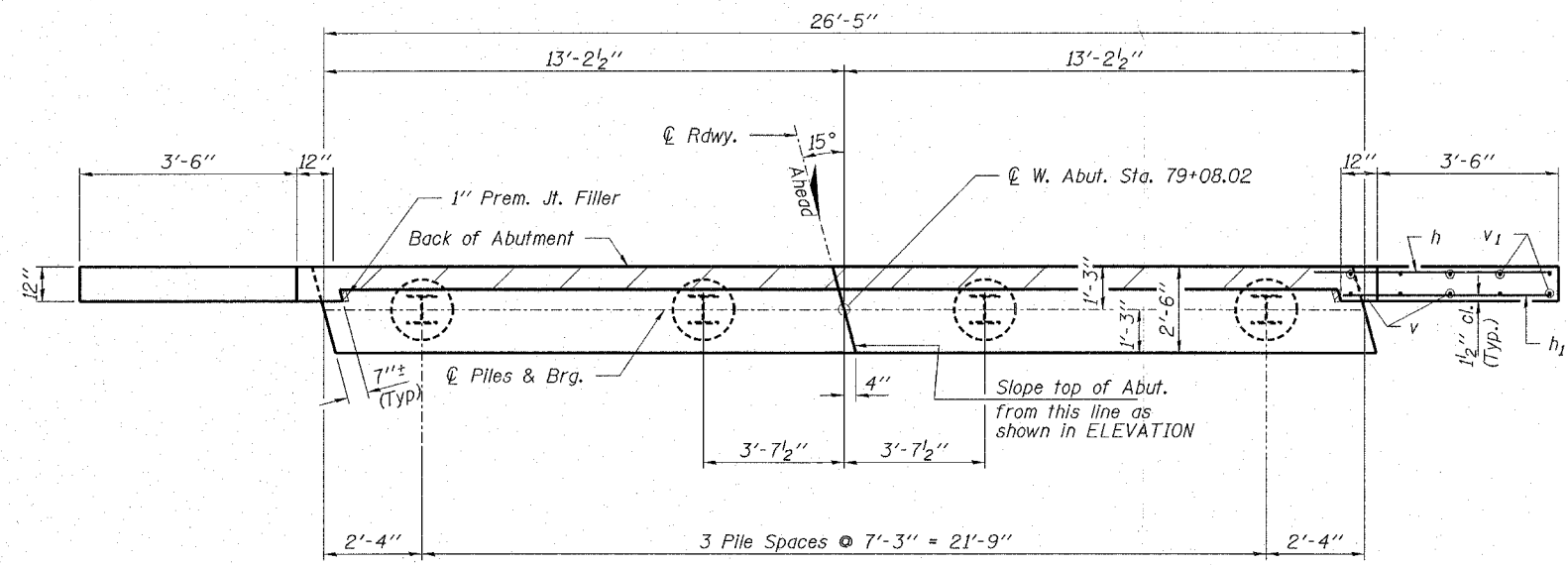
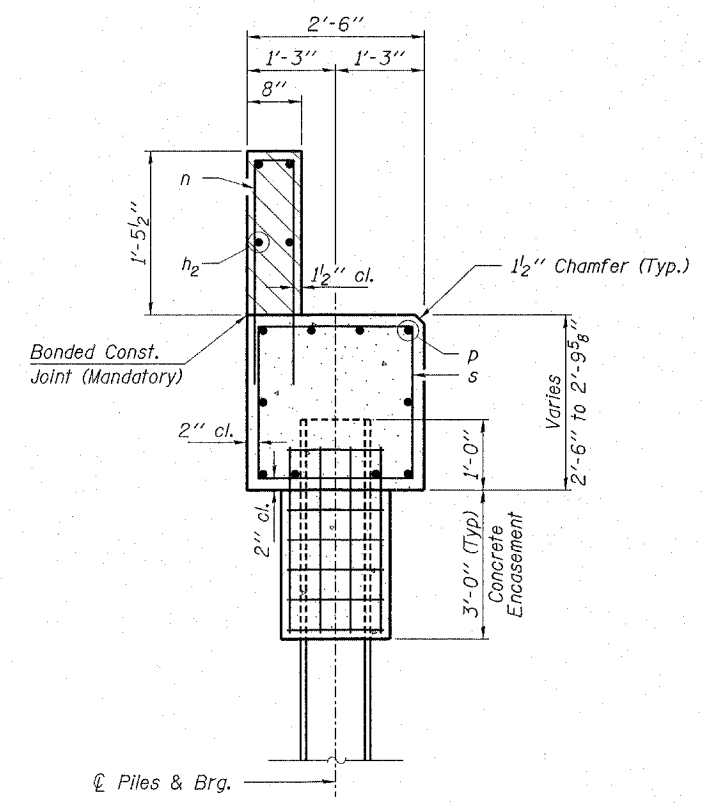


CONTRACT NO. 91354

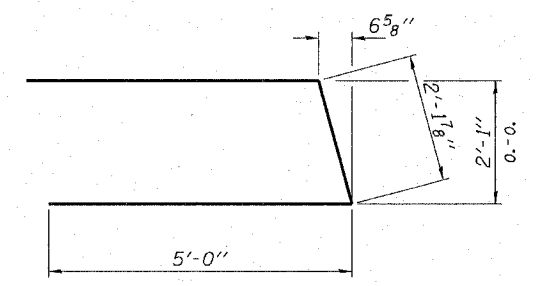


**PLAN**

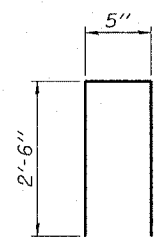


**SECTION A-A**

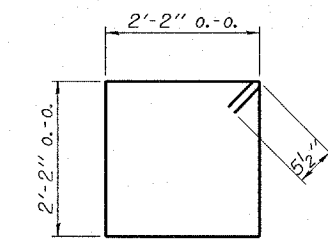
Hatched area to be poured after beams are in place.



**BAR u**

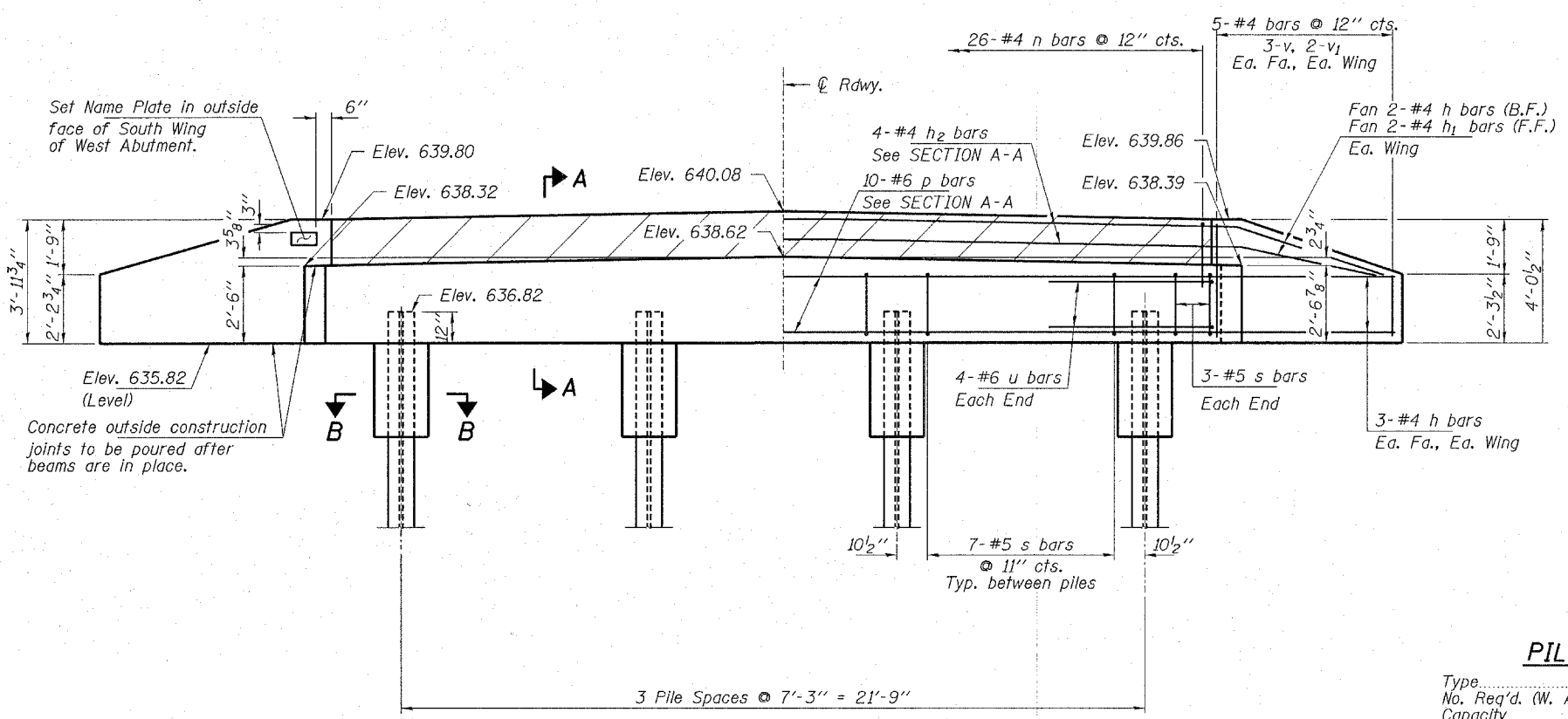


**BAR n**

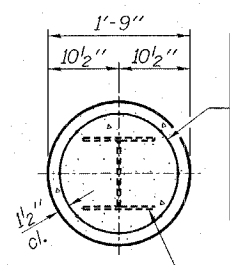


**BAR s**

Note: Extend h bars into abut. cap.



**ELEVATION**



**SECTION B-B**

Welded wire fabric 6 x 6-W4.0 x W4.0 weighing 58#/100 sq. ft. The cost of Excavation and Reinforcement is included in the cost of Concrete Encasement. Forms for Encasement may be omitted when soil conditions will permit.

Steel Pile HP10x42

**PILE DATA**

Type.....Steel HP10x42  
 No. Req'd. (W. Abut.).....4\*  
 Capacity.....31 Ton/Pile  
 Est. Length.....45 Feet/Pile

\* Includes one test pile to be driven in a permanent location at each Abutment.

**BILL OF MATERIAL - WEST ABUT.**

BAR	NO.	SIZE	LENGTH	SHAPE
h	16	#4	5'-3"	—
h1	4	#4	4'-3"	—
h2	4	#4	26'-1"	—
n	26	#4	5'-5"	□
p	10	#6	26'-1"	—
s	27	#5	9'-7"	□
u	8	#6	12'-2"	U
v	12	#4	3'-1"	—
v1	8	#4	2'-1"	—
Concrete Structures			Cu. Yd.	8.5
Reinforcement Bars			Pound	1,080
Steel Piles HP10x42			Foot	135
Test Pile Steel HP10x42			Each	2
Name Plates			Each	1
Concrete Encasement			Cu. Yd.	1.0

**HLR**  
 Rice, Berry and Associates  
 A Division of Hampton, Lenzini and Fenwick, Inc.  
 CIVIL & Structural Engineers  
 3085 Stevenson Drive  
 Suite 201  
 Springfield, Illinois 62703  
 217-546-3400  
 P.O. Box 1036  
 DuQuoin, Illinois 62832  
 618-790-4637  
 Account Number 12-87-0014-1  
 Date: 01/20/05  
 DESIGNED: T.F.L. CHECKED: S.W.M. DRAWN: D.T.M.

**WEST ABUTMENT**  
**SECTION 03-17116-00-BR**  
**RIDGE ROAD DISTRICT**  
**SHELBY COUNTY**  
**STRUCTURE NO. 087-3541 / STATION 79+80**