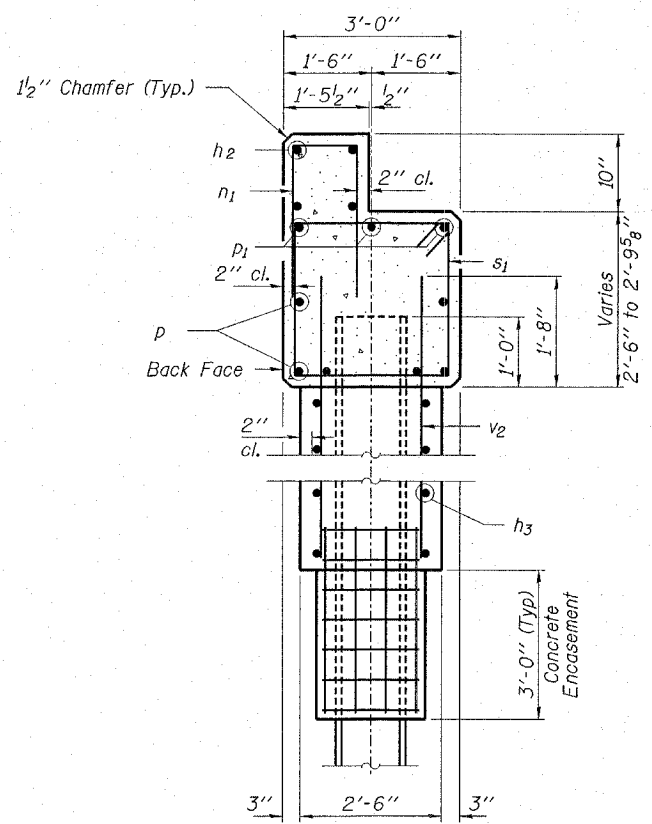
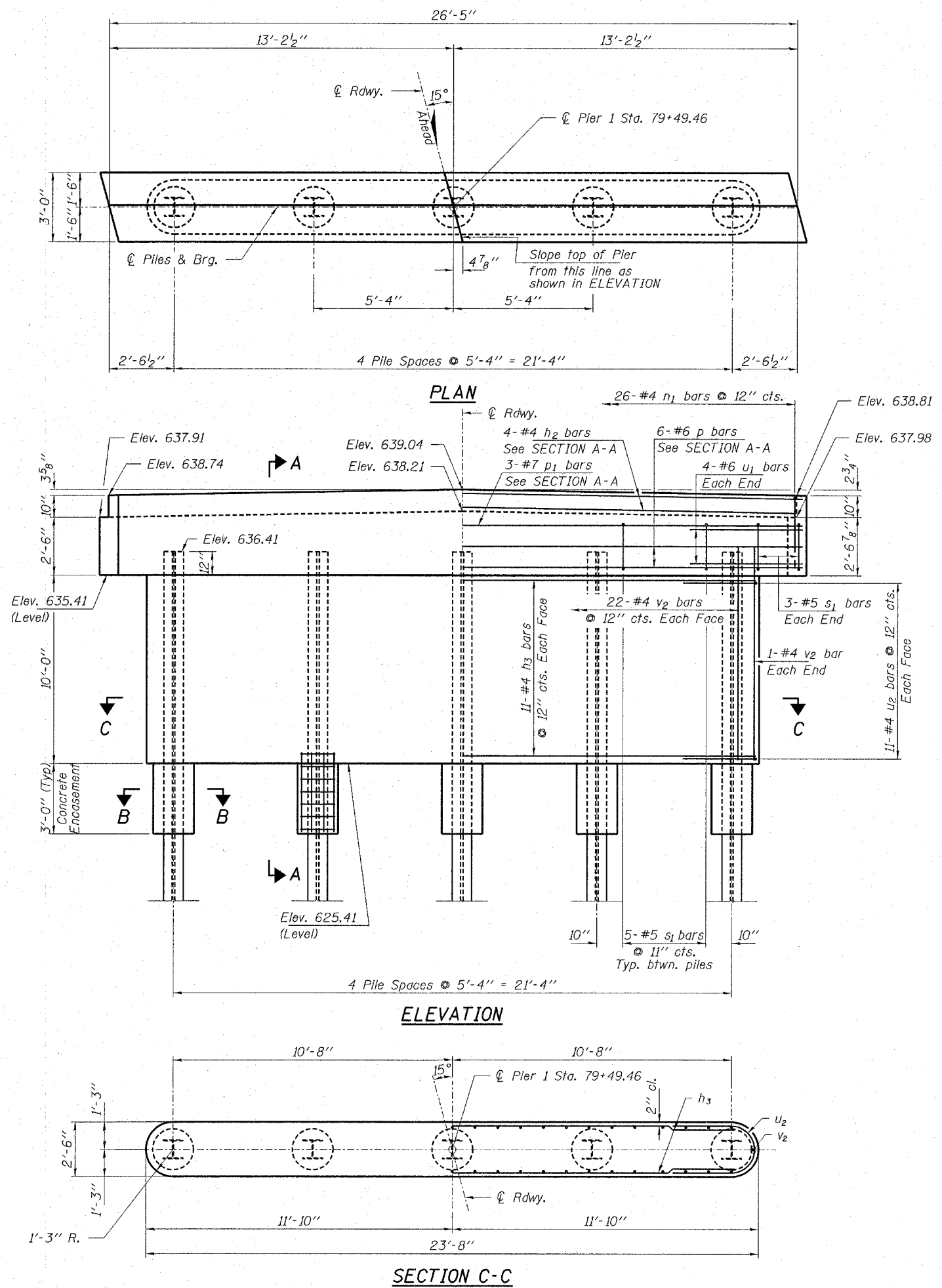
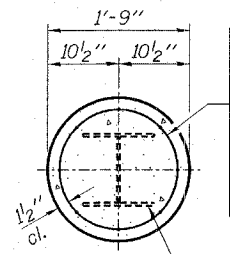


ROUTE NO.	SECTION	COUNTY	TOTAL SHEETS	SHEET NO.
T.R. 57	03-17116-00-BR	SHELBY	16	14
FED. ROAD DIST. NO.	ILLINOIS	FED. AID PROJECT - BPO8-17314M		

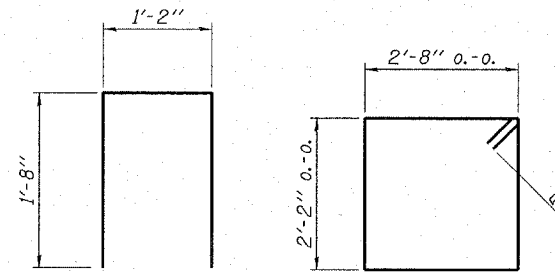
CONTRACT NO. 91354



SECTION A-A

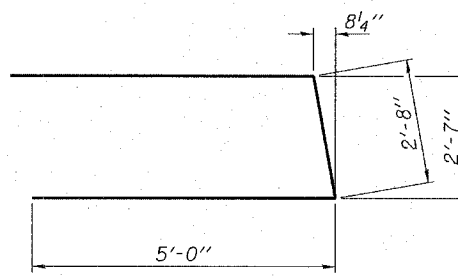


SECTION B-B

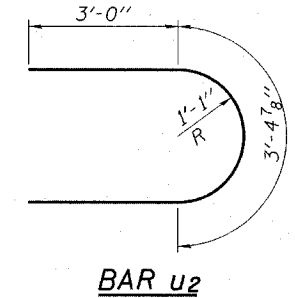


BAR n1

BAR s1



BAR u1



BAR u2

BILL OF MATERIAL - PIER 1

BAR NO.	NO.	SIZE	LENGTH	SHAPE
h2	4	#4	26'-1"	—
h3	22	#4	21'-4"	—
n1	26	#4	4'-6"	□
p	6	#6	26'-1"	—
p1	3	#7	26'-1"	—
s1	26	#5	10'-7"	□
u1	8	#6	12'-8"	—
u2	22	#4	9'-5"	—
v2	46	#4	11'-6"	—
Concrete Structures			Cu. Yd.	30.5
Reinforcement Bars			Pound	1,790
Steel Piles HP10x42			Foot	220
Test Pile Steel HP10x42			Each	1
Concrete Encasement			Cu. Yd.	1.3
Underwater Structure Exc. Protection, Location 1			Each	1

PILE DATA

Type..... Steel HP10x42
 No. Req'd. (Pier 1)..... 5*
 Capacity..... 49 T/Pile
 Est. Length..... 55 Feet/Pile

* Includes one test pile to be driven in a permanent location at each Pier.

ILR
 Rice, Berry and Associates
 A Division of Hampton, Lenzini and Renwick, Inc.
 Civil & Structural Engineers
 3085 Stevenson Drive
 Suite 201
 Springfield, Illinois 62703
 217-546-3400
 P.O. Box 1036
 DuQuoin, Illinois 62832
 618-790-4637
 Account Number: 12-87-0014-1
 Date: 01/20/06
 DESIGNED: T.P.L. CHECKED: S.W.M. DRAWN: D.T.M.

PIER 1
SECTION 03-17116-00-BR
RIDGE ROAD DISTRICT
SHELBY COUNTY
STRUCTURE NO. 087-3541 / STATION 79+80