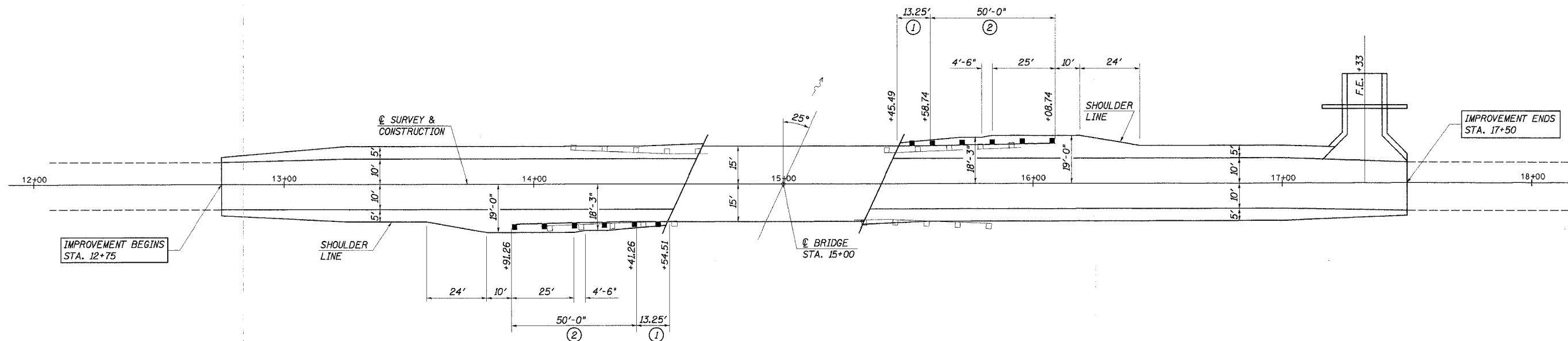
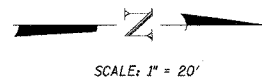


ROUTE NO.	SECTION	COUNTY	TOTAL SHEETS	SHEET NO.
C.H. 5 FAS 639	03-00087 -00-BR	CHRISTIAN	12	4

ILLINOIS  
CONTRACT NO. 99402



**SHOULDER WIDENING AND GUARDRAIL PLAN**

**TRAFFIC BARRIER TERMINAL, TYPE 5A**

15' RT. STA. 14+41.26 TO 15' RT. STA. 14+54.51 = 1 EACH  
 15' LT. STA. 15+45.49 TO 15' LT. STA. 15+58.74 = 1  
 TOTAL = 2 EACH

**TRAFFIC BARRIER TERMINAL, TYPE 1, SPECIAL (TANGENT)**

16' RT. STA. 13+91.26 TO 15' RT. STA. 14+41.26 = 1 EACH  
 15' LT. STA. 15+58.74 TO 16' LT. STA. 16+08.74 = 1  
 TOTAL = 2 EACH

**GUARDRAIL REMOVAL**

RT. STA. 14+03 TO STA. 14+58 = 55 FOOT  
 LT. STA. 14+15 TO STA. 14+70 = 55  
 RT. STA. 15+28 TO STA. 15+83 = 55  
 LT. STA. 15+41 TO STA. 15+95 = 55  
 TOTAL = 220 FOOT

**LEGEND**

NOTE: ALL DIMENSIONS REFER TO FRONT FACE OF PROPOSED RAILING.

- ① TRAFFIC BARRIER TERMINAL, TYPE 5A
- ② TRAFFIC BARRIER TERMINAL, TYPE 1, SPECIAL (TANGENT)

**SHOULDER AND GUARDRAIL DETAILS**  
 COUNTY HIGHWAY 5  
 SECTION 03-00087-00-BR  
 CHRISTIAN COUNTY  
 STATION 15+00

4440 ASH GROVE SPRINGFIELD, IL 62707 (217) 793-8600 oasinc@tamvid.com	<b>OZYURT AND STONE, INC.</b> CONSULTING ENGINEERS	JOB NO.: 0305 FILE: SHLDR.DGN DATE: 03-15-04
--	---	--