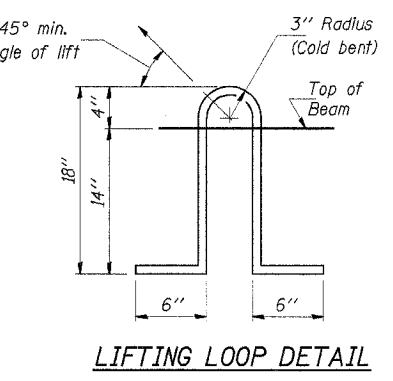
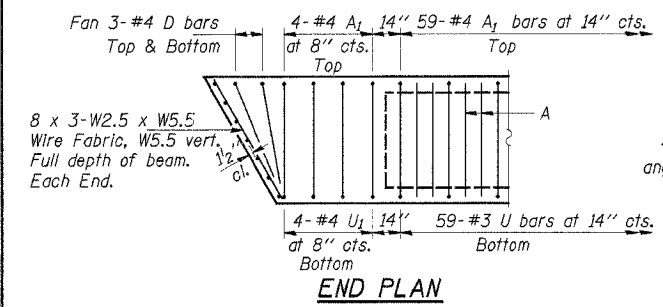
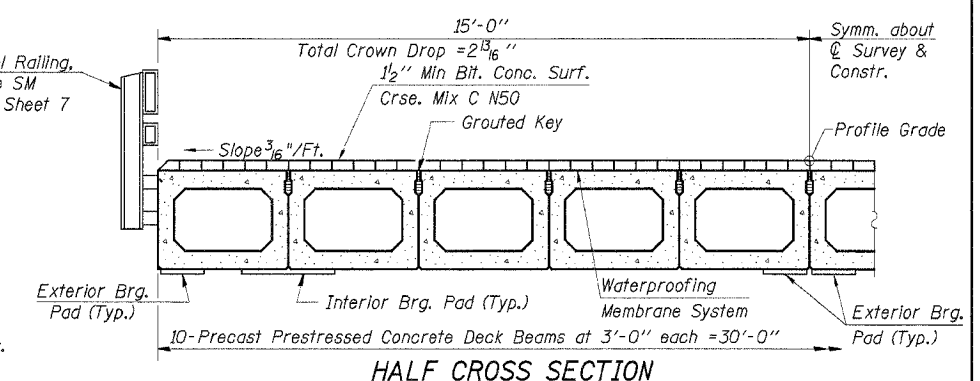
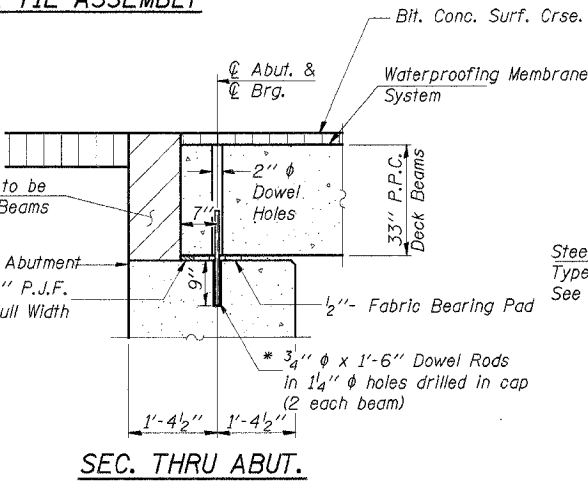
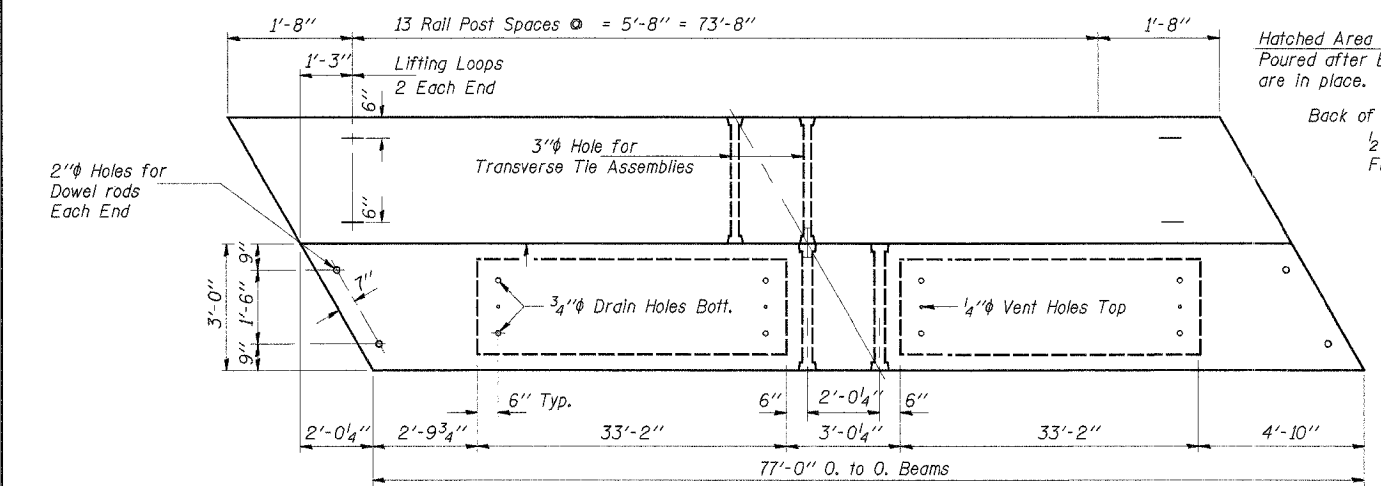
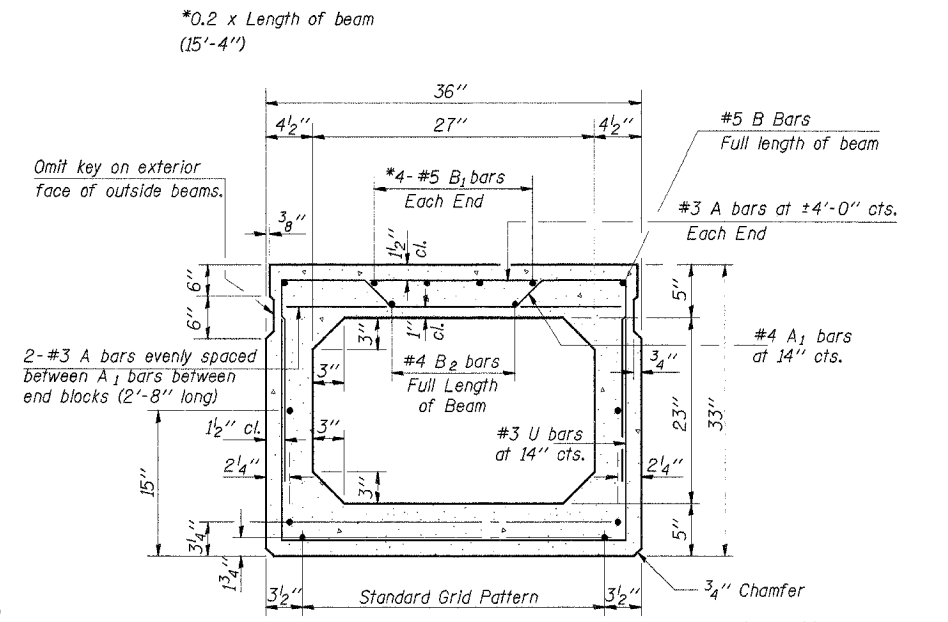
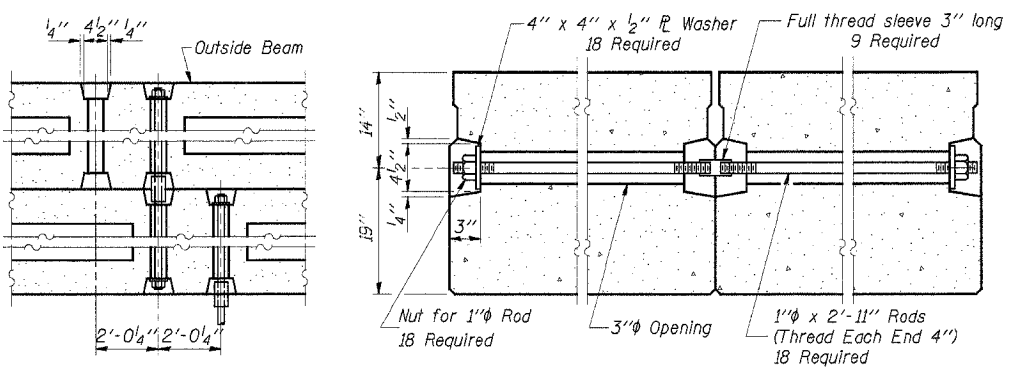
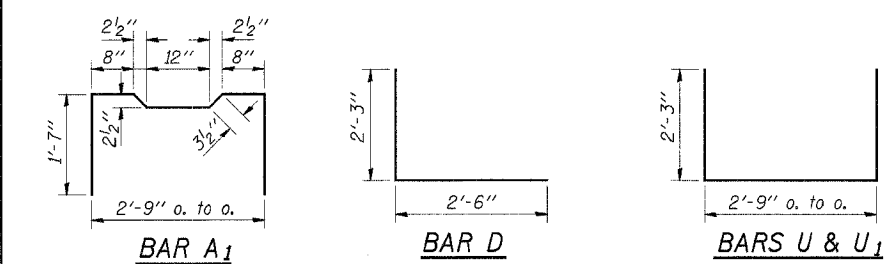
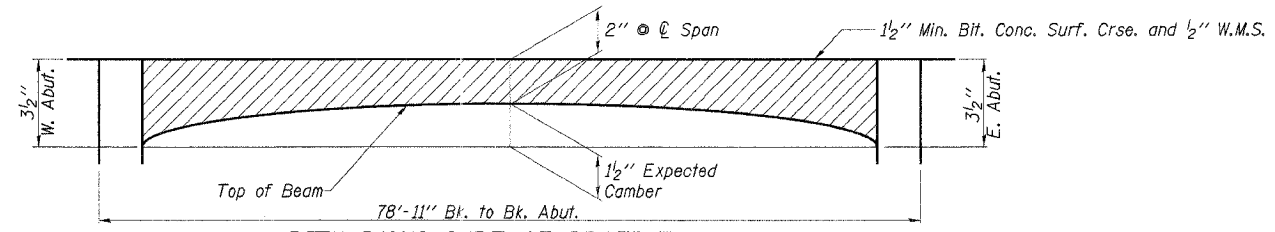
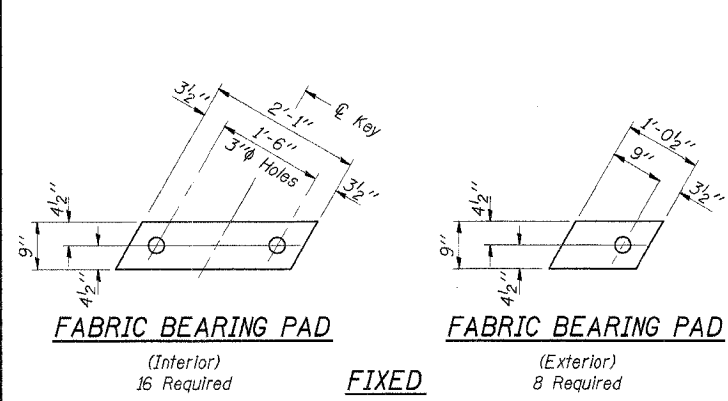


| ROUTE NO. | SECTION | COUNTY | TOTAL SHEETS | SHEET NO. |
|--------------------|--------------------|-----------|--------------------|-----------|
| C.H. 10 FAS 732 | 01-00083 -00-BR | CHRISTIAN | 12 | 6 |
| ROAD DIST. | | ILLINOIS | CONTRACT NO. 93403 | |



* Dowel Rods to be grouted after beams are in place and allowed to cure (Min. 24 hrs.) prior to grouting the shear keys.

NOTES
The top surface of the beams shall be finished in accordance with Article 504.06 of the Standard Specifications except that the surface shall not be roughed by brooming. The finished surface shall be free of depressions or high spots with sharp corners and the top edge of keys shall be rounded or chamfered a min. of 1/4".

Prestressing steel shall be uncoated high strength, low relaxation 7-wire strand, Grade 270. The nominal diameter shall be 1/2" and the nominal cross-sectional area shall be 0.153 sq. in. Lifting loops shall be 3-1/2" diameter 270 ksi strands, as shown. The 1" rods in the transverse tie assembly shall be tightened to a snug fit and the threads set. Pockets that receive transverse tie bar on outside shall be filled with grout after transverse tie assembly is in place. Reinforcement bars shall conform to the requirements of AASHTO M-31, M-42 or M-53 Grade 60. The bearing seat surfaces shall be adjusted by shimming to assure firm and even bearing. Two 1/8" fabric adjusting shims of the dimensions of the Exterior Bearing Pad shall be provided for each bearing. (No. Rq'd=48) Keyway surfaces shall be cleaned to remove form oil or other bond breaking material prior to shipment of the beams. Cleaning shall be done by sandblasting the keyway areas between top of the beam and the bottom edge of the key. A Calcium Nitrite Corrosion Inhibitor, as covered in the Special Provisions, shall be used in the concrete for precast prestressed concrete deck beams. Required Release Strength, f'ci, shall be 4,000 p.s.i. See Special Provisions for review and distribution of shop drawings. Rail post anchor devices shall be cast into outside beam as elsewhere specified.

BILL OF MATERIAL

| Item | Unit | Quantity |
|---|---------|----------|
| Precast Prestressed Concrete Deck Beams (33" Depth) | Sq. Ft. | 2310 |
| Bit. Conc. Surf. Crse., Mix C, N50 | Ton | 30 |
| Waterproofing Membrane System | Sq. Yd. | 257 |
| P.C. Mortar Fairing Course | Foot | 200 |

Estimated Total Weight (One Beam) = 55,120 Pounds

SUPERSTRUCTURE
SECTION 01-00083-00-BR
F.A.S. ROUTE 732
CHRISTIAN COUNTY
STATION 24+99

| | | |
|--|---|--|
| 4440 ASH GROVE SPRINGFIELD, IL 62707 (217) 793-9600 oasinc@tamvid.com | OZYURT AND STONE, INC. CONSULTING ENGINEERS | JOB NO.: 0304 FILE: SUPER.DGN DATE: 02-18-04 |
|--|---|--|