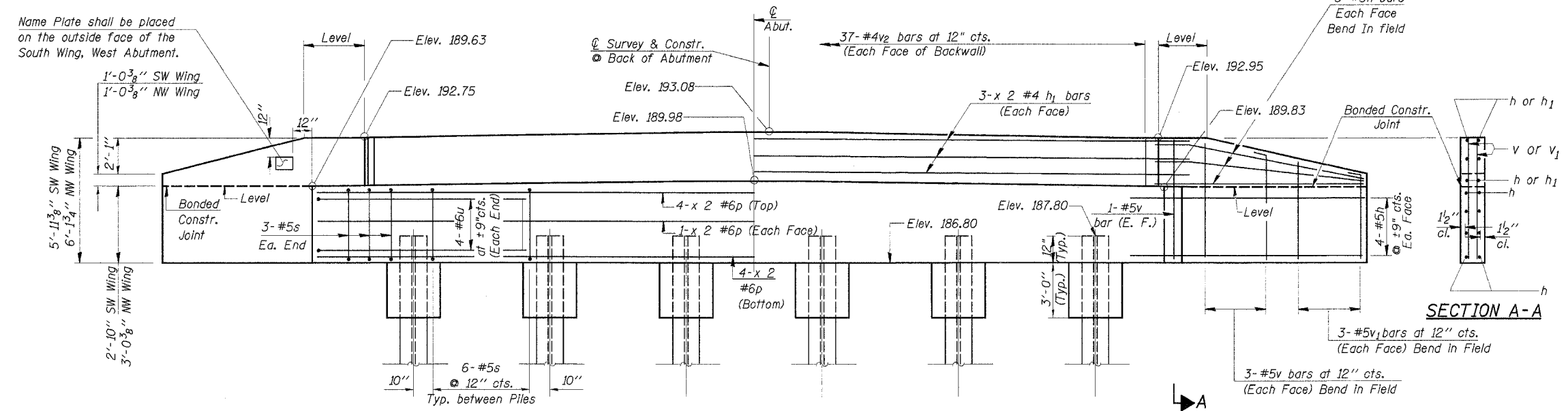


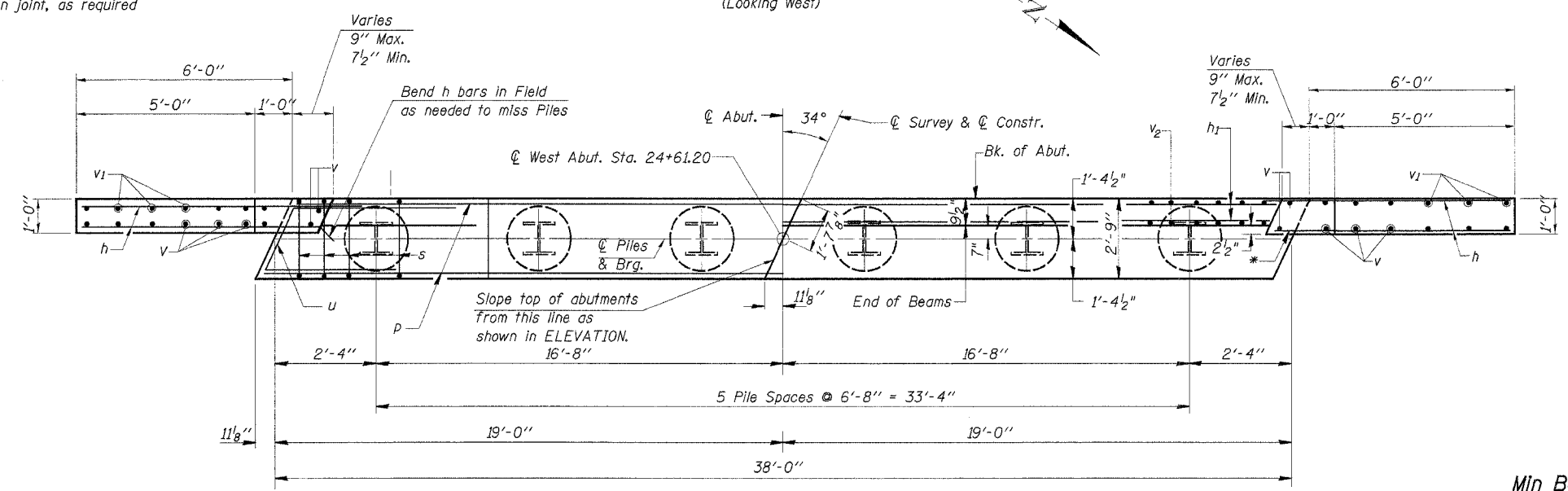
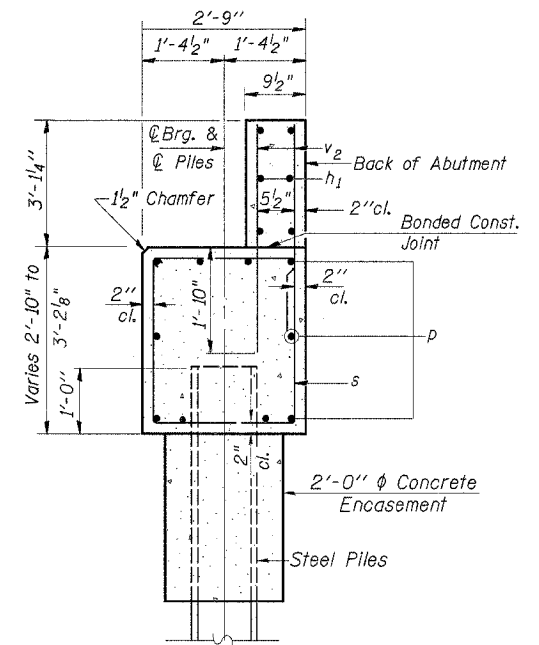
ROUTE NO.	SECTION	COUNTY	TOTAL SHEETS	SHEET NO.
C.H. 10 FAS 732	01-00083 -00-BR	CHRISTIAN	12	8
ROAD DIST.	ILLINOIS	CONTRACT NO. 93403		

NOTE: After beams are in place and dowel rods grouted, the backwall and the portions of the wingwall above the bonded construction joint shall be poured.

Name Plate shall be placed on the outside face of the South Wing, West Abutment.



\* Cut h bars in front face of wingwall, above bonded construction joint, as required to fit.



**WEST ABUTMENT  
BILL OF MATERIAL**

BAR	NO.	SIZE	LENGTH	SHAPE
h	28	#5	8'-0"	—
h <sub>1</sub>	12	#4	20'-8"	—
p	20	#6	19'-10"	—
s	36	#5	10'-9"	□
u	8	#6	12'-10"	∩
v	16	#5	5'-8"	—
v <sub>1</sub>	12	#5	4'-6"	—
v <sub>2</sub>	74	#4	4'-9"	—
Concrete Structures		Cu. Yd.	17.6	
Reinforcement Bars		Pound	1940	
Name Plates		Each	1	
Test Pile Steel HP10x42		Each	1	
Steel Piles HP10x42		Foot	300	
Concrete Encasement		Cu. Yd.	2.1	

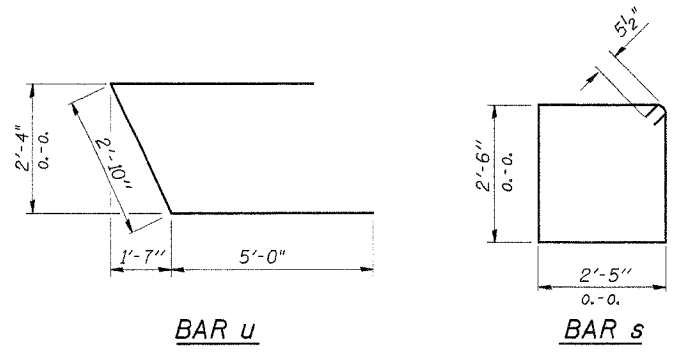
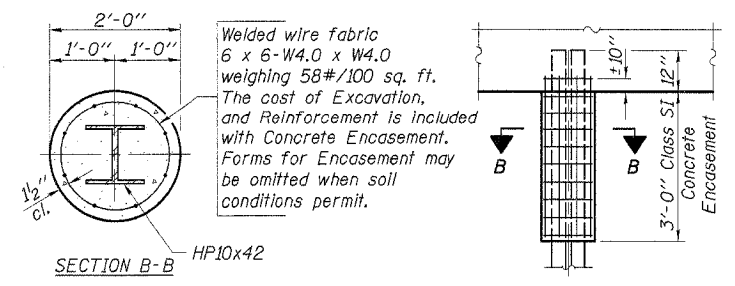
**Min Bar Lap**

#4 - 1'-4"  
#6 - 2'-0"

**PILE DATA**

Type \_\_\_\_\_ Steel HP10x42  
No. Req'd. (2 Abuts.) \_\_\_\_\_ 6\*  
Capacity \_\_\_\_\_ Refusal  
Est. Length \_\_\_\_\_ 60 Feet/Pile

\*Includes one test pile to be driven in a permanent location at the West Abutment.



DESIGNED	FJS
CHECKED	SFM
DRAWN	SAP & KTR
CHECKED	SFM

**WEST ABUTMENT**  
SECTION 01-00083-00-BR  
F.A.S. ROUTE 732  
CHRISTIAN COUNTY  
STATION 24+99

4440 ASH GROVE SPRINGFIELD, IL 62707 (217) 793-9600 oasinc@tamvid.com	<b>OZYURT AND STONE, INC.</b> CONSULTING ENGINEERS	JOB NO.: 0304 FILE: W.ABUT.DGN DATE: 02-18-04
--	---	---