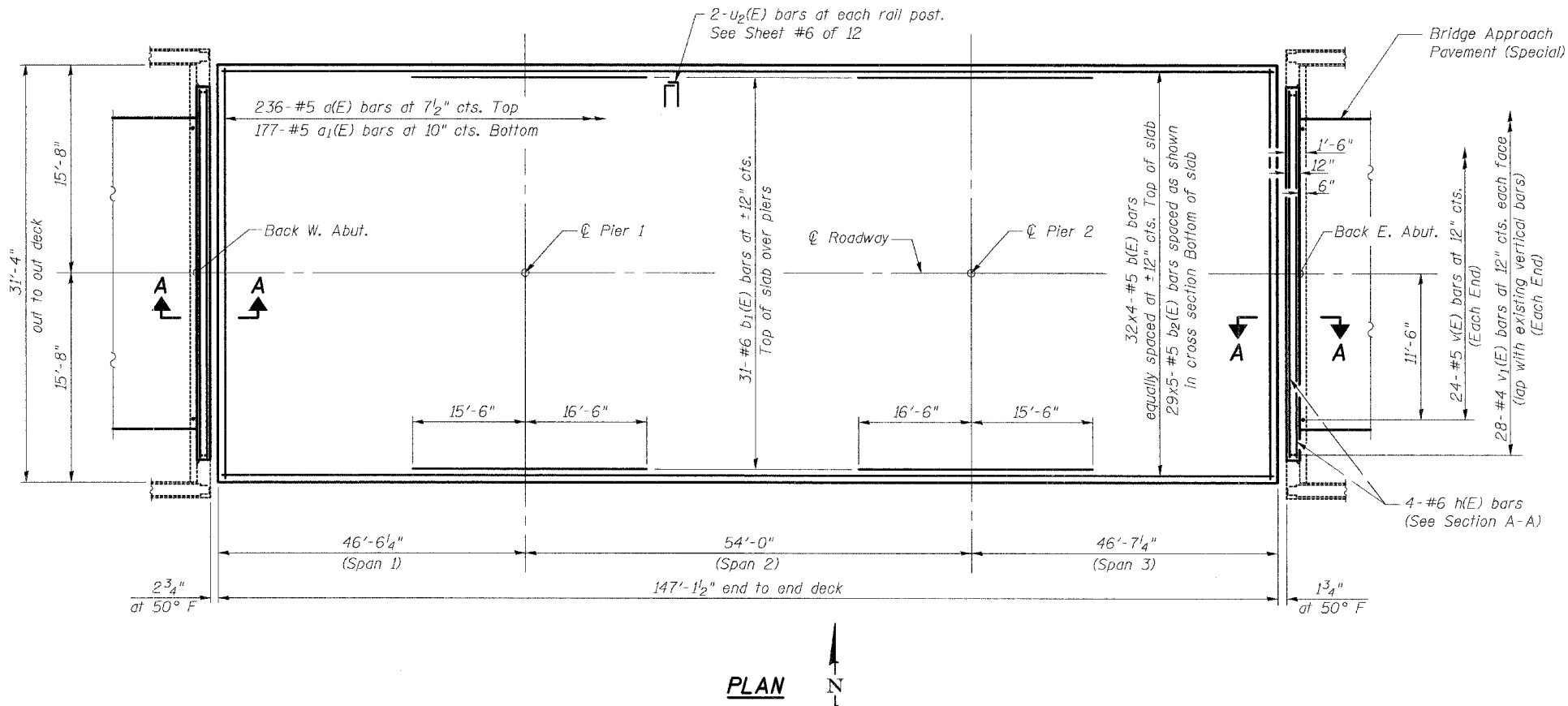


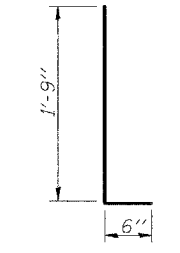
ROUTE NO.	SEC.	COUNTY	TOTAL SHEETS	SHEET NO.
FAS RTE 1588	*	ADAMS	38	12

FED. ROAD DIST. NO. 7 ILLINOIS PROJECT
 Location #1 Structure No. 001-3027
 * 05-00189-00-BR



Notes:
 Reinforcement bars designated (E) shall be epoxy coated.
 Bars indicated thus 20 x 3-#5 etc. indicates 20 lines of bars with 3 lengths per line.
 Adjust location of reinforcement bar in deck to miss Steel Rail Posts.
 Minimum bar lap of #5 bars = 2'-2".
 See Sheet #5 of 12 for Cross Section, Top of Abutment Backwall Removal, and Abutment Backwall Elevation.
 Existing reinforcement extending into the removal area shall be cleaned, straightened and incorporated into the new construction. Any reinforcement bars that are damaged during concrete removal shall be replaced with an approved bar splicer or anchorage system. Cost shall be included with Concrete Removal.
 Hatched areas indicate Concrete Removal.

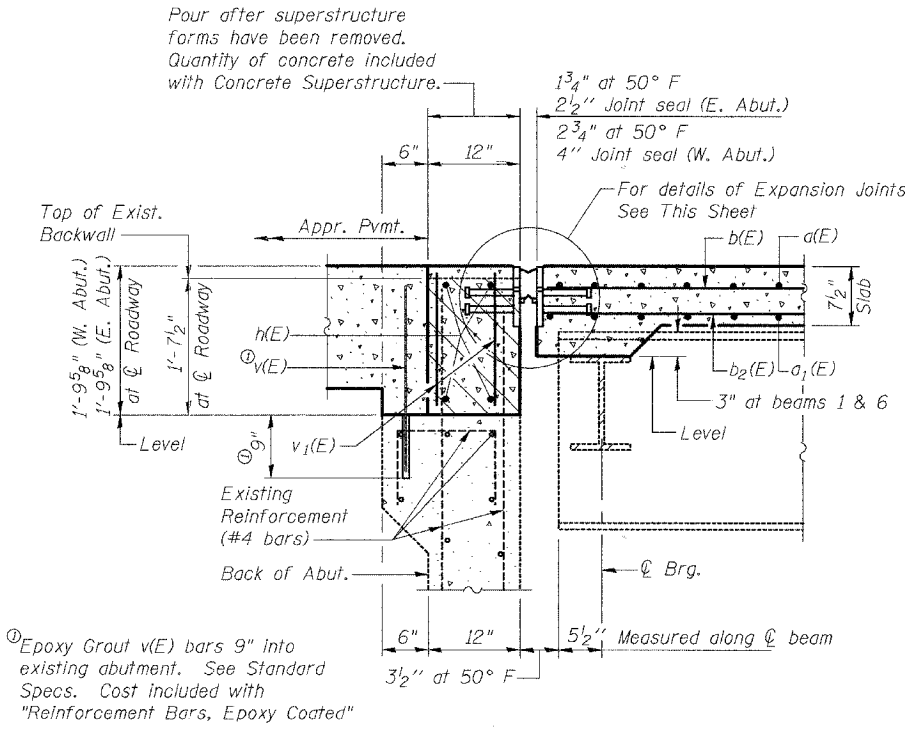
PLAN



BARS u₂(E)

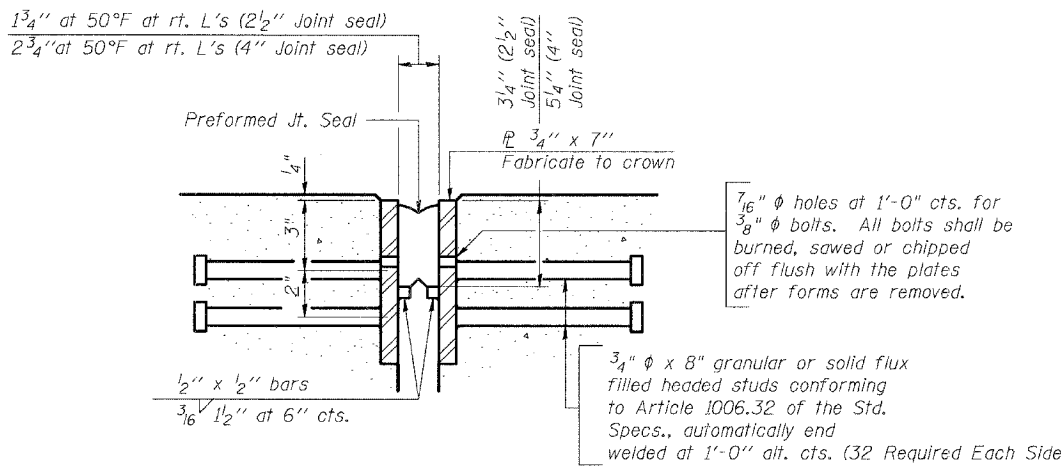
SUPERSTRUCTURE BILL OF MATERIAL

Bar	No.	Size	Length	Shape
a(E)	236	#5	31'-1"	—
a ₁ (E)	177	#5	31'-1"	—
b(E)	128	#5	38'-5"	—
b ₁ (E)	62	#6	32'-0"	—
b ₂ (E)	145	#5	31'-2"	—
h(E)	8	#6	27'-10"	—
v(E)	48	#5	2'-0"	—
v ₁ (E)	112	#4	1'-2"	—
u ₂ (E)	100	#4	2'-3"	—
Reinforcement Bars, Epoxy Coated			POUND	26,880
Concrete Superstructure			CU. YD.	116.0
Concrete Removal			CU. YD.	3.1
Protective Coat			SQ. YD.	512
Bridge Deck Grooving			SQ. YD.	458

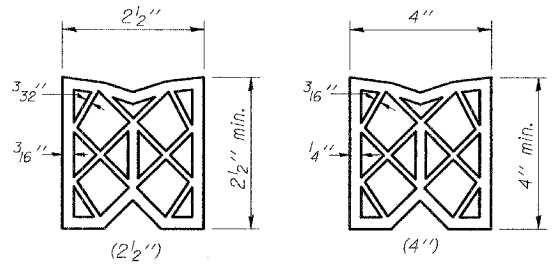


SECTION A-A

① Epoxy Grout v(E) bars 9" into existing abutment. See Standard Specs. Cost included with "Reinforcement Bars, Epoxy Coated"



SECTION THRU EXPANSION JOINT (2 1/2" and 4" joint seals)



PREFORMED JOINT SEAL

GENERAL NOTES

Furnish steel plates in segments of 20 feet maximum length. Maximum space between installed segments shall be 3/16". Seal space with silicone sealant suitable for structural steel.
 Cost of Structural Steel Plates, studs and bars shall be included in the unit price for Preformed Joint Seal.

BILL OF MATERIAL

Item	Unit	Total
Preformed Joint Seal 2 1/2"	FOOT	31.5
Preformed Joint Seal 4"	FOOT	31.5

REV. NO.	DRAWN	CHKD.	APPD.	DESCRIPTION	DATE
	EAW				12/05
F.A.S. RTE. 1588 OVER CURL CREEK SECTION 05-00189-00-BR Project RS-1588 (106) ADAMS COUNTY SUPERSTRUCTURE STRUCTURE NUMBER 001-3027 STATION 336+56					

9:43:30 AM
 1/25/2006
 pt:\0511\res\0518013\Final_Bridge_Plans\001-3027-Bridge.dgn