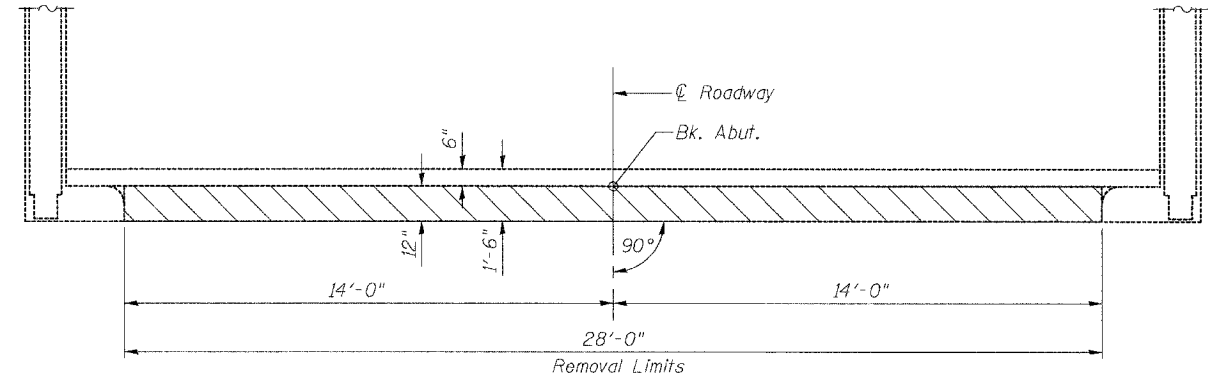
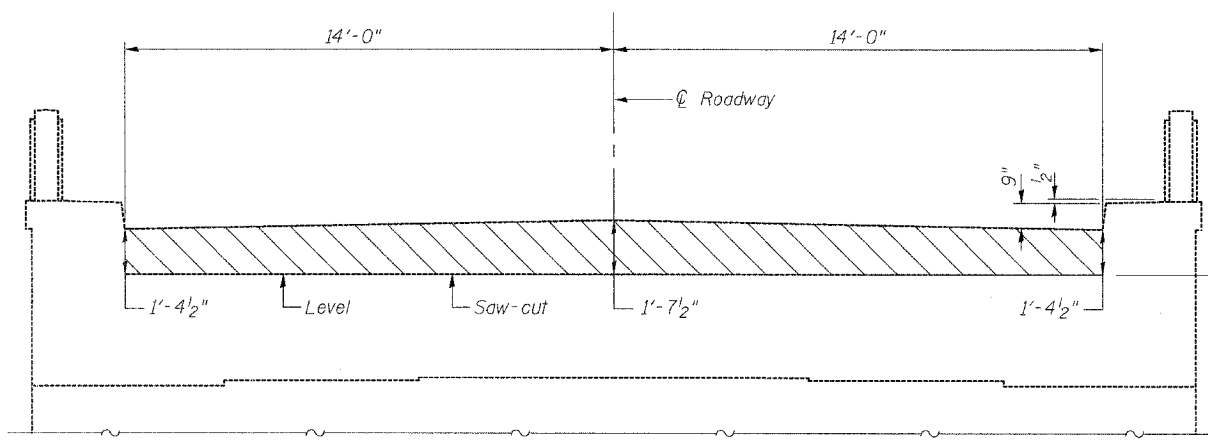
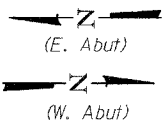


ROUTE NO.	SEC.	COUNTY	TOTAL SHEETS	SHEET NO.
FAS RTE 1588	*	ADAMS	38	13

FED. ROAD DIST. NO. 7 ILLINOIS PROJECT
 Location #1 Structure No. 001-3027
 * 05-00189-00-BR



PLAN

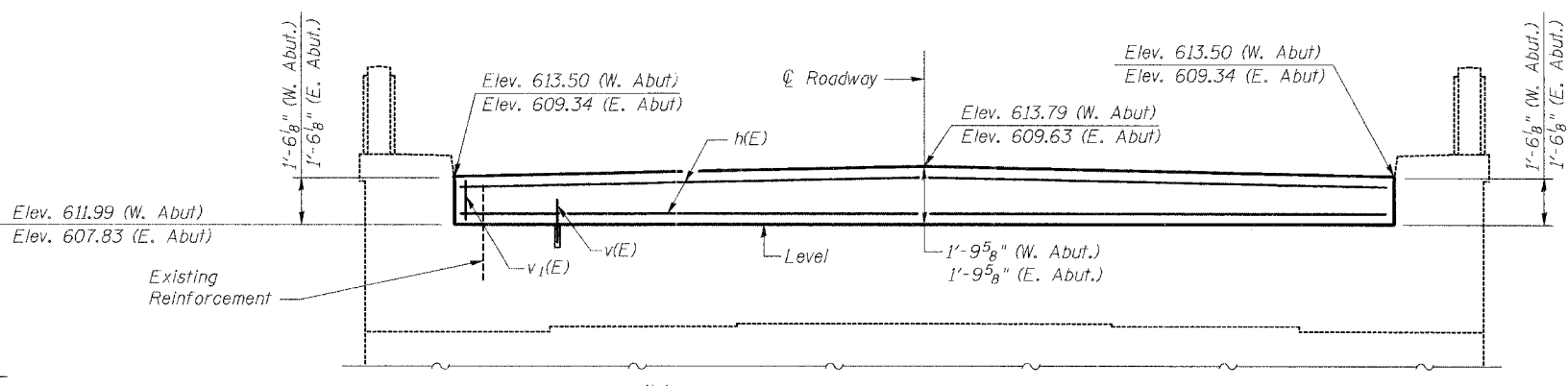


ELEVATION

(Looking West at W. Abut.)
 (Looking East at E. Abut.)

Note: Elevations and vertical dimensions are at back of abutment.

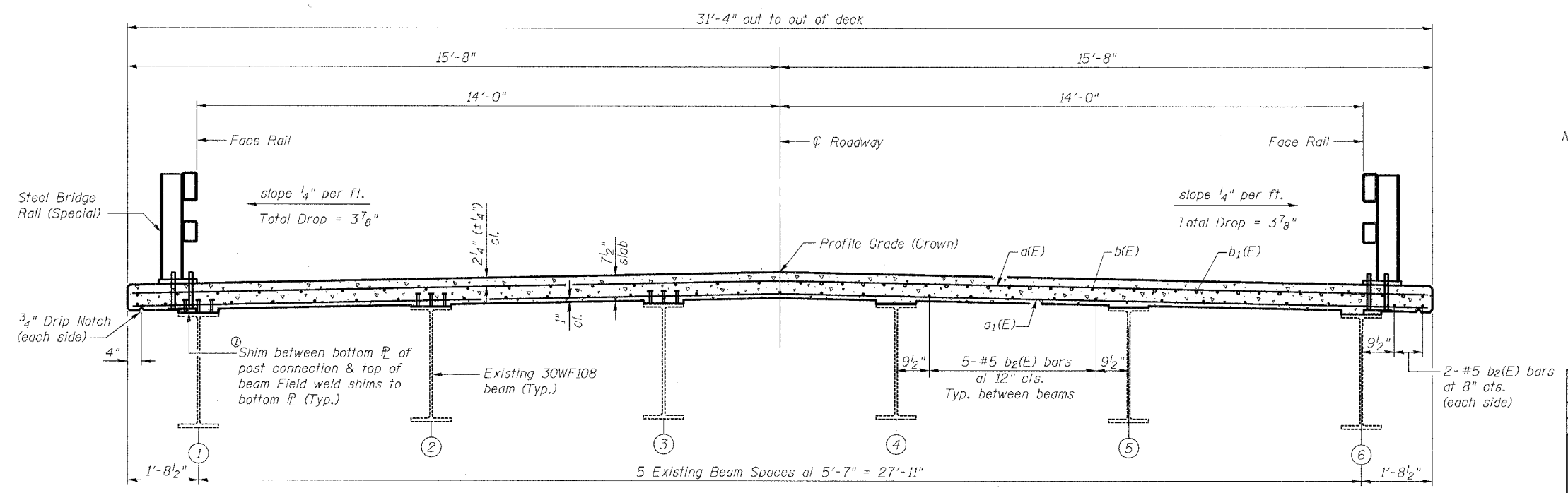
TOP OF ABUTMENT BACKWALL REMOVAL



ABUTMENT BACKWALL ELEVATION

(Looking West at W. Abut.)
 (Looking East at E. Abut.)

Note: Elevations and vertical dimensions are at back of abutment.



CROSS SECTION

(Looking East)

Notes:
 Hatched areas indicate Concrete Removal.
 See Sheet #4 of 12 for Plan & Superstructure Bill of Material.

REV. NO.	DRAWN	CHKD.	APPD.	DESCRIPTION	DATE
	BGJ				12/05
F.A.S. RTE. 1588 OVER CURL CREEK SECTION 05-00189-00-BR Project RS-1588 (106) ADAMS COUNTY					
SUPERSTRUCTURE STRUCTURE NUMBER 001-3027 STATION 336+56					

① Cost included with "Steel Bridge Rail (Special)"

9:43:30 AM
 1/25/2006
 ps:\05711es\050013\Final Bridge Plans\001-3027-Bridge.dgn