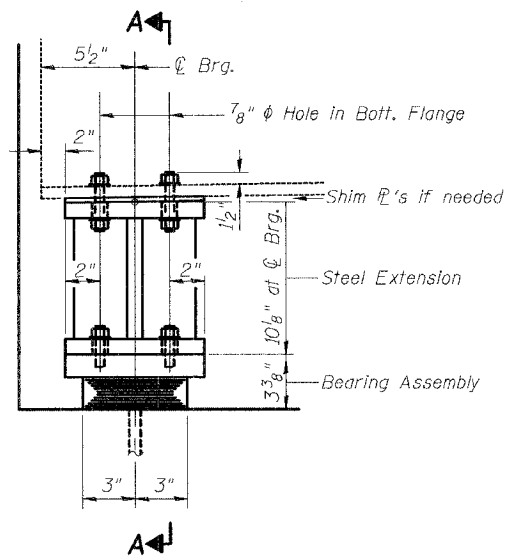
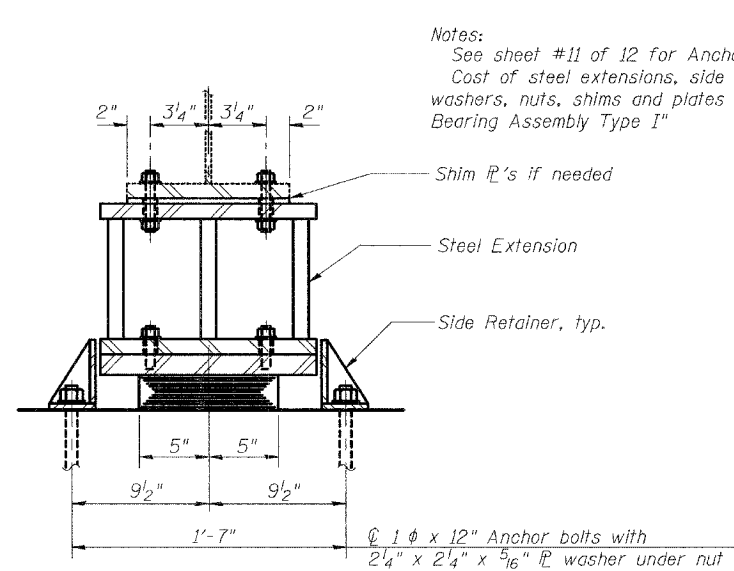


9:43:30 AM
 1/25/2006
 P:\05Files\050013\Final Bridge Plans\001-3027-Bridge.dgn

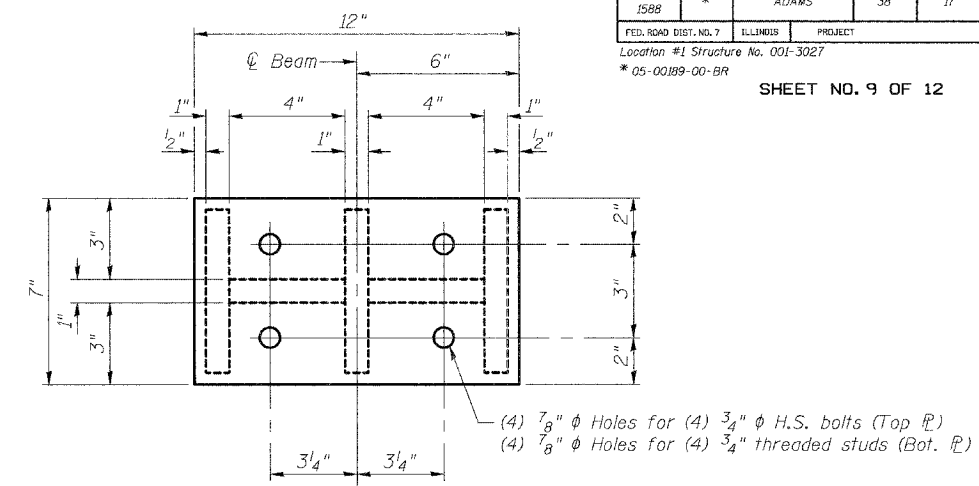


ELEVATION AT EAST ABUTMENT



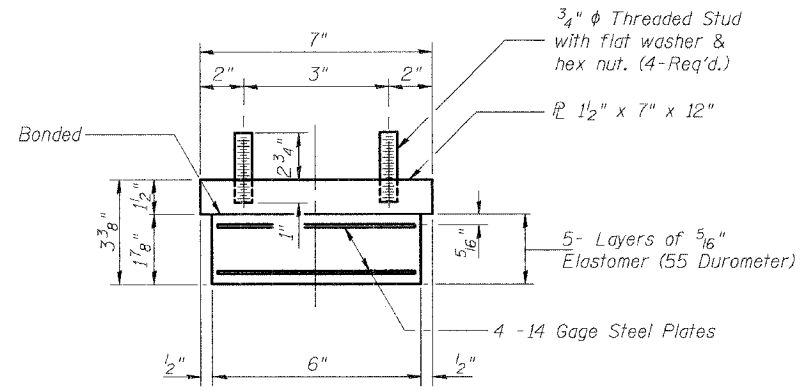
SECTION A-A

Notes:
 See sheet #11 of 12 for Anchor Bolt Installation.
 Cost of steel extensions, side retainers, anchor bolts, washers, nuts, shims and plates are included in "Elastomeric Bearing Assembly Type I"



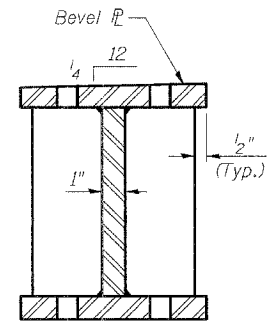
PLAN STEEL EXTENSION

TYPE I ELASTOMERIC EXPANSION BEARING

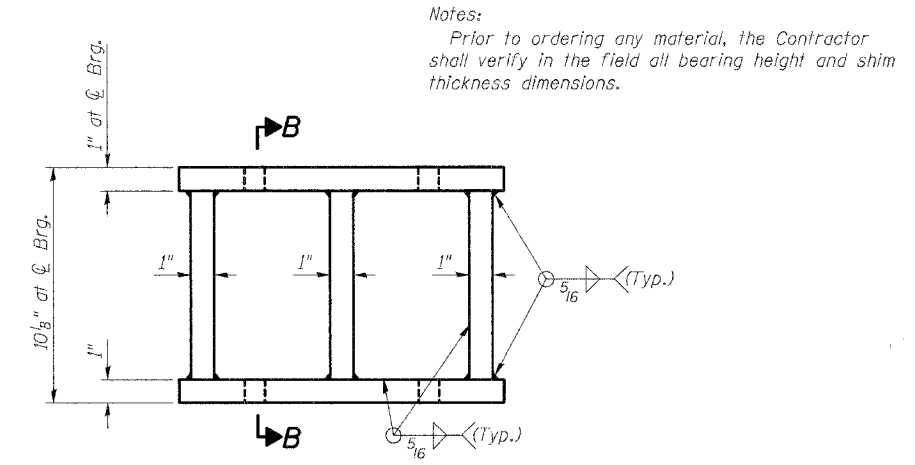


BEARING ASSEMBLY

Note: Shim plates shall not be placed under Bearing Assembly.

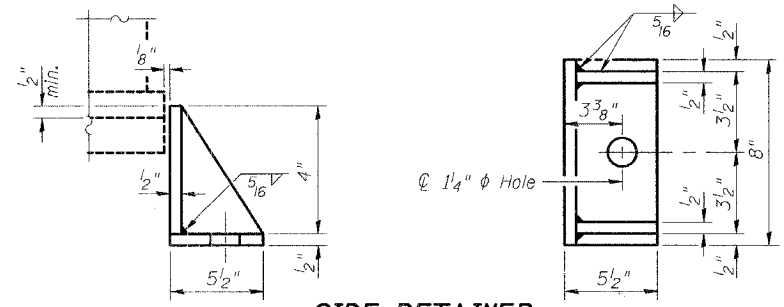


SECTION B-B



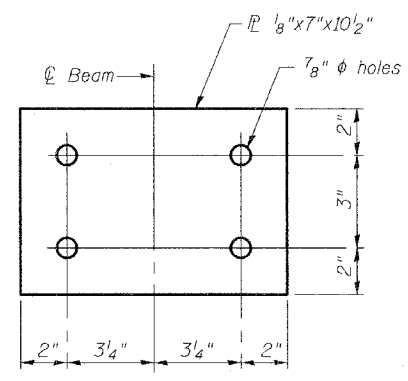
ELEVATION STEEL EXTENSION

Notes:
 Prior to ordering any material, the Contractor shall verify in the field all bearing height and shim thickness dimensions.



SIDE RETAINER

Equivalent rolled angle with stiffeners will be allowed in lieu of welded plates.



SHIM P
(12 Required)

BILL OF MATERIAL

Item	Unit	Total
Elastomeric Bearing Assembly Type I	EACH	6

REV. NO.	DRAWN	CHKD.	APPD.	DESCRIPTION	DATE
	BGJ				12/05

F.A.S. RTE. 1588 OVER CURL CREEK
 SECTION 05-00189-00-BR
 Project RS-1588 (106)
 ADAMS COUNTY

TYPE I ELASTOMERIC BEARING
STRUCTURE NUMBER 001-3027
STATION 336+56

CONTRACTOR IS RESPONSIBLE FOR INSTALLATION ONLY.
MATERIAL WILL BE FABRICATED AND FURNISHED
BY ADAMS COUNTY.