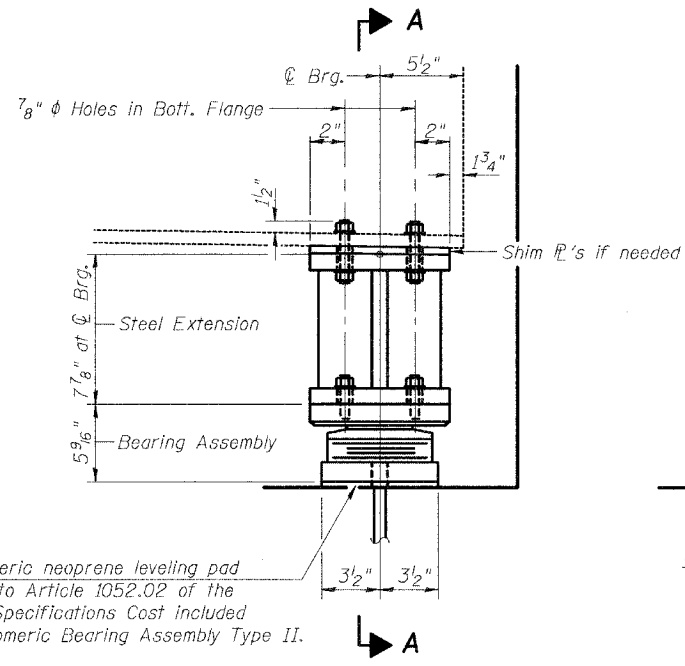


ROUTE NO.	SEC.	COUNTY	TOTAL SHEETS	SHEET NO.
FAS RTE 1588	*	ADAMS	38	19
FED. ROAD DIST. NO. 7		ILLINOIS	PROJECT	

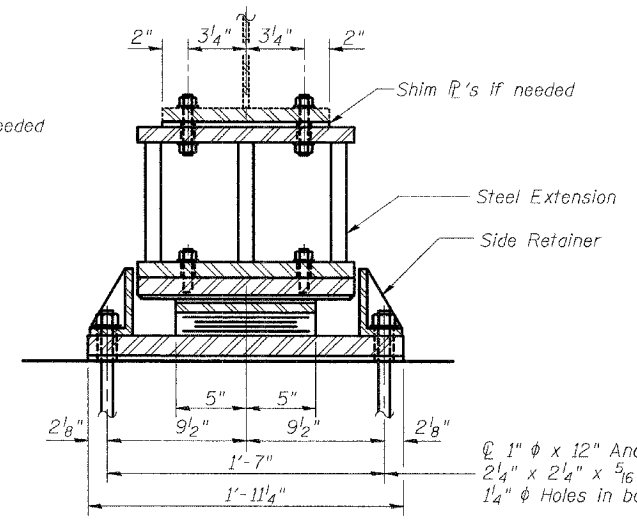
Location #1 Structure No. 001-3027
*05-00189-00-BR

Notes:
See sheet #11 of 12 for Anchor Bolt installation.
Cost of steel extensions, side retainers, anchor bolts, washers, nuts, shims and plates are included in "Elastomeric Bearing Assembly Type II"

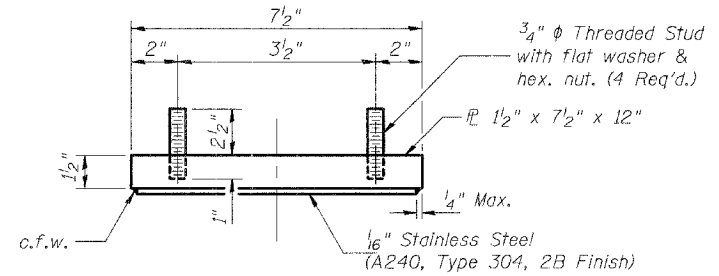


ELEVATION AT WEST ABUTMENT

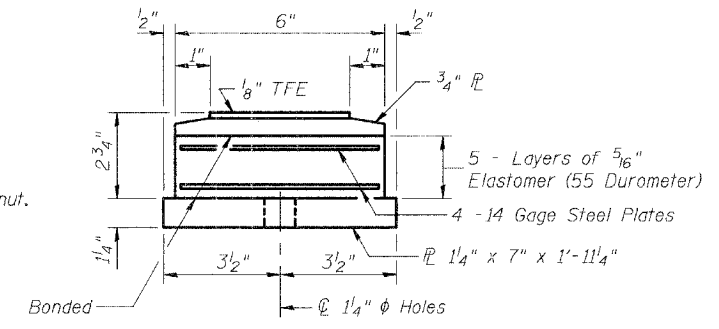
TYPE II ELASTOMERIC EXPANSION BEARING



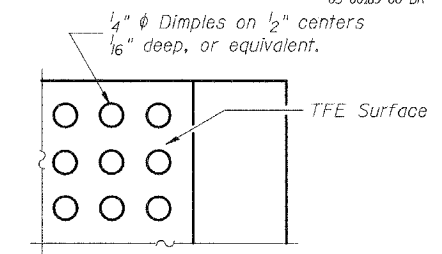
SECTION A-A



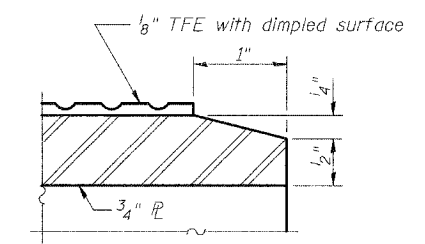
TOP BEARING ASSEMBLY



BOTTOM BEARING ASSEMBLY



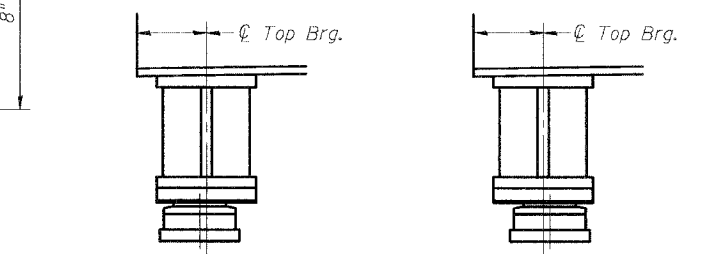
PLAN-TFE SURFACE



SECTION THRU TFE

Note: The 1/8" TFE sheet shall be bonded directly to the top steel plate with a two-component, medium viscosity epoxy resin, conforming to the requirements of the Federal Specification MMM-A-134, Type I. The bond agent shall be applied on the full area of the contact surfaces.

Bonding of 1/8" TFE sheet during vulcanizing process will be permitted provided the process and method of adjusting assembly height is approved by the Engineer.



BELOW 50°F. (Move bott. brg. away from fixed brg.)
ABOVE 50°F. (Move bott. brg. toward fixed brg.)

SETTING ANCHOR BOLTS AT EXPANSION BEARING

D=1/8" per each 100' of expansion for every 15° temp. change from the normal temp. of 50°F.

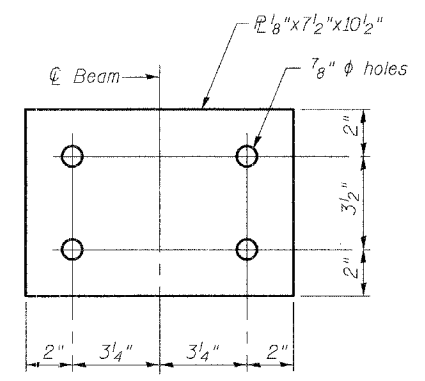
BILL OF MATERIAL

Item	Unit	Total
Elastomeric Bearing Assembly Type II	EACH	6

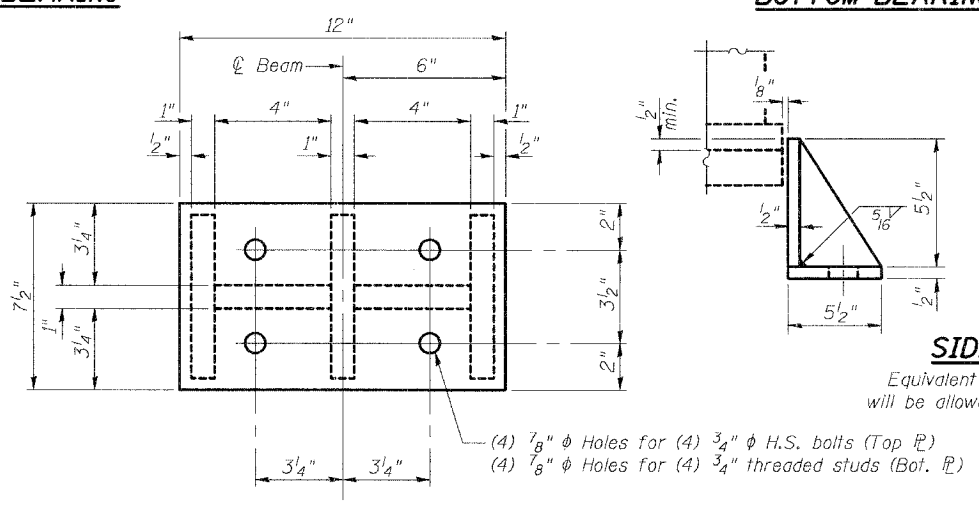
REV. NO.	DRAWN	CHKD.	APPD.	DESCRIPTION	DATE
	BGJ				12/05

F.A.S. RTE. 1588 OVER CURL CREEK
SECTION 05-00189-00-BR
Project RS-1588 (106)
ADAMS COUNTY
TYPE II ELASTOMERIC BEARING
STRUCTURE NUMBER 001-3027
STATION 336+56

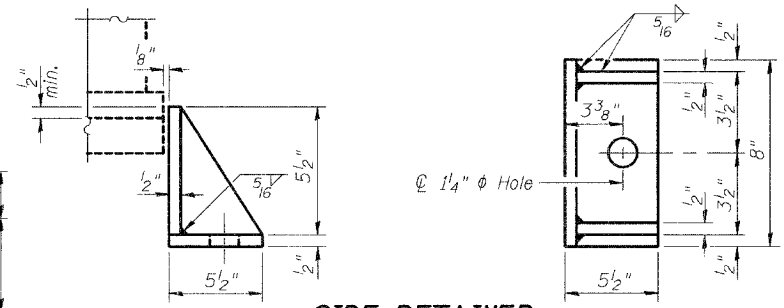
CONTRACTOR IS RESPONSIBLE FOR INSTALLATION ONLY.
MATERIAL WILL BE FABRICATED AND FURNISHED BY ADAMS COUNTY.



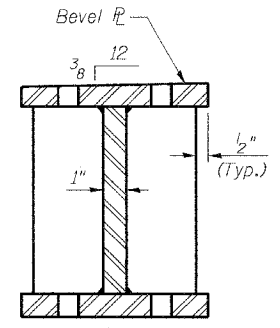
SHIM P
(12 Required)



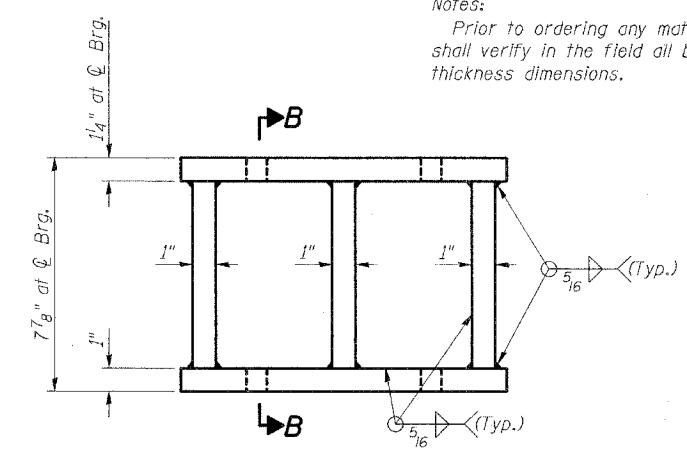
PLAN STEEL EXTENSION



SIDE RETAINER
Equivalent rolled angle with stiffeners will be allowed in lieu of welded plates.



SECTION B-B



ELEVATION STEEL EXTENSION

Notes:
Prior to ordering any material, the Contractor shall verify in the field all bearing height and shim thickness dimensions.

9:43:30 AM 1/25/2006 ps:\05f1\les\050013\Final Br-Edge Plans\01-3027-Br-Edge.dgn