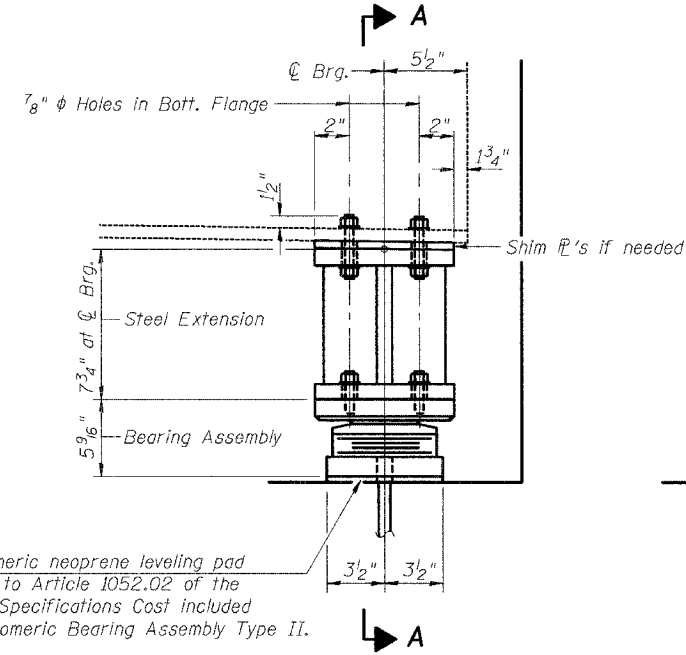


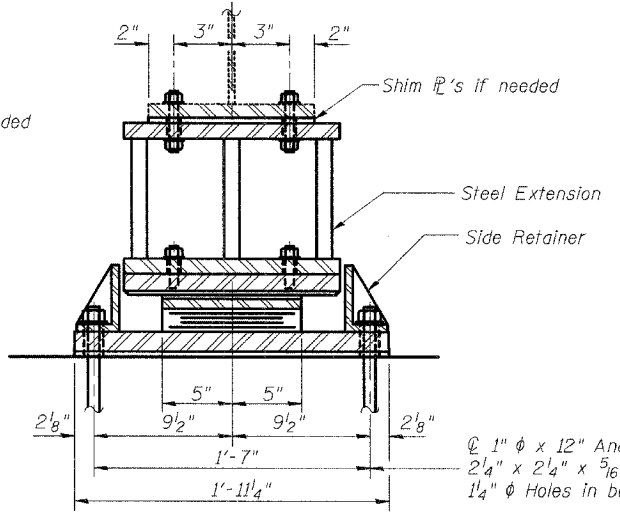
| ROUTE NO.    | SEC. | COUNTY | TOTAL SHEETS | SHEET NO. |
|--------------|------|--------|--------------|-----------|
| FAS RTE 1588 | *    | ADAMS  | 38           | 35        |

FED. ROAD DIST. NO. 7 ILLINOIS PROJECT  
 Location #2 Structure No. 001-3028  
 \*05-00189-00-BR

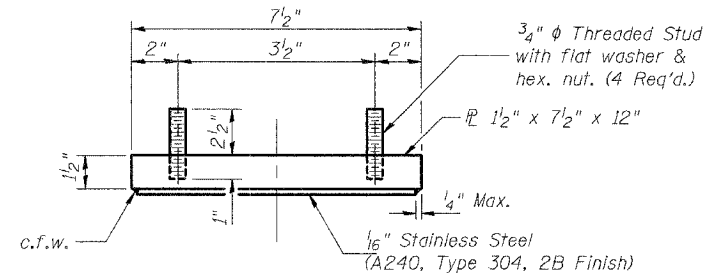
Notes:  
 See sheet #11 of 13 for Anchor Bolt installation.  
 Cost of steel extensions, side retainers, anchor bolts, washers, nuts, shims and plates are included in "Elastomeric Bearing Assembly Type II"



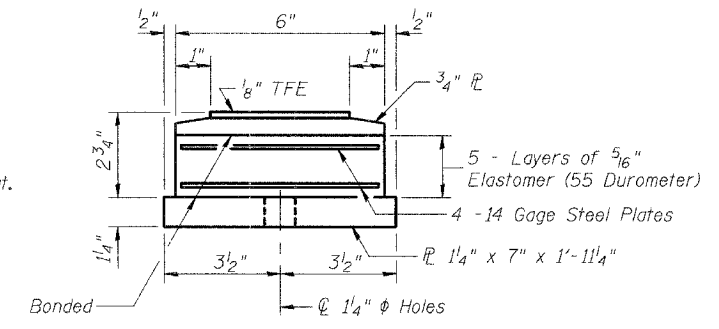
ELEVATION AT WEST ABUTMENT



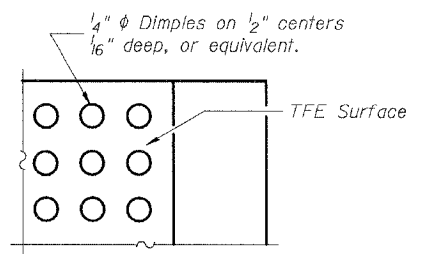
SECTION A-A



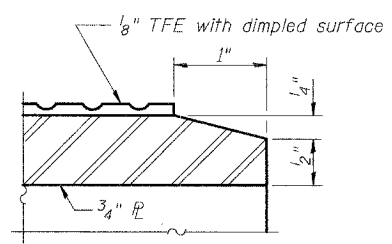
TOP BEARING ASSEMBLY



BOTTOM BEARING ASSEMBLY



PLAN-TFE SURFACE



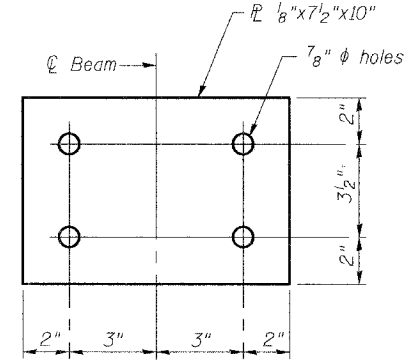
SECTION THRU TFE

Note: The 1/8" TFE sheet shall be bonded directly to the top steel plate with a two-component, medium viscosity epoxy resin, conforming to the requirements of the Federal Specification MMM-A-134, Type I. The bond agent shall be applied on the full area of the contact surfaces.

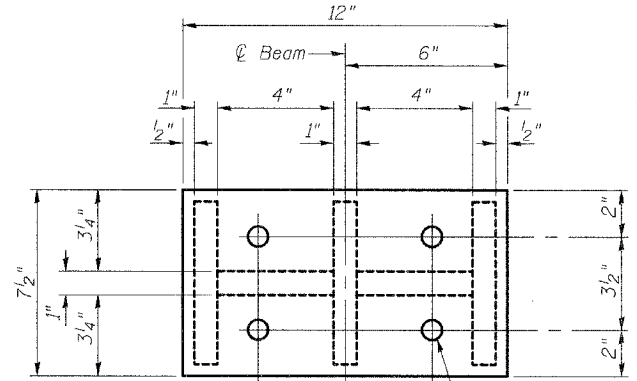
Bonding of 1/8" TFE sheet during vulcanizing process will be permitted provided the process and method of adjusting assembly height is approved by the Engineer.

1/8" elastomeric neoprene leveling pad according to Article 1052.02 of the Standard Specifications Cost included with Elastomeric Bearing Assembly Type II.

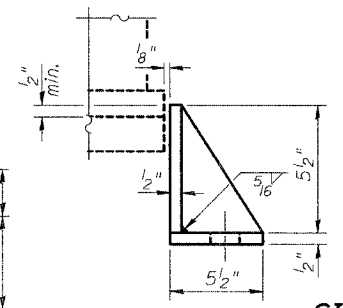
TYPE II ELASTOMERIC EXPANSION BEARING



SHIM PL (12 Required)

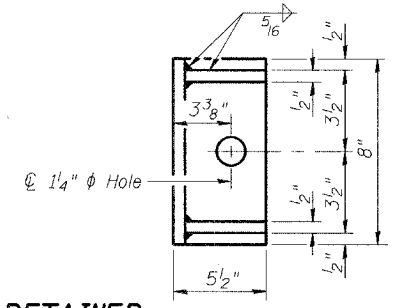


PLAN STEEL EXTENSION



SIDE RETAINER

Equivalent rolled angle with stiffeners will be allowed in lieu of welded plates.



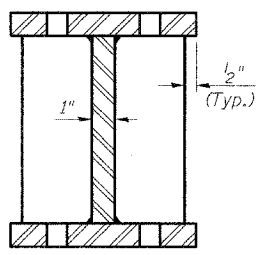
BELOW 50°F. (Move bott. brg. away from fixed brg.)  
 ABOVE 50°F. (Move bott. brg. toward fixed brg.)

SETTING ANCHOR BOLTS AT EXPANSION BEARING

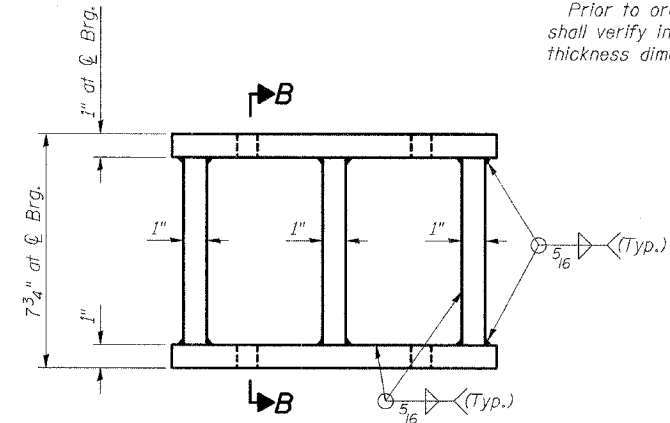
D=1/8" per each 100' of expansion for every 15° temp. change from the normal temp. of 50°F.

BILL OF MATERIAL

| Item                                 | Unit | Total |
|--------------------------------------|------|-------|
| Elastomeric Bearing Assembly Type II | EACH | 6     |



SECTION B-B



ELEVATION STEEL EXTENSION

Notes:  
 Prior to ordering any material, the Contractor shall verify in the field all bearing height and shim thickness dimensions.

CONTRACTOR IS RESPONSIBLE FOR INSTALLATION ONLY. MATERIAL WILL BE FABRICATED AND FURNISHED BY ADAMS COUNTY.

| REV. NO.  | DRAWN | CHKD. | APPD. | DESCRIPTION | DATE  |
|---|-------|-------|-------|-------------|-------|
|   | BGJ   |       |       |             | 12/05 |
| F.A.S. RTE. 1588 OVER WALNUT CREEK<br>SECTION 05-00189-00-BR<br>Project RS-1588 (106)<br>ADAMS COUNTY<br>TYPE II ELASTOMERIC BEARING<br>STRUCTURE NUMBER 001-3028<br>STATION 407+65 |       |       |       |             |       |

9:17:07 AM  
 1/25/2006  
 p:\05files\050014\final bridge plans\01-3028-bridgedgn