

ROUTE NO.	SECTION	COUNTY	TOTAL SHEETS	SHEET NO.
CH 3	*	PIKE	17	2
FED. ROAD DIST. NO. 7	ILLINOIS	PROJECT	BRS-601(17)	
*04-00079-00-BR				

**GENERAL NOTES**

THE REMOVAL OF THE EXISTING OVERLAY, GRAVEL, OR CRUSHED STONE BASE COURSE WHICH MAY BE NECESSARY FOR THE CONSTRUCTION OF THE NEW BRIDGE SHALL BE REMOVED AS STRUCTURE EXCAVATION AND NO ADDITIONAL COMPENSATION WILL BE ALLOWED FOR ADDITIONAL LABOR OR EQUIPMENT REQUIRED.

ALL WASTE OR UNDESIRABLE MATERIAL AS IDENTIFIED BY THE ENGINEER SHALL BE DISPOSED OF OUTSIDE THE LIMITS OF THE RIGHT OF WAY AT THE CONTRACTOR'S EXPENSE.

ALL EXISTING PRIVATELY OWNED UTILITIES REQUIRING ADJUSTMENT WILL BE MADE BY THE UTILITY COMPANY INVOLVED. WHERE NO PROVISIONS HAVE BEEN MADE FOR ADJUSTMENTS ON THE PLANS, NO ADDITIONAL COMPENSATION WILL BE ALLOWED DUE TO DELAYS OR INCONVENIENCES CAUSED BY THE SAID UTILITY ADJUSTMENTS.

THE PROFILE GRADE ELEVATIONS SHOWN ON THE PLAN AND PROFILE SHEETS AND IN THE STATION CROSS SECTIONS ARE TO THE TOP OF THE FINISHED SURFACE.

THE LOCATION OF UNDERGROUND UTILITIES SHOWN ON THE PLANS REPRESENTS THE BEST KNOWLEDGE OF THE COUNTY. IT SHALL BE THE CONTRACTOR'S RESPONSIBILITY AS DETAILED IN SECTION 563 OF THE STANDARD SPECIFICATIONS, TO VERIFY LOCATIONS OF UNDERGROUND INSTALLATIONS BEFORE STARTING CONSTRUCTION OPERATIONS. THE CONTRACTOR SHALL INDEMNIFY THE COUNTY, ITS OFFICERS AND EMPLOYEES AGAINST ALL CLAIMS DUE TO DAMAGE TO CORPORATE OR PRIVATE PROPERTY RESULTING FROM HIS CONSTRUCTION OPERATIONS AS DESCRIBED IN ARTICLES 107.20 AND 107.26 OF THE STANDARD SPECIFICATIONS.

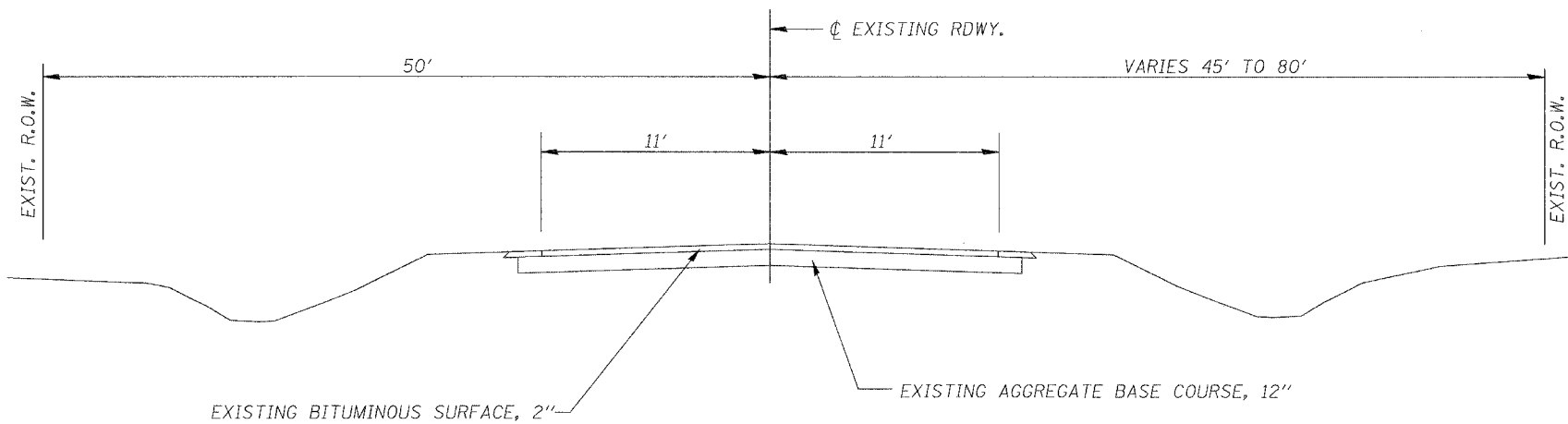
THE CONTRACTOR MAY BE REQUIRED TO CONDUCT SOME OF HIS GRADING AND TRENCHING OPERATIONS AROUND TRANSMISSION POLES AND UNDER TRANSMISSION LINES. THE ADDED COST OF SO DOING SHALL BE CONSIDERED INCIDENTAL TO EARTH EXCAVATION.

WHERE SECTION OR SUBSECTION MONUMENTS ARE ENCOUNTERED, THE ENGINEER SHALL BE NOTIFIED BEFORE SUCH MONUMENTS ARE REMOVED. THE CONTRACTOR SHALL PROTECT AND PRESERVE PROPERTY MARKERS UNTIL THE OWNER, AN AUTHORIZED SURVEYOR, OR AGENT, HAS WITNESSED OR OTHERWISE REFERENCED THEIR LOCATION.

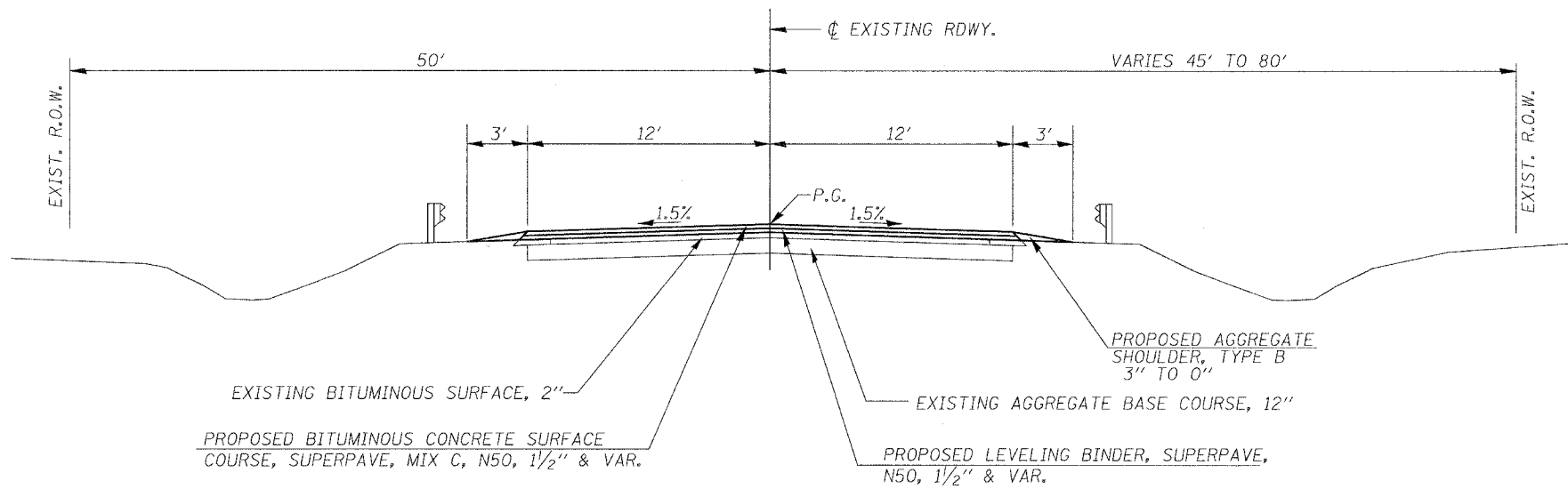
ALL ELEVATIONS SHOWN REFER TO AN ASSUMED DATUM.

**BITUMINOUS CONCRETE MIXTURE REQUIREMENTS**

ITEM	AC/PG	RAP % (MAX.)	VOIDS	MIXTURE COMPOSITION	FRICTION AGGREGATE
BINDER CSE, SUPERPAVE	PG 64-22	15%	4.0% @ N50	IL 9.5 OR IL 12.5	N/A
SURFACE CSE, SUPERPAVE	PG 64-22	15%	4.0% @ N50	IL 9.5 OR IL 12.5	MIXTURE "C"



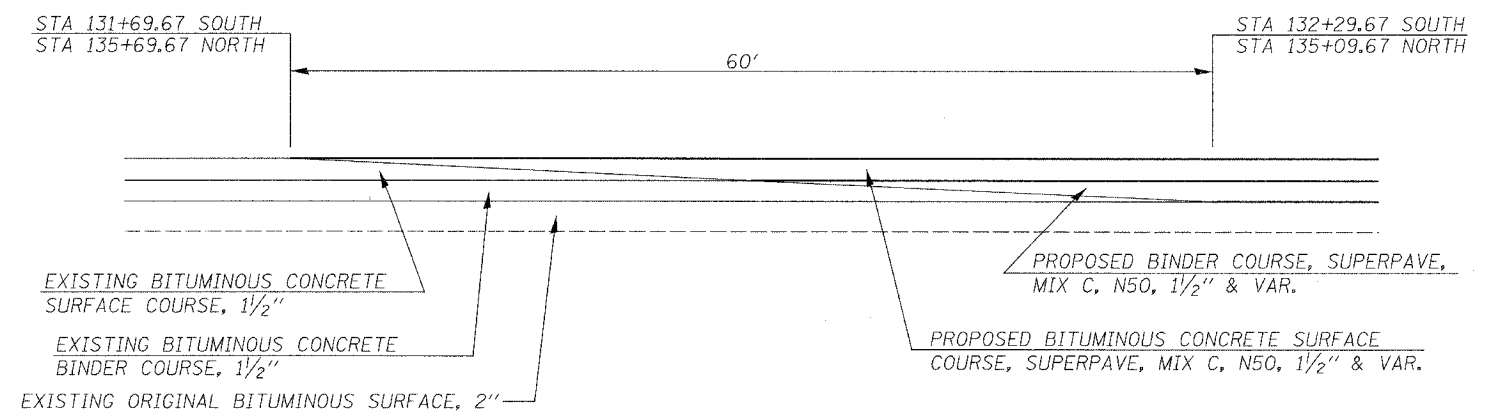
**EXISTING TYPICAL SECTION**



**PROPOSED TYPICAL SECTION**

STA. 131+69.67 TO STA. 132+80.46  
STA. 134+59.29 TO STA. 135+69.67

BRIDGE OMISSION  
STA. 132+80.46 TO STA. 134+59.29



**TAPER DETAIL AT NORTH AND SOUTH END OF PROJECT**