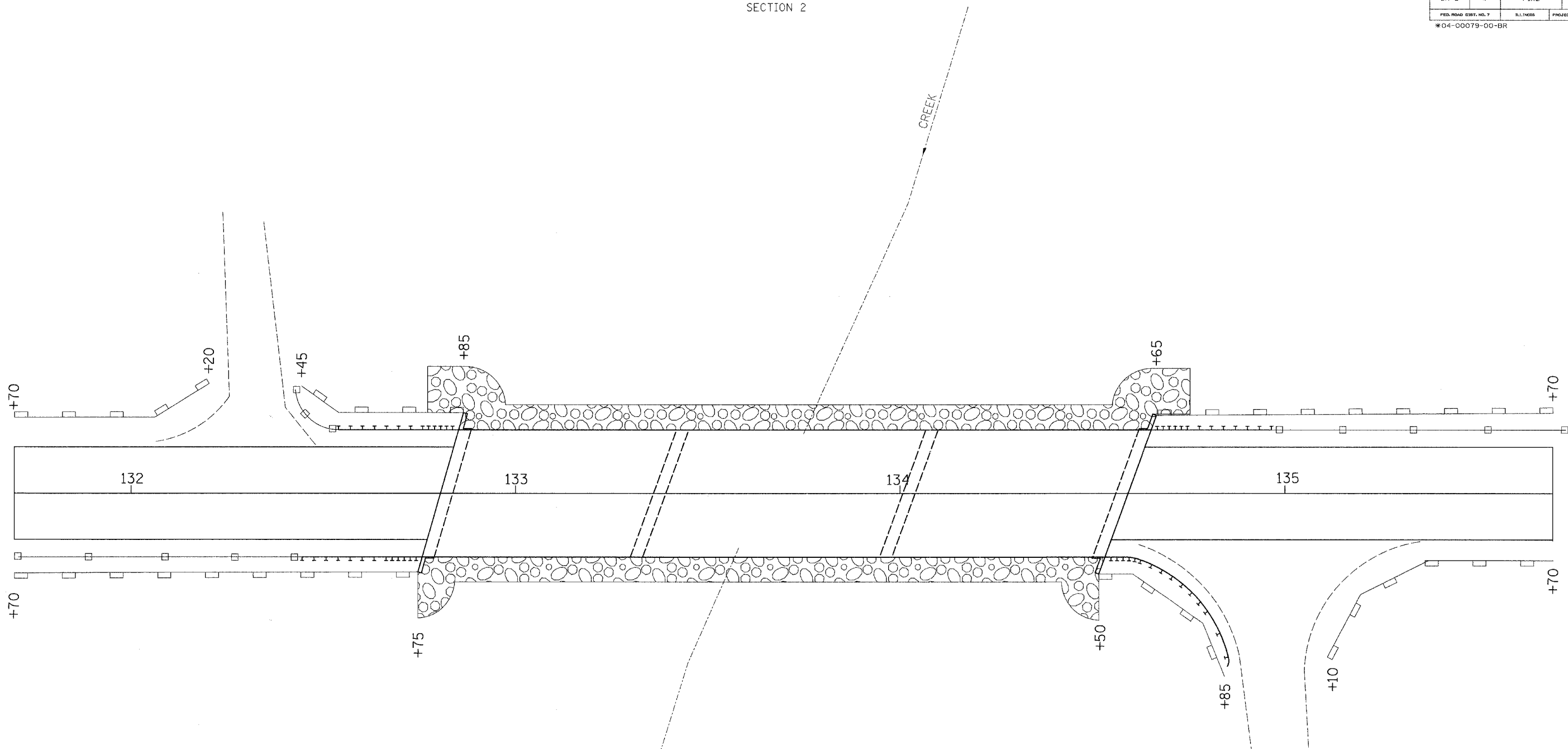


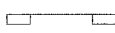

ROUTE NO.	SECTION	COUNTY	TOTAL SHEETS	SHEET NO.
CH 3	*	PIKE	17	5
FED. ROAD DIST. NO. 7		BLK. NOS.	PROJECT	BRS-601(17)
*04-00079-00-BR				

T 5 S, R 4 W, 4th PM  
SECTION 2



NOTE: TEMPORARY EROSION CONTROL SEEDING SHALL BE DONE IN ACCORDANCE WITH ARTICLE 280.04 OF THE STANDARD SPECIFICATIONS.

**LEGEND**

-  PERIMETER EROSION BARRIER
-  PROPOSED RIPRAP PLACEMENT

T 5 S, R 4 W, 4th PM  
SECTION 1

**EROSION CONTROL PLAN**  
**COUNTY HIGHWAY 3 OVER**  
**BAY CREEK**  
**SECTION 04-00079-00-BR**  
**PIKE COUNTY**  
**STATION 133+69.88**