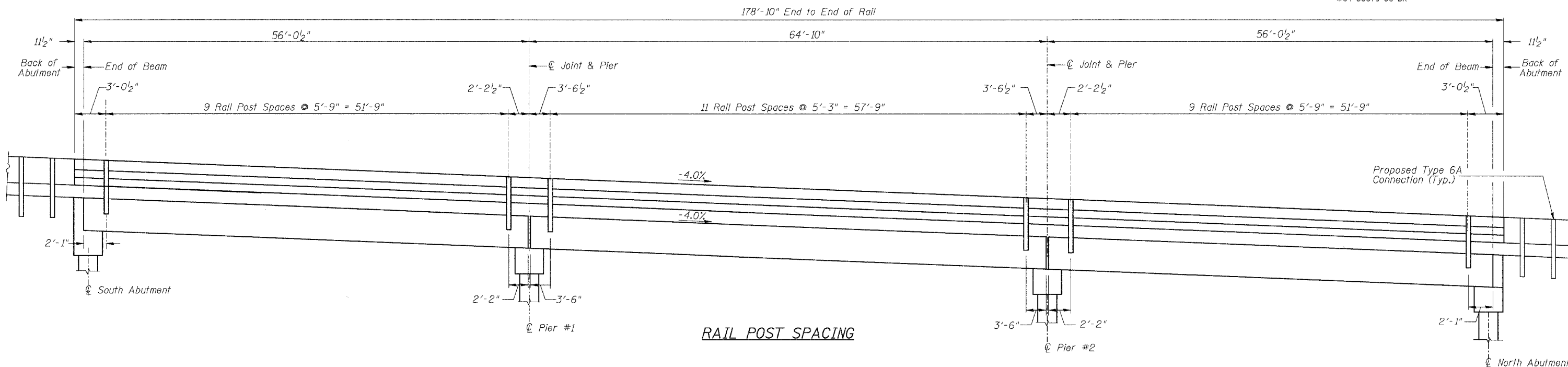
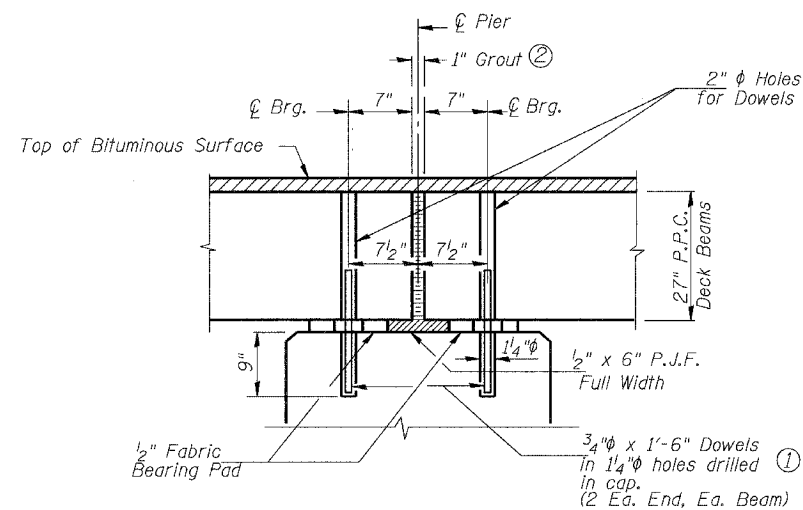


ROUTE NO.	SECTION	COUNTY	TOTAL SHEETS	SHEET NO.
CH 3	*	PIKE	17	11
FED. ROAD DIST. NO. 7		ILLINOIS	PROJECT	BRS-601(171)

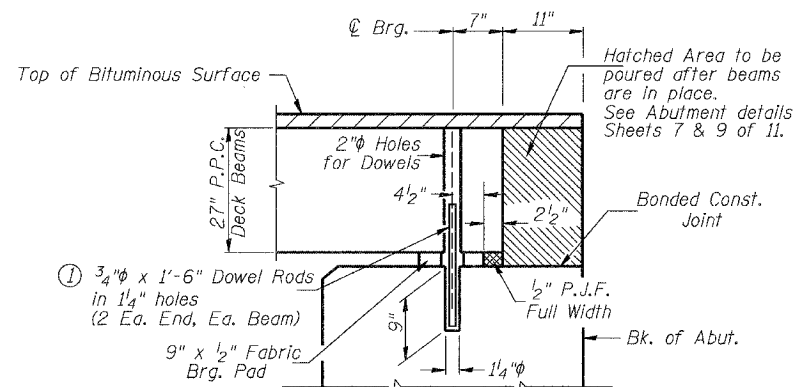
*04-00079-00-BR



RAIL POST SPACING

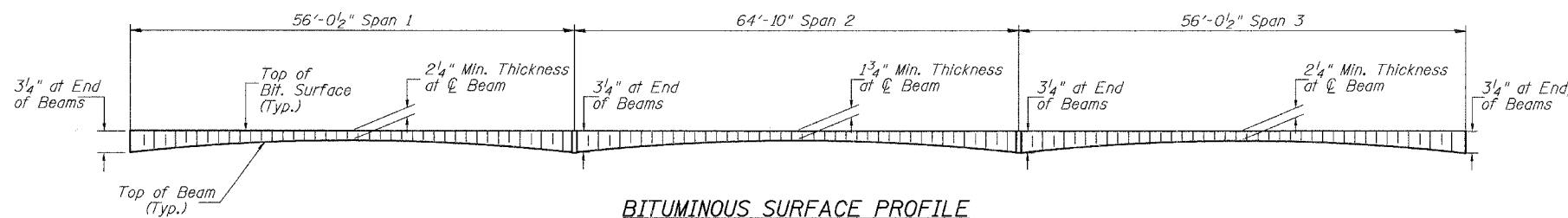


SECTION THRU PIERS
(At Right Angles)



SECTION THRU ABUTMENTS
(At Right Angles)

- ① Dowel Rods to be grouted after beams are in place and allowed to cure (Min. 24 hr.) prior to grouting the shear keys.
- ② 1" Joint shall be packed with a very dry mix of 2:1 sand and P.C. mortar. 1" Dimension may vary plus or minus to accommodate tolerance in beam lengths.



BITUMINOUS SURFACE PROFILE
Includes Waterproofing Membrane System

RAIL POST SPACING
C.H. 3 OVER BAY CREEK
SEC. 04-00079-00-BR
PIKE COUNTY
STATION 133+69.88