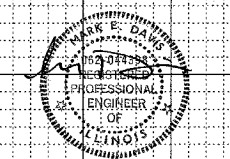
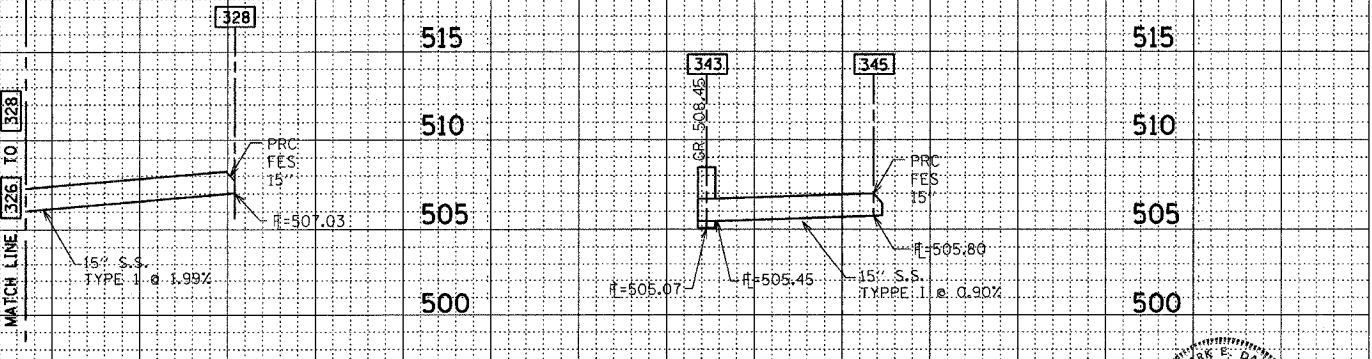
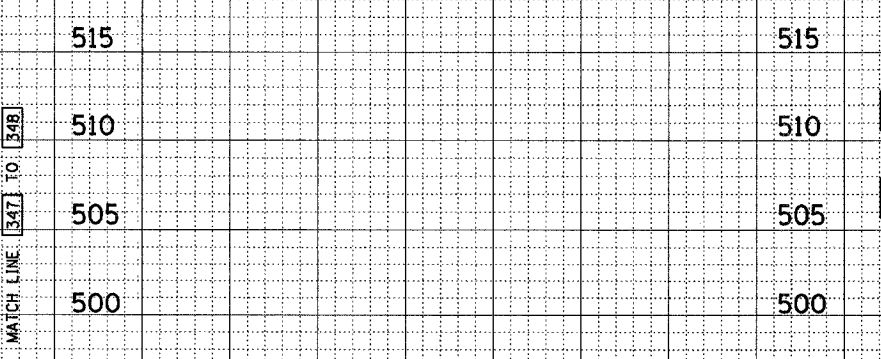
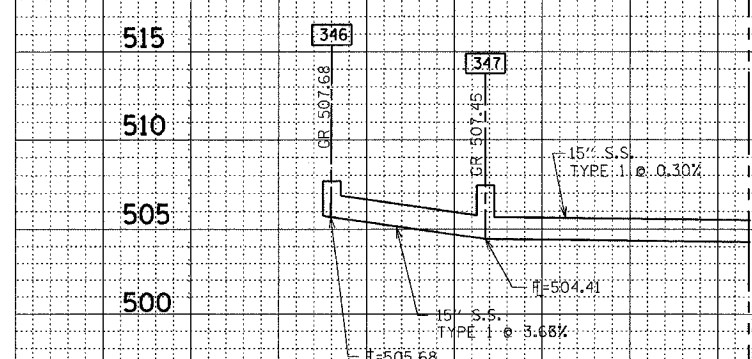
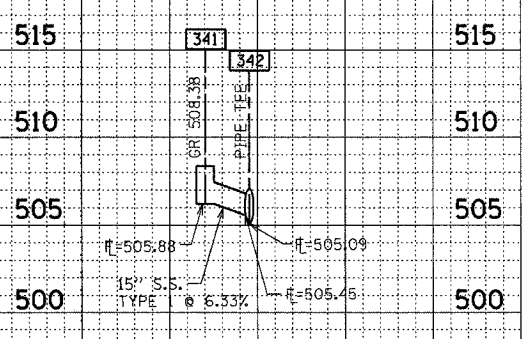
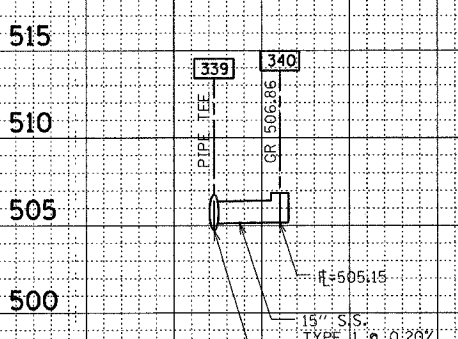
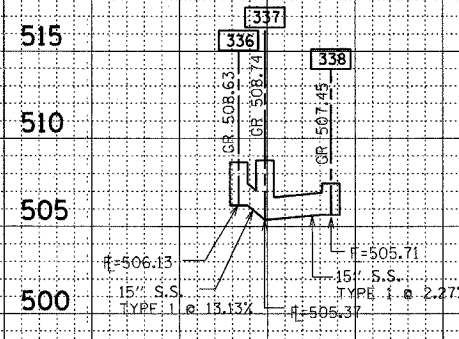
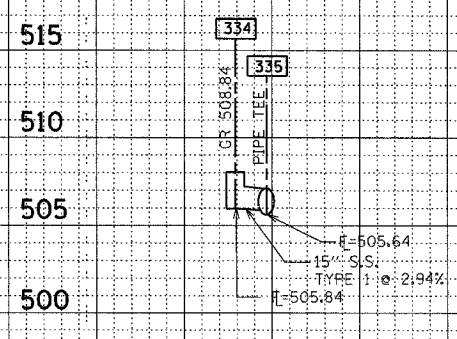
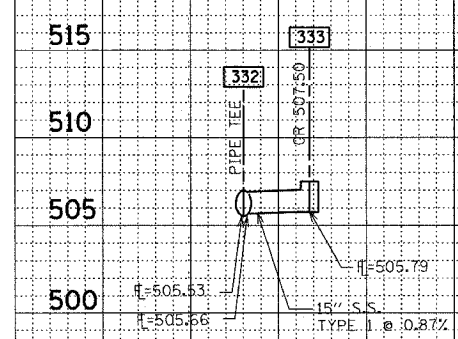
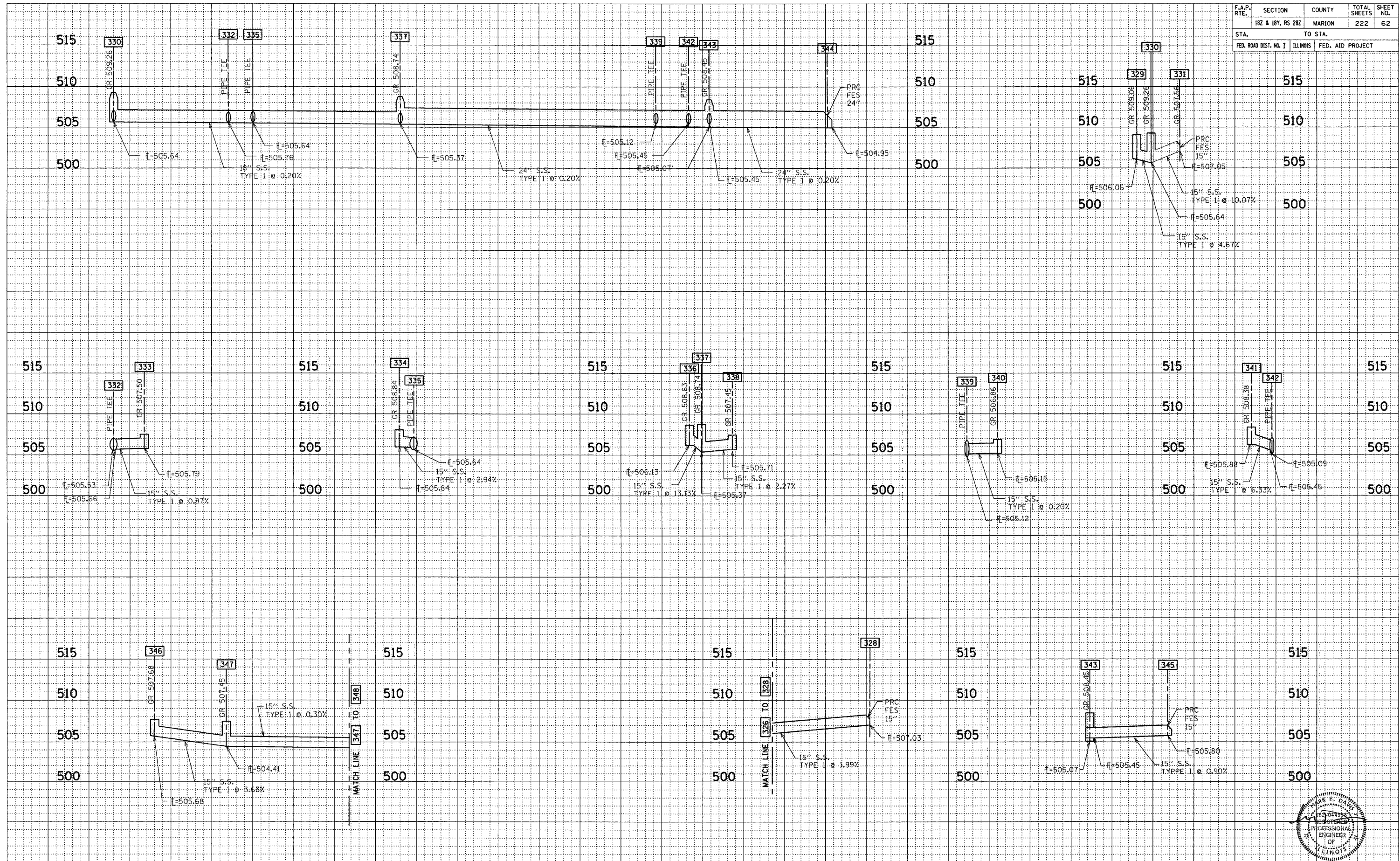


F.A.P. RTE.	SECTION	COUNTY	TOTAL SHEETS	SHEET NO.
182 & 187, RS 282	MARION	ILLINOIS	222	62
STA. TO STA.		FED. AID PROJECT		

BY \_\_\_\_\_ DATE \_\_\_\_\_  
 SURVEYED \_\_\_\_\_  
 ORIGINAL SURVEY \_\_\_\_\_  
 NOTE BOOK \_\_\_\_\_  
 TEMPLATE \_\_\_\_\_  
 AREAS CHECKED \_\_\_\_\_

BY \_\_\_\_\_ DATE \_\_\_\_\_  
 SURVEYED \_\_\_\_\_  
 ORIGINAL SURVEY \_\_\_\_\_  
 NOTE BOOK \_\_\_\_\_  
 TEMPLATE \_\_\_\_\_  
 AREAS CHECKED \_\_\_\_\_



CONTRACT NO. 94700  
 10-21-05

1: 03030a work log sheet.dwg 10/27/2005 8:27:29 AM