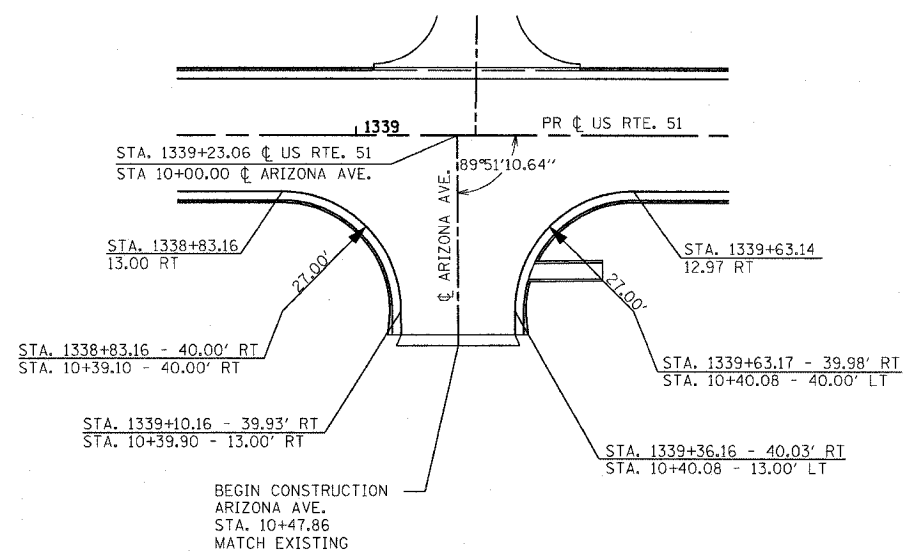


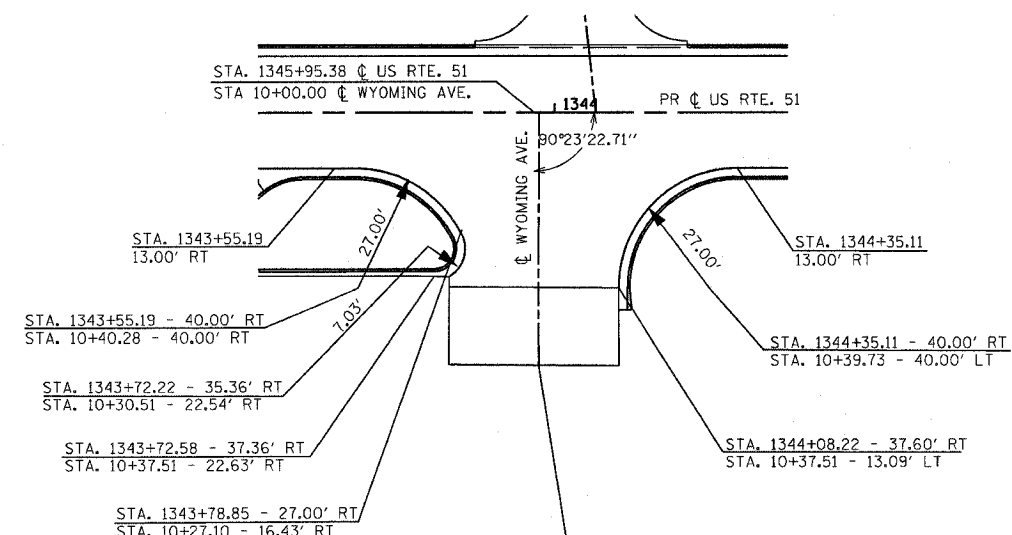
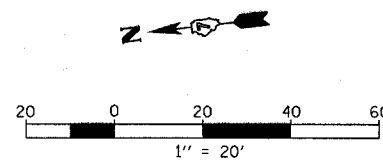
F.A.P. RTE.	SECTION	COUNTY	TOTAL SHEETS	SHEET NO.
322	18Z & 18Y, RS 28Z	MARION	222	B1
STA.		TO STA.		
DOT DIST. NO. 7		ILLINOIS FED. AID PROJECT		
CONTRACT NO. 94700				



N.W. QUADRANT			
STATIONING ALONG U.S. RTE. 51	OFFSET TO EOP FEET	EOP ELEV FEET	DISTANCE ALONG RAD. FEET
RT. 1338+83.16	13.00	506.39	
RT. 1338+92.99	14.85	506.24	10.00
RT. 1339+01.47	20.15	506.09	20.00
RT. 1339+07.44	28.18	505.94	30.00
RT. 1339+10.07	37.82	505.79	40.00
RT. 1339+10.18	45.43	505.69	47.61

S.W. QUADRANT			
STATIONING ALONG U.S. RTE. 51	OFFSET TO EOP FEET	EOP ELEV FEET	DISTANCE ALONG RAD. FEET
RT. 1339+63.14	12.97	506.15	
RT. 1339+53.32	14.83	506.05	10.00
RT. 1339+44.84	20.14	505.95	20.00
RT. 1339+38.88	28.17	505.85	30.00
RT. 1339+36.25	37.81	505.75	40.00
RT. 1339+36.18	45.36	505.69	47.55

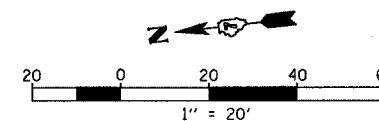
U.S. ROUTE 51 / ARIZONA AVE.



N.W. QUADRANT			
STATIONING ALONG U.S. RTE. 51	OFFSET TO EOP FEET	EOP ELEV FEET	DISTANCE ALONG RAD. FEET
RT. 1343+55.11	13.00	503.97	
RT. 1343+64.94	14.85	503.93	10.00
RT. 1343+73.42	20.15	503.89	20.00
RT. 1343+79.30	28.24	503.86	30.00
RT. 1343+74.62	37.07	503.82	40.00
RT. 1343+72.50	37.36	503.81	42.14

S.W. QUADRANT			
STATIONING ALONG U.S. RTE. 51	OFFSET TO EOP FEET	EOP ELEV FEET	DISTANCE ALONG RAD. FEET
RT. 1344+35.11	12.99	503.54	
RT. 1344+25.29	14.85	503.60	10.00
RT. 1344+16.81	20.15	503.66	20.00
RT. 1344+10.84	28.18	503.72	30.00
RT. 1344+08.22	37.82	503.78	40.00
RT. 1344+08.19	42.60	503.81	44.77

U.S. ROUTE 51 / WYOMING AVE.



REVISIONS		ILLINOIS DEPARTMENT OF TRANSPORTATION
NAME	DATE	
		INTERSECTION WARPING/ GEOMETRIC LAYOUT U.S. ROUTE 51
SCALE: VERT. 1" = 20' HORIZ. 1" = 20'		DRAWN BY MEC
DATE 6/27/03		CHECKED BY MJM