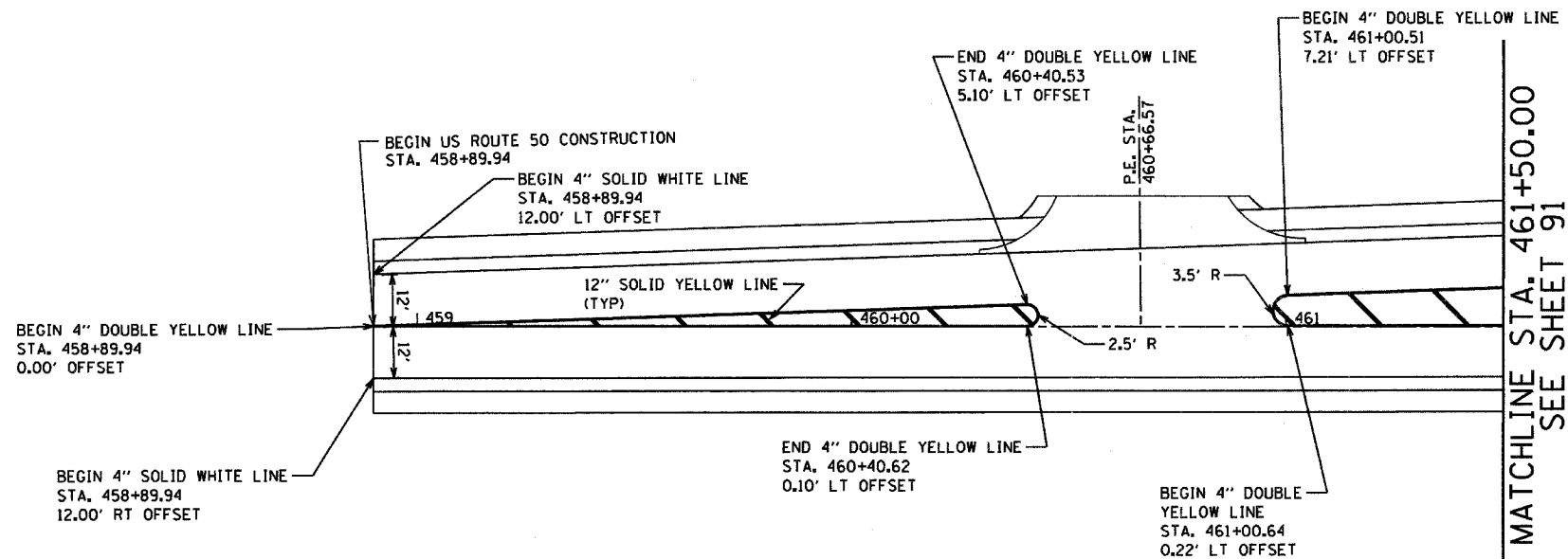
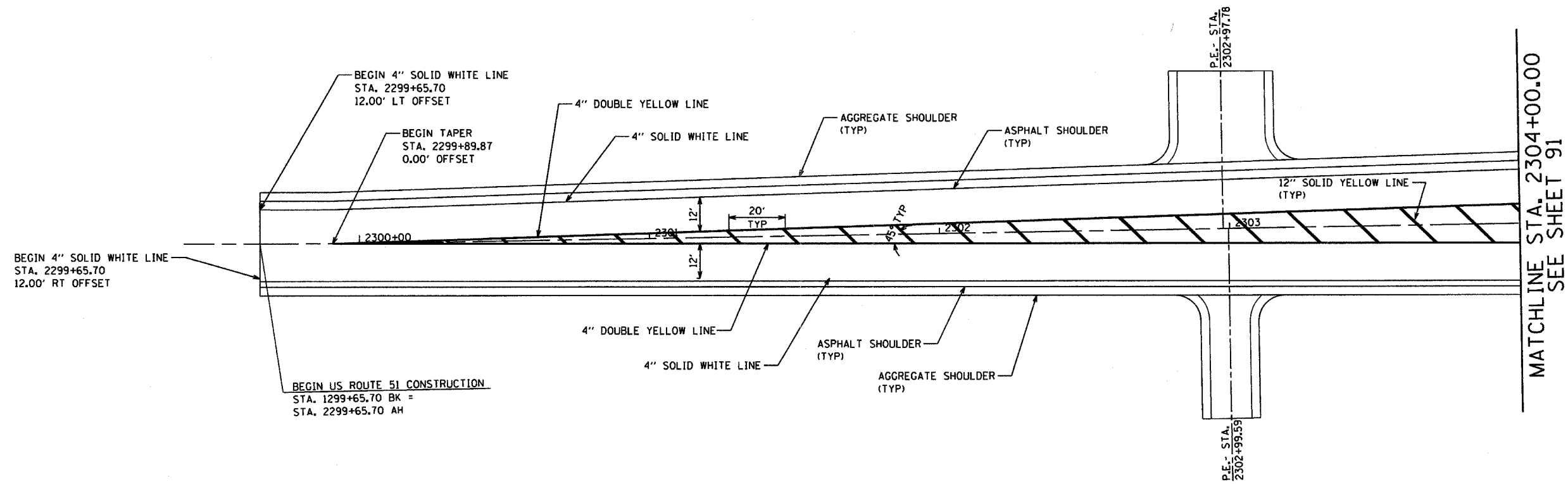
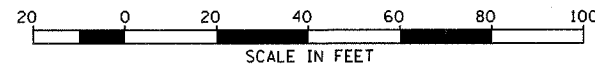


F.A.P. RTE.	SECTION	COUNTY	TOTAL SHEETS	SHEET NO.
322	18Z & 18Y, RS 28Z	MARION	221	90
STA. 2299+90.77 TO STA. 2309+00.00				
1001 DIST. NO. 7			ILLINOIS FED. AID PROJECT	
CONTRACT NO. 94700				



SEE STD. 780001 FOR ADDITIONAL INFORMATION



REVISIONS	
NAME	DATE

ILLINOIS DEPARTMENT OF TRANSPORTATION

**PERMANENT PAVEMENT MARKING**

SCALE: AS NOTED  
DATE: 10/20/2005

DRAWN BY: MMH  
CHECKED BY: AEF

