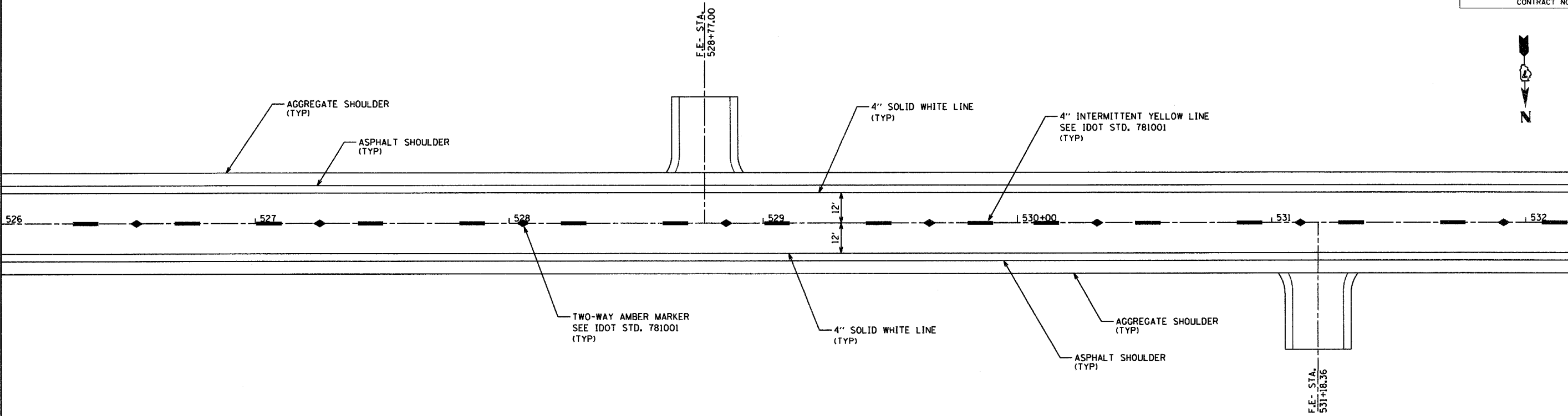


F.A.P. RTE.	SECTION	COUNTY	TOTAL SHEETS	SHEET NO.
327	182 & 18Y, RS 28Z	MARION	221	102
STA. 523+00.00		TO STA. 535+00.00		
DOT DIST. NO. 7		ILLINOIS FED. AID PROJECT		
CONTRACT NO. 94700				

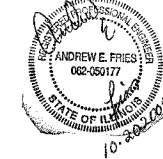
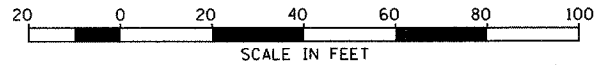
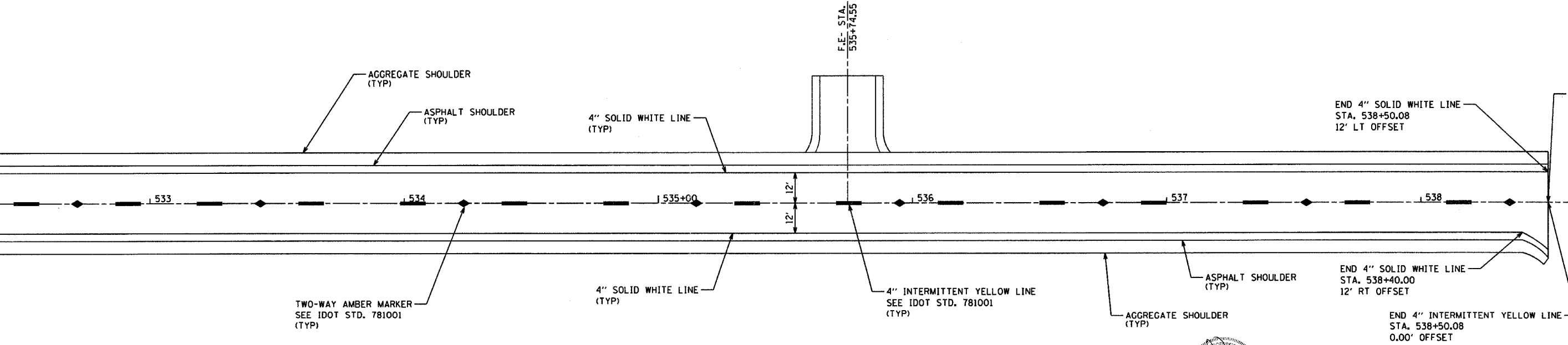
MATCHLINE STA. 526+00.00 SEE SHEET 101

MATCHLINE STA. 532+40.00



SEE STD. 780001 FOR ADDITIONAL INFORMATION

MATCHLINE STA. 532+40.00



REVISIONS	
NAME	DATE

ILLINOIS DEPARTMENT OF TRANSPORTATION

PERMANENT PAVEMENT MARKING

SCALE: AS NOTED
DATE 10/20/2005

DRAWN BY ELA
CHECKED BY AEF