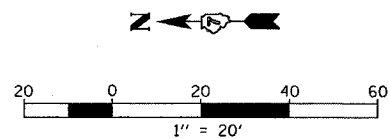
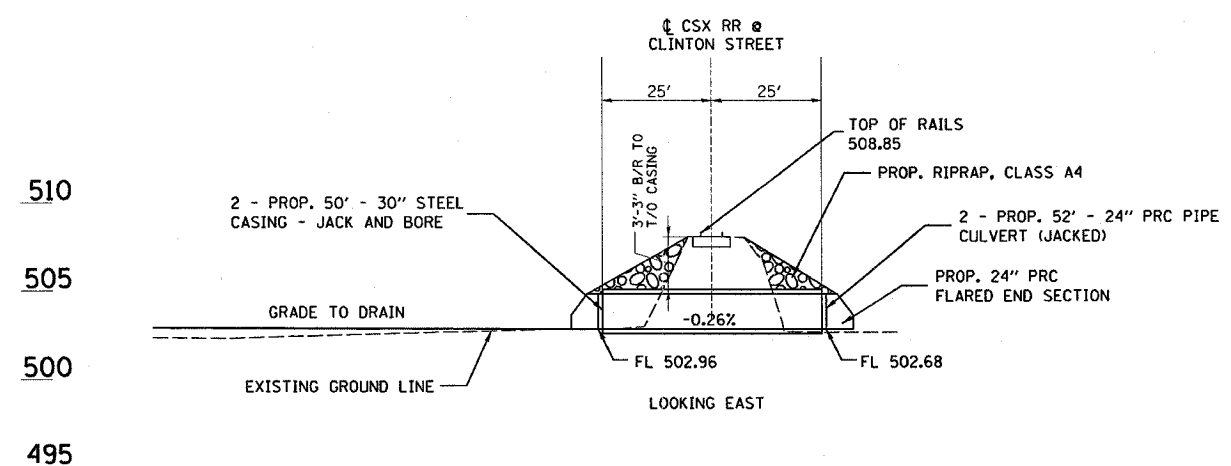
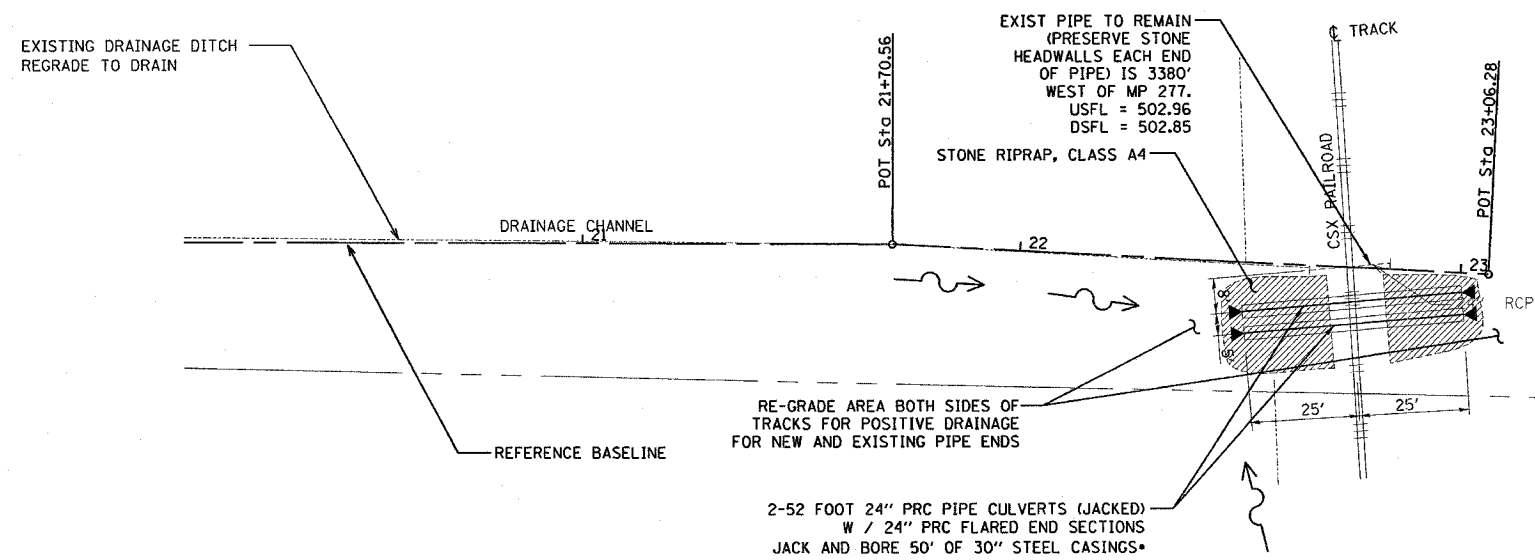


F.A.P. RTE.	SECTION	COUNTY	TOTAL SHEETS	SHEET NO.
	18Z & 18Y, RS 28Z	MARION	222	106A
STA.		TO STA.		
DOT DIST. NO. 7		ILLINOIS FED. AID PROJECT		
CONTRACT NO. 94700				



• SEAL BOTH ENDS OF CASINGS WATER TIGHT. CASING PIPE TO HAVE MINIMUM YIELD STRENGTH OF 35,000 PSI. WALL THICKNESS TO BE A MINIMUM OF .375" FOR COATED PIPE AND .438" FOR UNPROTECTED PIPE.



REVISIONS	
NAME	DATE

ILLINOIS DEPARTMENT OF TRANSPORTATION  
**CLINTON STREET  
 CULVERT CROSSING  
 DETAILS**  
 SCALE: VERT. \_\_\_\_\_  
 HORIZ. \_\_\_\_\_  
 DATE \_\_\_\_\_  
 DRAWN BY \_\_\_\_\_  
 CHECKED BY \_\_\_\_\_

DATED 1/18/06