

F.A.E. RTE.	SECTION	COUNTY	TOTAL SHEETS	SHEET NO.
327	182 & 181, RS 282	MARION	222	108
STA.	TO STA.			
DOT DIST. NO. 7	ILLINOIS	FED. AID PROJECT		
CONTRACT NO. 94700				

7 1/2" FOR DD BARS
9" FOR E BARS MINUS LENGTHS IN TABLE

BILL OF MATERIAL

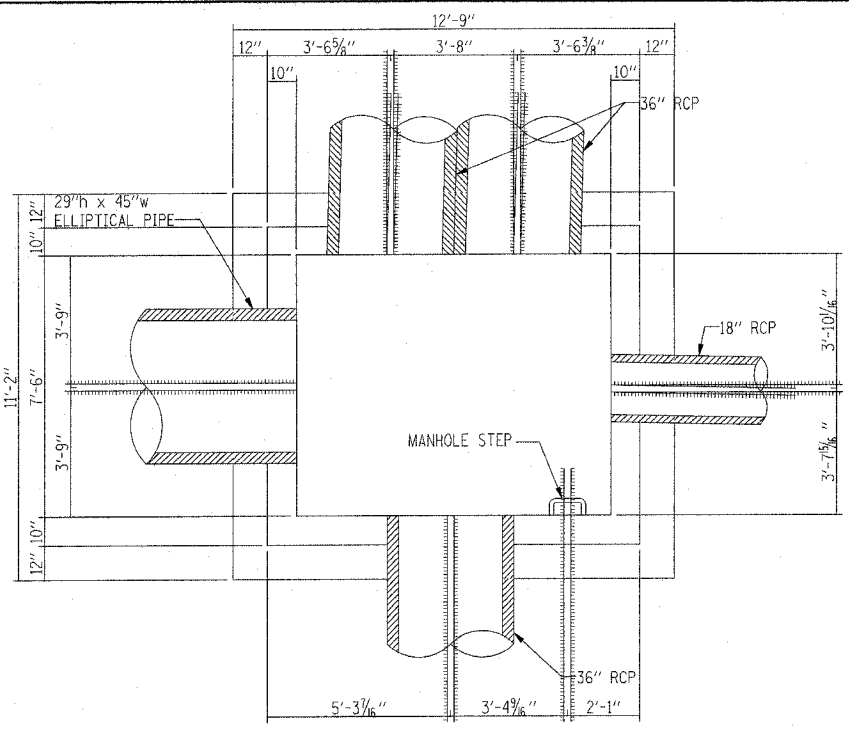
Bar	No.	Size	Length	Shape
E 1	8	#6	11'-9 1/2"	
E 2	15	#6	10'-5"	
E 3	12	#6	10'-3"	
E 4	22	#6	8'-9"	
C 1	48	#5	0'-7"	
F 1	22	#5	12'-5"	
F 2	26	#5	10'-10"	
D 3	4	#5	8'-9"	
D 4	4	#5	2'-2"	
D 5	4	#5	1'-5 1/2"	
D 6	4	#5	1'-6 3/4"	
D 7	4	#5	2'-4 1/2"	
D 8	2	#5	1'-2"	
D 9	2	#5	1'-7 1/4"	
D 10	2	#5	3'-11"	
D 11	2	#5	3'-2 3/4"	
D 12	2	#5	3'-3 3/4"	
D 13	2	#5	4'-1 1/2"	
D 2	2	#5	8'-11"	
D 15	4	#5	2'-3"	
D 16	4	#5	2'-2 1/2"	
D 17	4	#5	3'-2 1/2"	
D 18	2	#5	4'-1"	
D 19	2	#5	3'-3 1/2"	
D 20	2	#5	3'-10 1/2"	
D 14	4	#5	3'-8 1/2"	
D 21	2	#5	4'-3"	
D 22	2	#5	3'-5 1/2"	
D 23	2	#5	4'-0 1/2"	
D 24	2	#5	4'-1"	
D 25	2	#5	3'-5"	
D 26	2	#5	3'-6"	
D 27	2	#5	4'-3 3/4"	
DD 1	52	#5	5'-6 1/2"	
DD 2	6	#5	1'-3 1/4"	
DD 3	12	#5	0'-7"	
DD 4	6	#5	1'-1"	
DD 5	6	#5	1'-9 1/2"	
DD 6	6	#5	1'-7 1/2"	
DD 7	4	#5	1'-6"	
DD 8	4	#5	1'-2"	
DD 9	4	#5	1'-8 1/2"	
DD 10	4	#5	2'-3"	
• Reinforcement Bars			Pound	2075
• Class SI Concrete			Cu. Yd.	10.6

* FOR INFORMATION ONLY - NOT A PAY ITEM

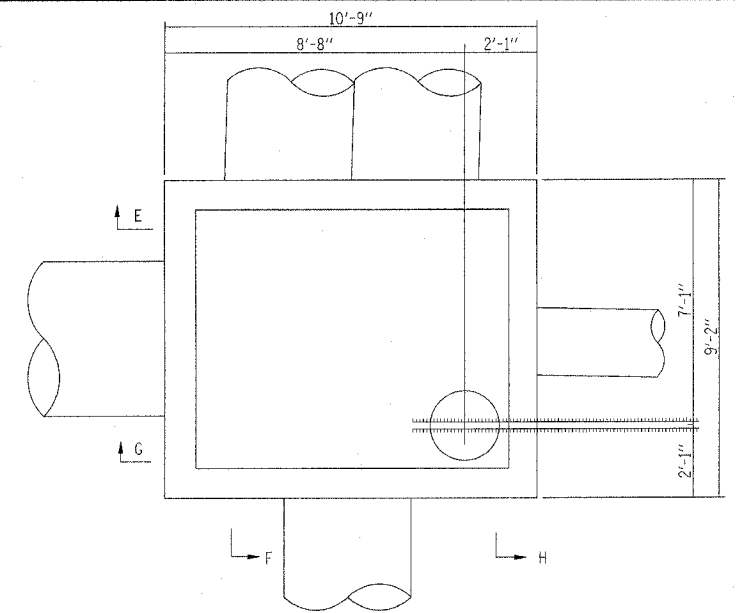
REVISIONS	
NAME	DATE

ILLINOIS DEPARTMENT OF TRANSPORTATION
SPECIAL MANHOLE
DETAILS
STRUCTURE NO. 319
SCALE: VERT. HORIZ.
DATE
DRAWN BY
CHECKED BY

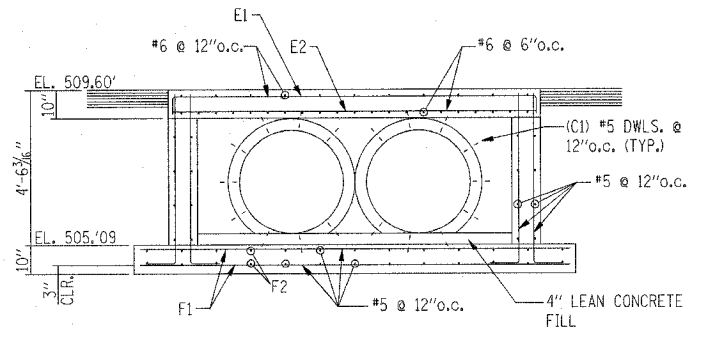
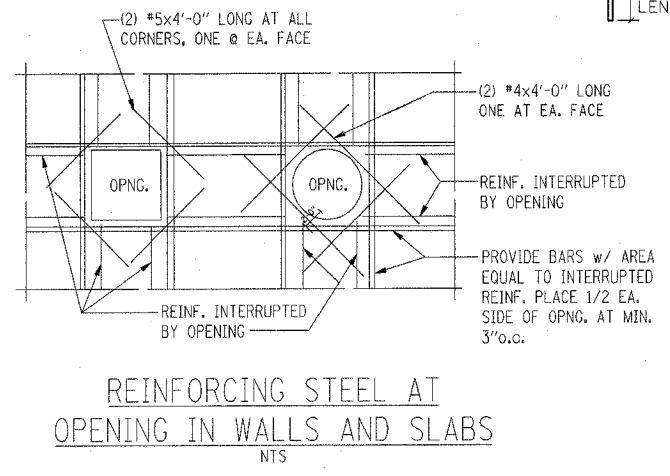
REVISED 12/20/05



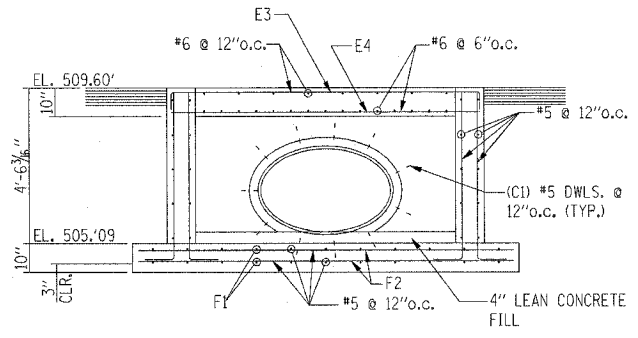
PLAN @ BOTTOM SLAB
SCALE: 3/8" = 1'-0"
NOTE: ALL REINFORCING TO BE EPOXY COATED.



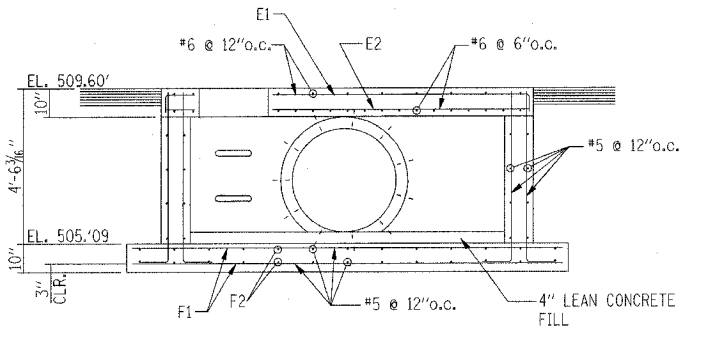
PLAN @ TOP SLAB
SCALE: 3/8" = 1'-0"
NOTE: ALL REINFORCING TO BE EPOXY COATED.



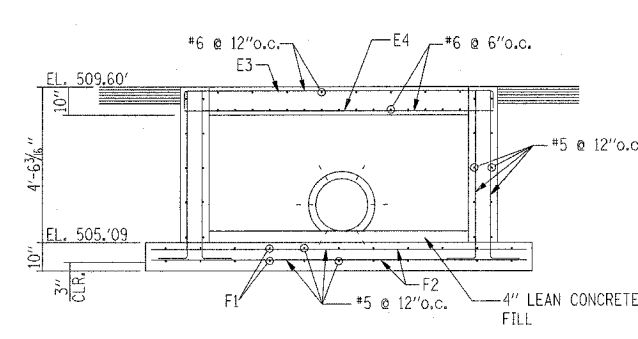
SECTION E



SECTION F



SECTION G



SECTION H

