

F.A.P. RTE.	SECTION	COUNTY	TOTAL SHEETS	SHEET NO.
322	187 & 189, RS & 287	MARION	222	130
STA. 1333+00.00		TO STA. 1345+00.00		
FED. ROAD DIST. NO. 7		ILLINOIS FED. AID PROJECT		
CONTRACT NO. 94700				

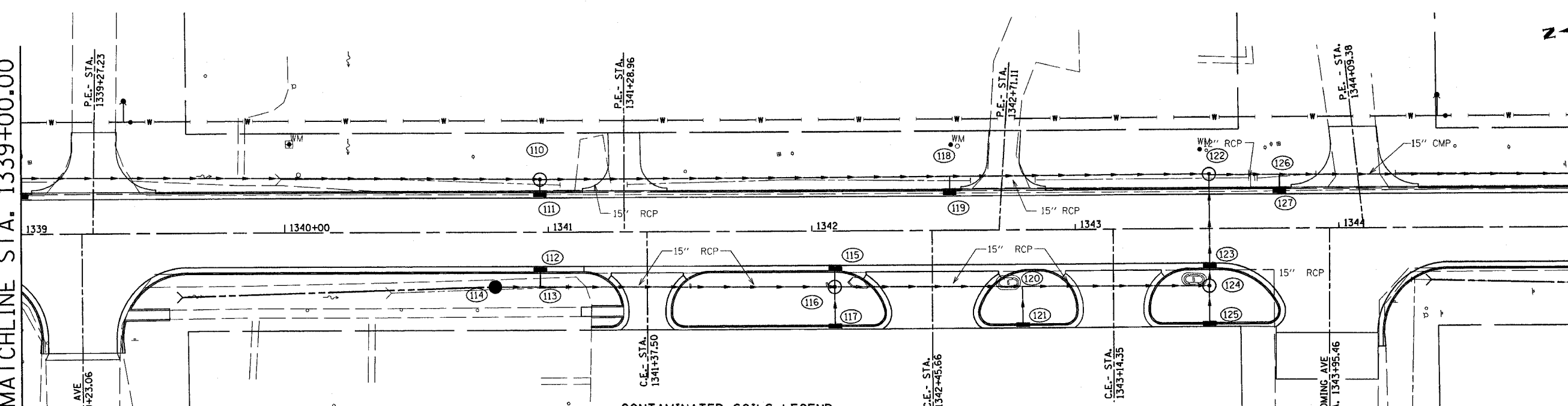
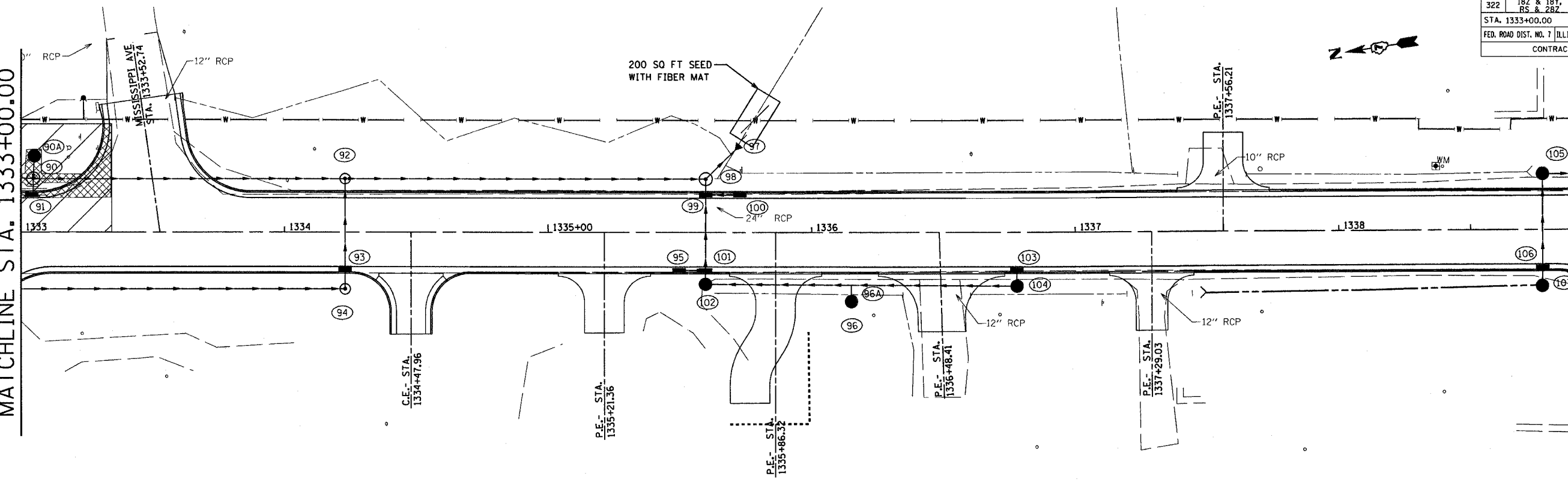
PLAN	DATE
SURVEYED	BY
NOTE BOOK	NO.
ALIGNMENT CHECKED	
PROP. FILE NAME	

MATCHLINE STA. 1333+00.00




MATCHLINE STA. 1339+00.00

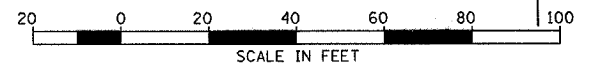
MATCHLINE STA. 1339+00.00

MATCHLINE STA. 1345+00.00



CONTAMINATED SOILS LEGEND

-  AREA OF POTENTIAL CONTAMINATED SOILS
-  EXCAVATION AREA ESTIMATED TO EXCEED TACO TIER I CRITERIA FOR BENZENE AND/OR SPLP/TCLP LEAD.
-  EXCAVATION AREA ESTIMATED TO EXCEED TACO TIER I CRITERIA FOR LEAD AND/OR SPLP/TCLP LEAD.



REVISIONS	
NAME	DATE

ILLINOIS DEPARTMENT OF TRANSPORTATION

POTENTIAL SOIL CONTAMINATION LOCATIONS

SCALE: VERT. N/A
 HORIZ. 1" = 20'
 DATE 06-27-03

DRAWN BY ELA
 CHECKED BY AEF

DATE DATE-TIME
 ADD-SPEC
 REF-
 REF-