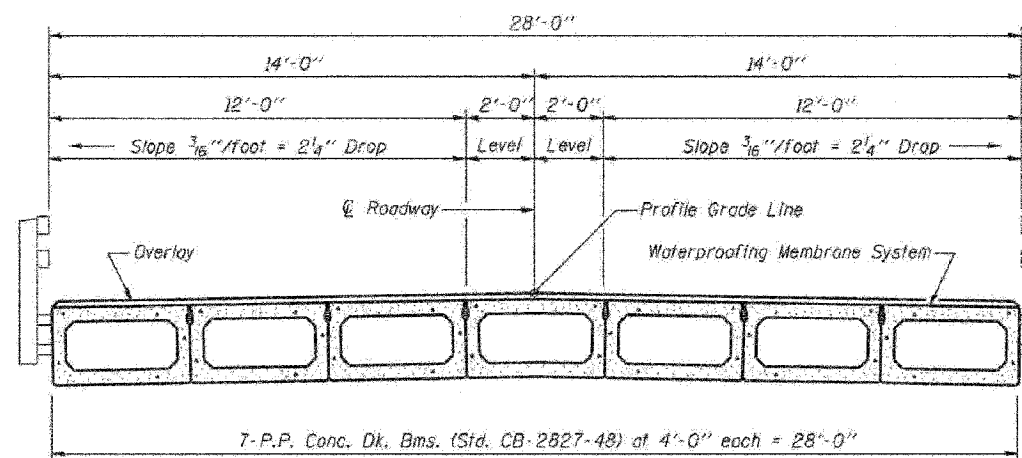
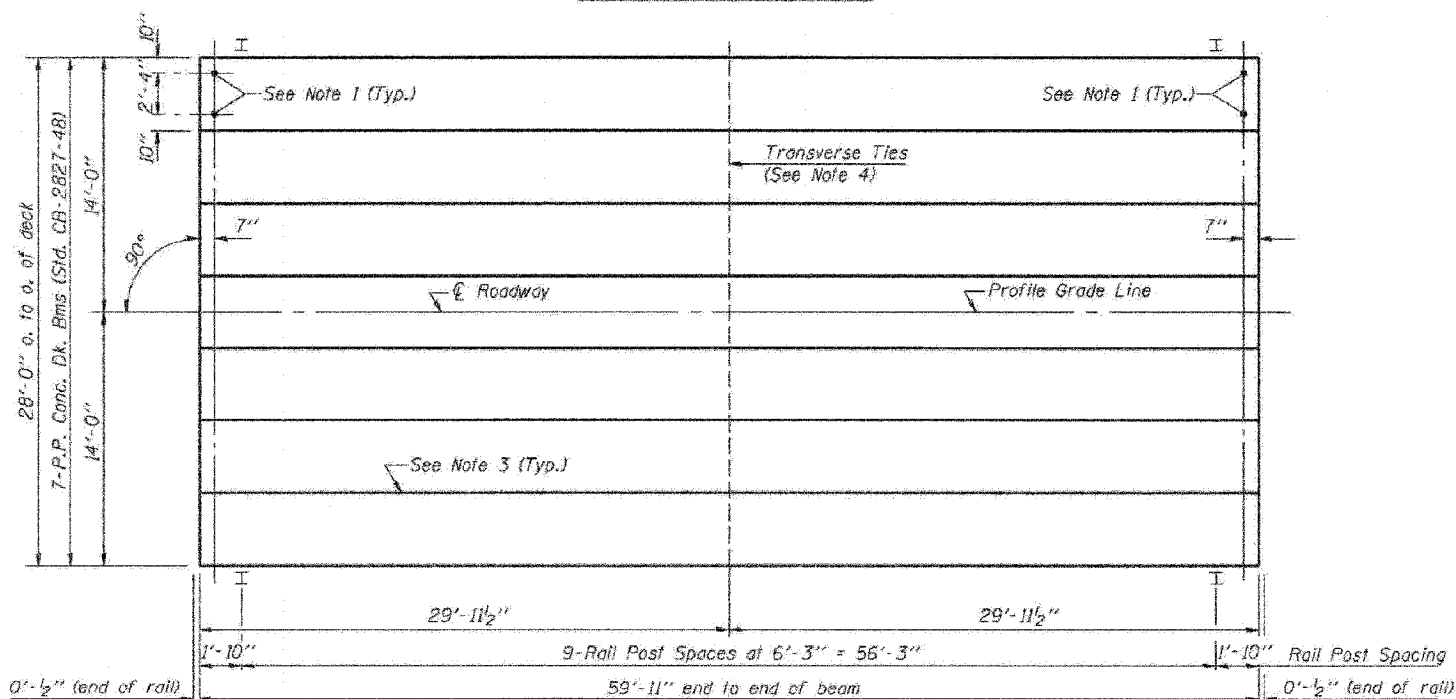


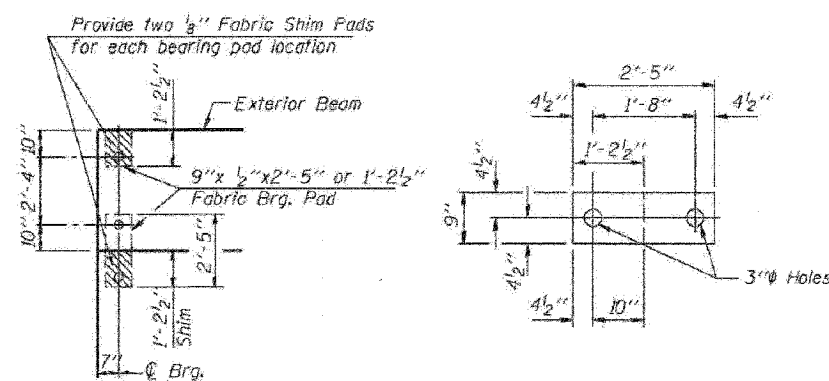
TYPICAL ELEVATIONS



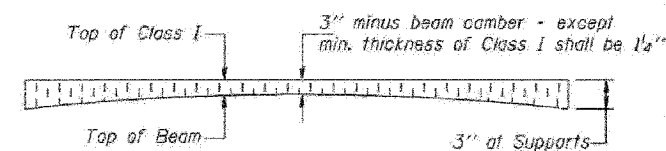
CROSS SECTION



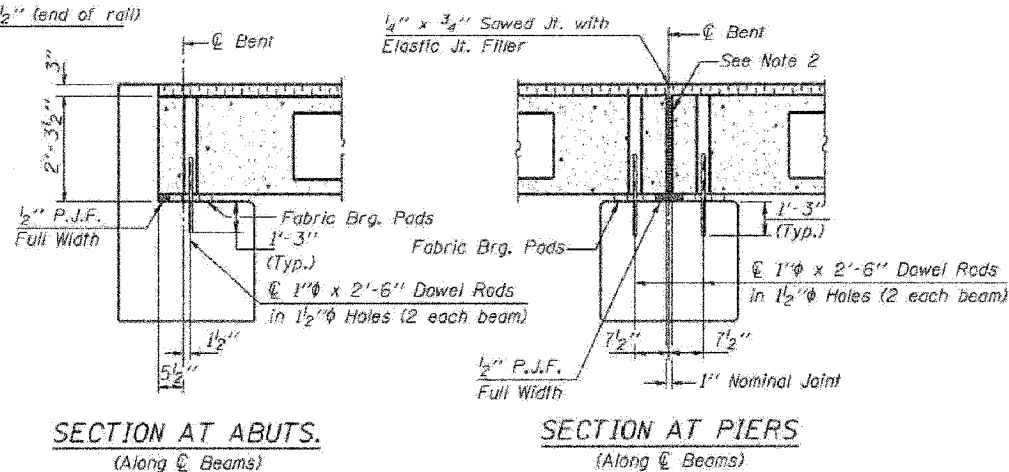
PLAN



1/2" FABRIC BRG. PAD DETAILS



PROFILE OF OVERLAY



SECTION AT ABUTS.  
 (Along Q Beams)

SECTION AT PIERS  
 (Along Q Beams)

NOTES

1. After beams have been erected, holes shall be drilled into substructure and anchor dowels placed. Dowel holes shall be filled with non-shrink grout to top of beam and allowed to cure min. 24 hrs. prior to grouting the shear keys.
2. Nominal 1" joint at Q Pier shall be filled with non-shrink grout.
3. Longitudinal keys shall be grouted.
4. The 1"  $\phi$  rods in the transverse tie assembly shall be tightened to a snug fit and the threads set. Pockets that receive transverse tie bar outside shall be filled with grout after transverse tie assembly is in place.

QUANTITIES FOR ONE SPAN

P.P. Conc. Dk. Bm. 27" Dp.	1680 Sq. Ft.
Steel Railing	120 Ft.
Waterproofing Membrane System	186.7 Sq. Yds.
ParHand Cement Mortar Fairing Course	360 Ft.

Note: Quantity of overlay for one span = 21.9 Tons

P.P.C. DECK BEAM SUPERSTRUCTURE			
28" RDWY.	27" BMS.	60' SPAN	0° SKEW
STANDARD CS-2827-60			

Illinois Department of Transportation  
 PASSED APRIL 4, 2005  
 Thomas J. [Signature]  
 Engineer of Bridge Design  
 APPROVED APRIL 4, 2005  
 Ralph E. [Signature]  
 Engineer of Bridges and Structures