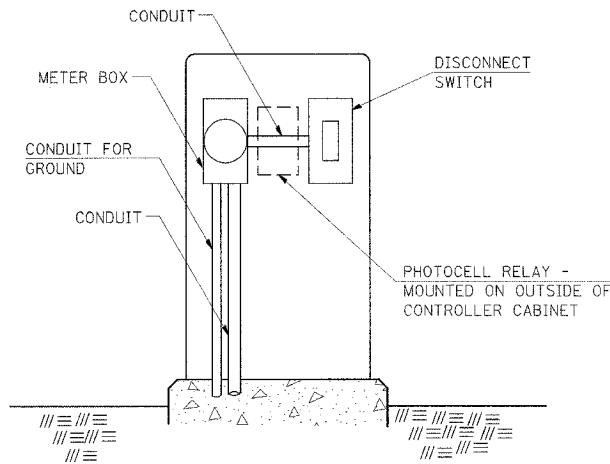
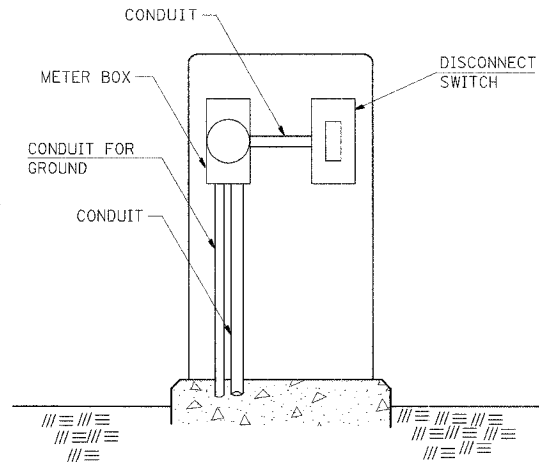


F.A.P. RTE.	SECTION	COUNTY	TOTAL SHEETS	SHEET NO.
331	*	JACKSON	258	73
STA.		TO STA.		
FED. ROAD DIST. NO. -		ILLINOIS	FED. AID PROJECT	
*(12-1)2N,I-5,TS-3,B-1				

SERVICE INSTALLATION DETAILS



SERVICE INSTALLATION (SPECIAL)
WITH PHOTOCELL RELAY

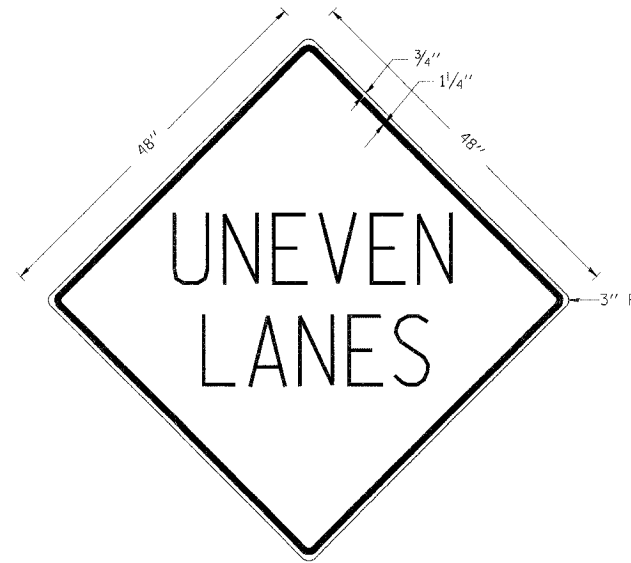


SERVICE INSTALLATION (SPECIAL)

NOTE:
MATERIAL AND SIZE OF CONDUIT
AND CABLE AS REQUIRED BY
UTILITY COMPANY

REVISIONS	
DRAWN	1-31-90
REVISOR	2-24-92
REVISOR	
REVISOR	
STD.	9-68

UNEVEN LANES SIGN
WB-11 (48" x 48")



COLORS:
LEGEND AND BORDER - BLACK NON-REFLECTORIZED
BACKGROUND - ORANGE REFLECTORIZED

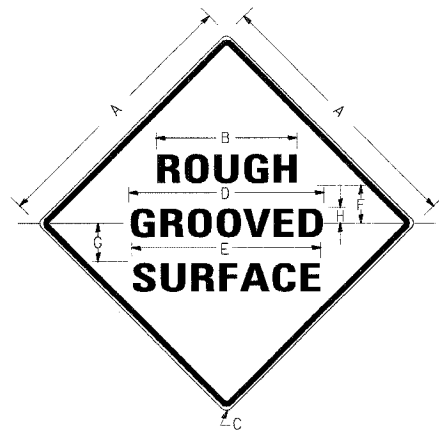
NOTE: PRIOR TO ALLOWING TRAFFIC ON ANY PORTION OF THE ROADWAY THAT HAS BEEN COLDMILLED OR BEFORE RESURFACING OPERATIONS BEGIN, THE CONTRACTOR SHALL HAVE ERECTED "UNEVEN PAVEMENT" SIGNS THAT CONFORM TO THE ABOVE DETAILS. A MINIMUM OF ONE SIGN AT EACH END OF THE IMPROVEMENT WILL BE REQUIRED. THE CONTRACTOR SHALL MAINTAIN THE "UNEVEN PAVEMENT" SIGNS UNTIL THE RESURFACING OPERATIONS ARE COMPLETED.

IF AT ANY TIME THE SIGNS ARE IN PLACE BUT NOT APPLICABLE, THEY SHALL BE TURNED FROM THE VIEW OF MOTORISTS OR COVERED AS DIRECTED BY THE ENGINEER.

THE COST OF FURNISHING, ERECTING, MAINTAINING, AND REMOVING THE REQUIRED SIGNS SHALL BE INCLUDED IN THE CONTRACT.

REVISIONS	
DRAWN	2-15-89
REVISOR	4-6-93
REVISOR	7-23-04
STD.	9-41

ILLINOIS STANDARD
WB-1106



COLORS:
LEGEND AND BORDER- BLACK NON-REFLECTORIZED
BACKGROUND- ORANGE REFLECTORIZED

SIGN SIZE	DIMENSIONS							
	A	B	C	D	E	F	G	H
48X48	48.0	24.1	3.0	34.0	33.0	6.0	13.0	3.5

SIGN SIZE	SERIES LINES			MAR- GIN	BOR- DER	BLANK STD.
	1	2	3			
48X48	7C	7C	7C	0.8	1.2	B4-48D

ALL DIMENSIONS IN INCHES

NOTES:
PRIOR TO ALLOWING TRAFFIC ON ANY PORTION OF THE ROADWAY THAT HAS BEEN COLDMILLED, THE CONTRACTOR SHALL HAVE ERECTED "ROUGH GROOVED SURFACE" SIGNS THAT CONFORM TO THE ABOVE DETAILS. A MINIMUM OF ONE SIGN AT EACH END OF THE IMPROVEMENT WILL BE REQUIRED. THE CONTRACTOR SHALL MAINTAIN THE "ROUGH GROOVED SURFACE" SIGNS UNTIL THE COLDMILLED SURFACE IS COVERED WITH LEVELING BINDER OR SURFACE COURSE.

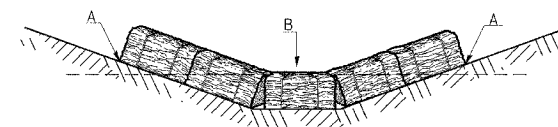
IF AT ANY TIME THE SIGNS ARE IN PLACE BUT NOT APPLICABLE, THEY SHALL BE TURNED FROM THE VIEW OF MOTORISTS OR COVERED AS DIRECTED BY THE ENGINEER.

THE COST OF FURNISHING, ERECTING, MAINTAINING, AND REMOVING THE REQUIRED SIGNS SHALL BE INCLUDED IN THE CONTRACT.

REVISIONS	
REDRAWN	2-15-89
REVISOR	4-6-93
REVISOR	
REVISOR	
STD.	9-39

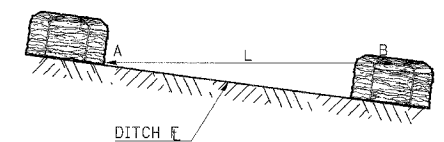
TEMPORARY DITCH CHECKS

PLACEMENT OF TEMPORARY STRAW BALE DITCH CHECK IN DRAINAGEWAY



POINTS A SHOULD BE HIGHER THAN POINT B

SPACING BETWEEN TEMPORARY DITCH CHECKS



L = THE DISTANCE SUCH THAT POINTS A AND B ARE OF EQUAL ELEVATION
B = THE LOW POINT IN CENTER OF CHECK

REVISIONS	
DRAWN	9-01-99
REVISOR	10-3-01
REVISOR	
REVISOR	
STD.	9-108

**DETAILS: SERVICE INSTALLATION, UNEVEN LANES
ROUGH GROOVED SURFACE, TEMPORARY DITCH CHECKS**