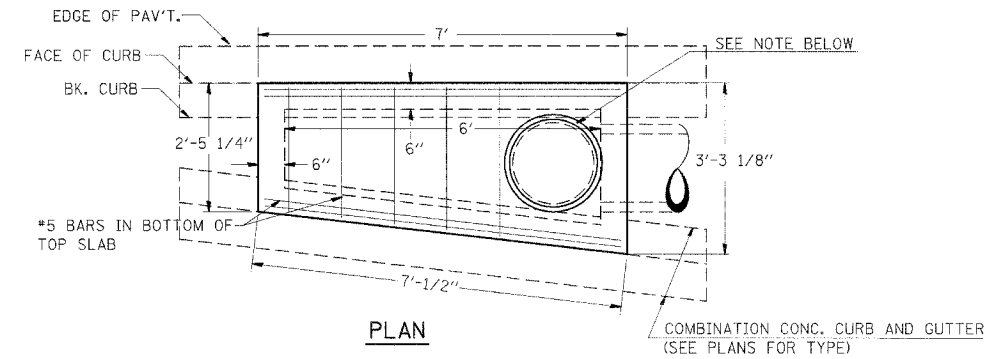


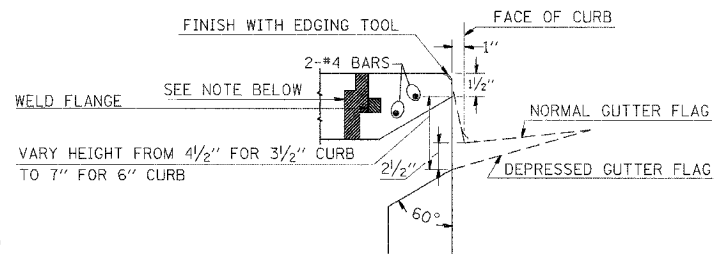
F.A.P. RITE	SECTION	COUNTY	TOTAL SHEETS	SHEET NO
331	*	JACKSON	258	85
STA. TO STA.		FED. ROAD DIST. NO. - ILLINOIS FED. AID PROJECT		
(12-1)2N,1-5,TS-3,B-1				

DETAILS OF INLET SPECIAL, NO 1

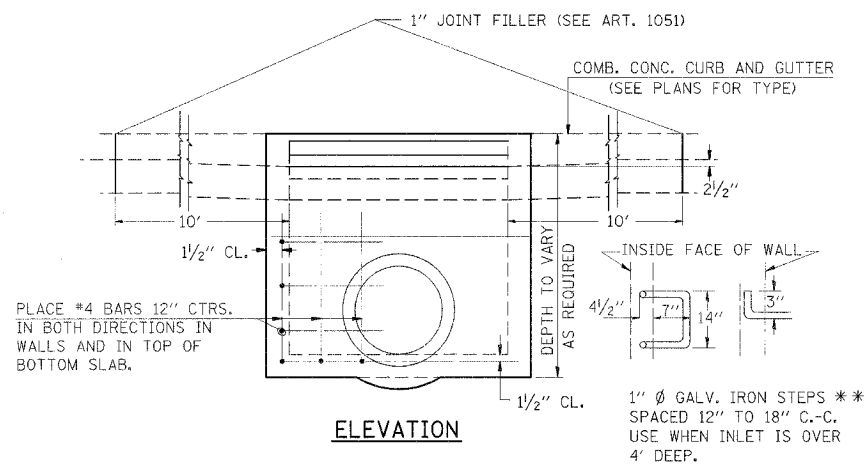


PLAN

COMBINATION CONC. CURB AND GUTTER (SEE PLANS FOR TYPE)



DETAIL AT WEIR



ELEVATION

1" Ø GALV. IRON STEPS ** SPACED 12" TO 18" C.-C. USE WHEN INLET IS OVER 4' DEEP.

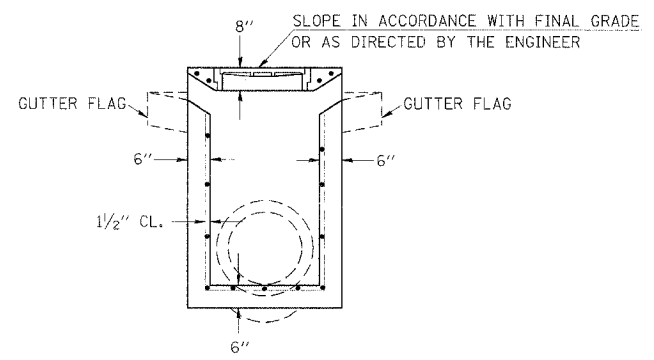
NOTES:

CLASS SI CONCRETE SHALL BE USED THROUGHOUT. SET FACE OF INLET 1" BEHIND FACE OF CURB. DEPRESS GUTTER FLOWLINE AT INLET 2 1/2" BELOW NORMAL GUTTER FLOWLINE. CONSTRUCT TRANSITION IN FLOWLINE IN 10 FEET EACH SIDE OF INLET. PIPES TO BE CONNECTED TO INLET AS SHOWN ON STORM SEWER LAYOUT.

INLETS WILL BE PAID FOR AT THE CONTRACT UNIT PRICE EACH FOR INLET SPECIAL, NO 1 WHICH PRICE SHALL INCLUDE THE CAST IRON SLAB TYPE MANHOLE FRAME AND LID (NEENAH R-6143 OR EQUIVALENT), REINFORCEMENT BARS, METAL STEPS AND JOINT FILLER.

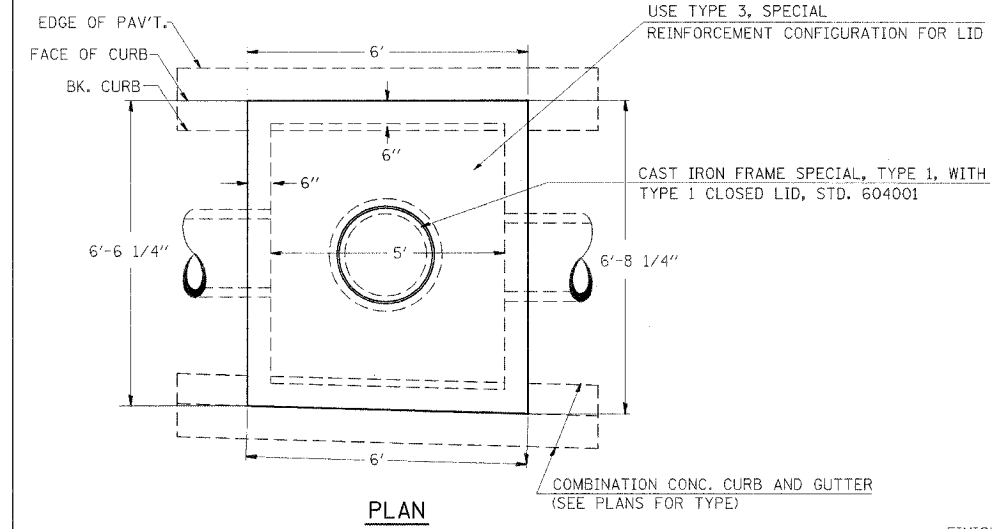
WELD 2" X 2" X 1" (THICK) STEEL FLANGES AT 6" CTS AROUND OUTSIDE PERIMETER OF FRAME TO PROVIDE ADDITIONAL AXIAL REINFORCEMENT FOR TOP SLAB.

**THE GALV. IRON STEPS AS DETAILED HEREON ARE TYPICAL. STEPS OF OTHER DESIGN AND MATERIAL THAT WILL CONFORM TO THE MINIMUM REQUIREMENTS OF THE STEPS SHOWN, MAY BE USED WHEN APPROVED BY THE ENGINEER.



SECTION

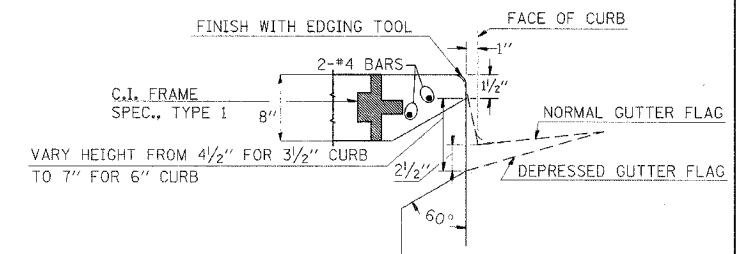
DETAILS OF INLET SPECIAL, NO 2



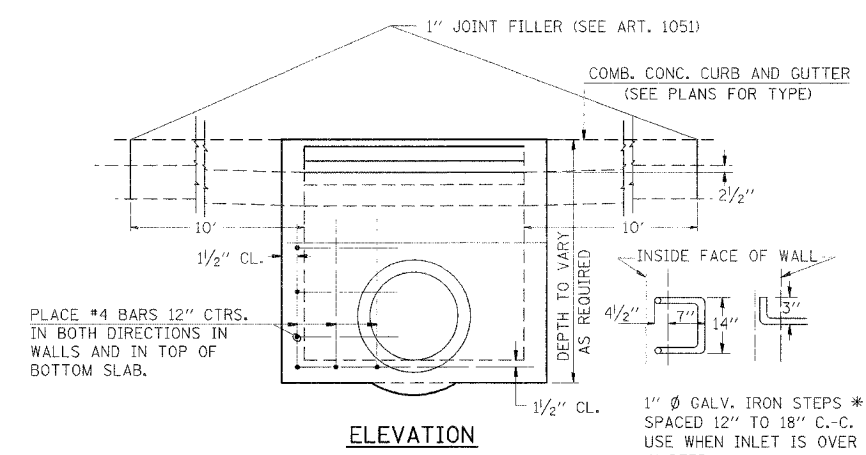
PLAN

CAST IRON FRAME SPECIAL, TYPE 1, WITH TYPE 1 CLOSED LID, STD. 604001

COMBINATION CONC. CURB AND GUTTER (SEE PLANS FOR TYPE)



DETAIL AT WEIR



ELEVATION

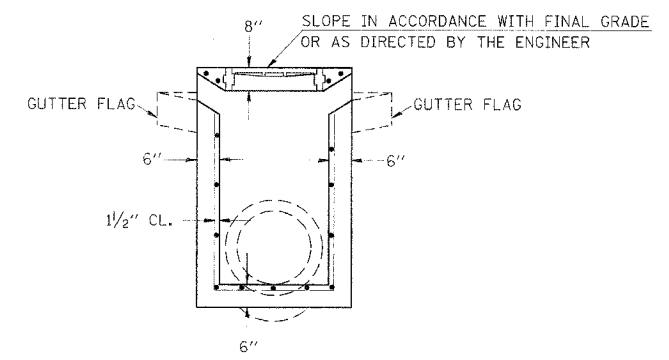
1" Ø GALV. IRON STEPS ** SPACED 12" TO 18" C.-C. USE WHEN INLET IS OVER 4' DEEP.

NOTES:

CLASS SI CONCRETE SHALL BE USED THROUGHOUT. SET FACE OF INLET 1" BEHIND FACE OF CURB. DEPRESS GUTTER FLOWLINE AT INLET 2 1/2" BELOW NORMAL GUTTER FLOWLINE. CONSTRUCT TRANSITION IN FLOWLINE IN 10 FEET EACH SIDE OF INLET. PIPES TO BE CONNECTED TO INLET AS SHOWN ON STORM SEWER LAYOUT.

INLETS WILL BE PAID FOR AT THE CONTRACT UNIT PRICE EACH FOR INLET SPECIAL, NO 2 WHICH PRICE SHALL INCLUDE THE CAST IRON FRAME, SPECIAL, TYPE 1 WITH TYPE 1 CLOSED LID, THE REINFORCEMENT BARS, METAL STEPS AND JOINT FILLER.

**THE GALV. IRON STEPS AS DETAILED HEREON ARE TYPICAL. STEPS OF OTHER DESIGN AND MATERIAL THAT WILL CONFORM TO THE MINIMUM REQUIREMENTS OF THE STEPS SHOWN, MAY BE USED WHEN APPROVED BY THE ENGINEER.



SECTION

2/15/2006 10:55:58 AM C:\p04\23198\4031.dgn