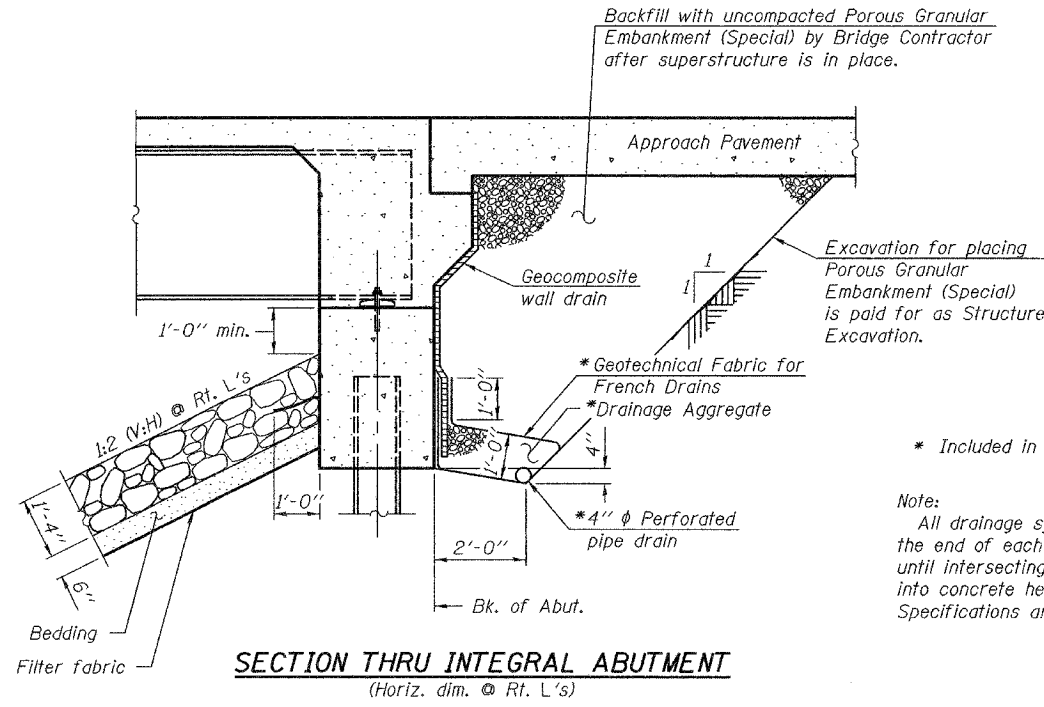


STATE OF ILLINOIS  
DEPARTMENT OF TRANSPORTATION

ROUTE NO.	SECTION	COUNTY	TOTAL SHEETS	SHEET NO.
F.A.P. 331	(12-D B-1)	JACKSON	227	2
FED. ROAD DIST. NO. 7	ILLINOIS	FED. AID PROJECT-		

Contract #98827

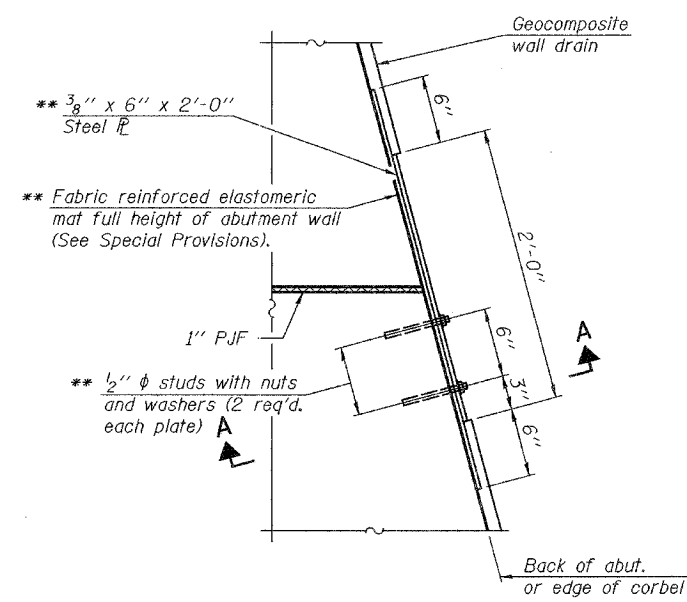
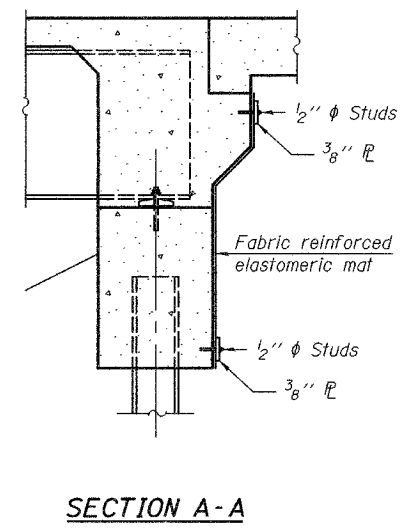


\* Included in the cost of Pipe Underdrains for Structures 4".

Note:  
All drainage system components shall extend to 2'-0" from the end of each wingwall except an outlet pipe shall extend until intersecting with the side slopes. The pipes shall drain into concrete headwalls. (See Article 601.05 of the Standard Specifications and Highway Standard 60110).

**TOTAL BILL OF MATERIAL**

ITEM	UNIT	SUPER	SUB	TOTAL
Porous Granular Embankment (Special)	Cu. Yd.		430	430
Stone Riprap, Class A4	Sq. Yd.		1708	1708
Filter Fabric	Sq. Yd.		1708	1708
Removal of Existing Structures	Each			2
Structure Excavation	Cu. Yd.		538	538
Driving Piles	Foot		6118	6118
Floor Drains	Each	10		10
Concrete Structures	Cu. Yd.		117.4	117.4
Concrete Superstructure	Cu. Yd.	402.8		402.8
Bridge Deck Grooving	Sq. Yd.	985		985
Protective Coat	Sq. Yd.	1267		1267
Furnishing and Erecting Structural Steel	L. Sum	1		1
Stud Shear Connectors	Each	8096		8096
Reinforcement Bars, Epoxy Coated	Pound	75070	15740	90810
Furnishing Steel Piles HP 12x84	Foot		6118	6118
Test Pile Steel HP 12x84	Each		1	1
Name Plates	Each	1		1
Geocomposite Wall Drain	Sq. Yd.		227	227
Pipe Underdrains for Structures, 4"	Foot		360	360
Temporary Soil Retention System	Sq. Ft.		965	965
Bar Splicers	Each	751	48	799
Preformed Joint Strip Seal	Foot	78		78



\*\* Included in the cost of Concrete Structures.

DESIGNED Curt M. Evoy  
 CHECKED Rebecca L. Mitchell  
 DRAWN Michael B. Mossman  
 CHECKED C.M.E. / R.L.M.

March 1, 2006  
 EXAMINED *Thomas J. Domagalicki*  
 PASSED *Ralph E. Anderson*  
 ENGINEER OF BRIDGES AND STRUCTURES

**GENERAL DETAILS**  
**F.A.P. ROUTE 331 - SEC. (12-1)B-1**  
**JACKSON COUNTY**  
**STATION 57+91.70**  
**STRUCTURE NO. 039-0071**