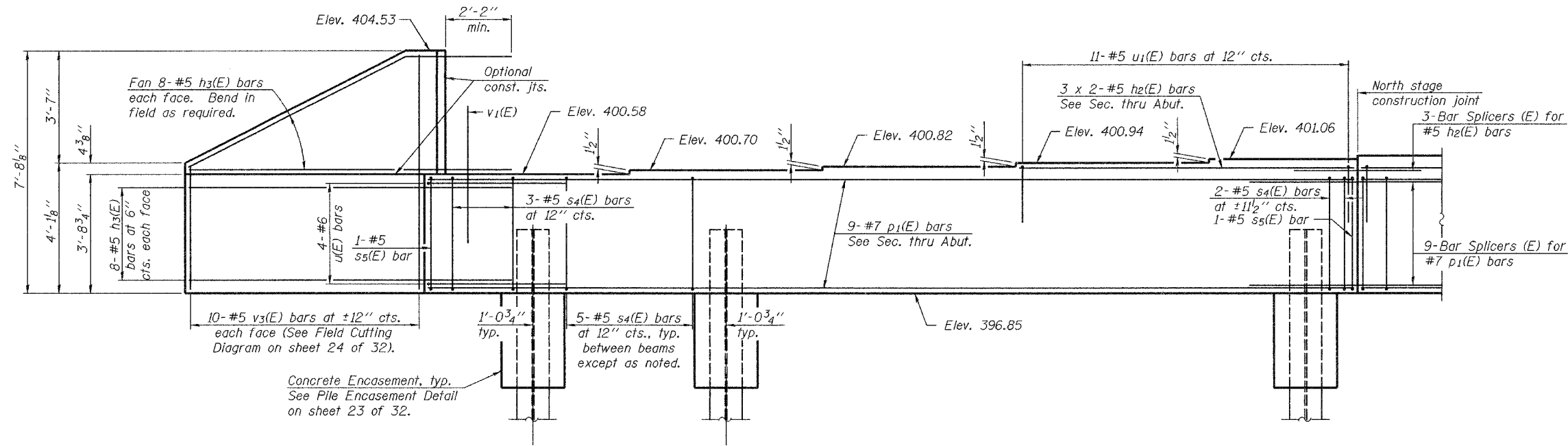


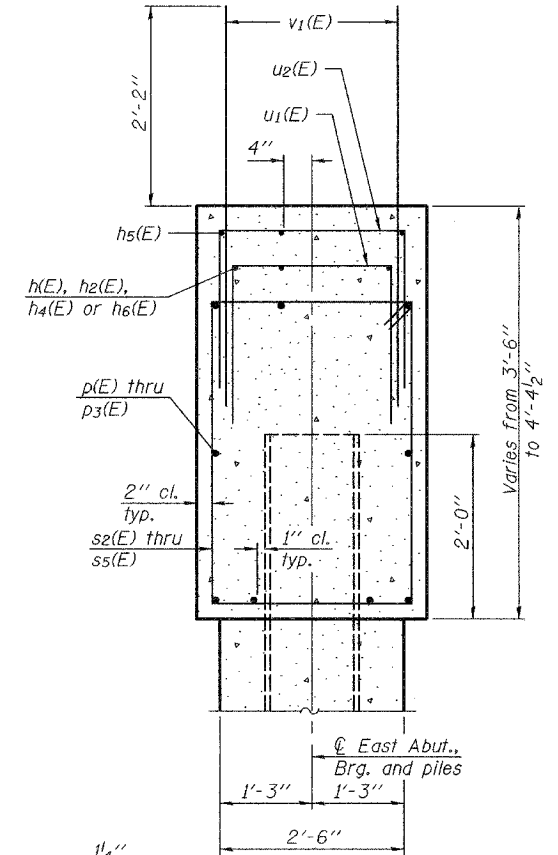
STATE OF ILLINOIS
DEPARTMENT OF TRANSPORTATION

ROUTE NO. F.A.P. 331	SECTION (12-1) B-1	COUNTY JACKSON	SHEET NO. 247	SHEET NO. 22 32 SHEETS
FED. ROAD DIST. NO. 7		ILLINOIS	FED. AID PROJECT	

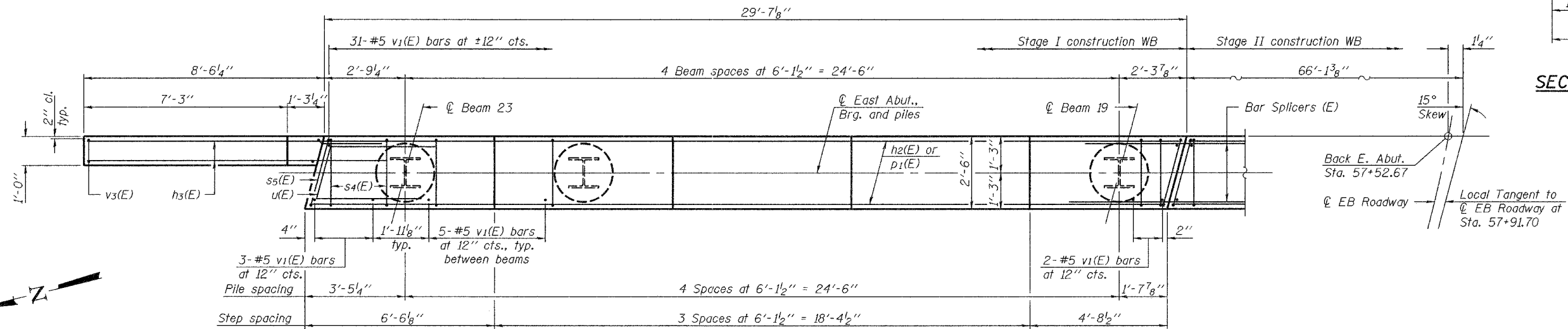
Contract #98827



ELEVATION
(Looking East)



SEC. THRU ABUT.



PLAN

MINIMUM BAR LAP
#5 bar = 2'-3"

EAST ABUTMENT (STAGE I-WB)
F.A.P. ROUTE 331 - SEC. (12-1)B-1
JACKSON COUNTY
STATION 57+91.70
STRUCTURE NO. 039-0071

DESIGNED Curt M. Evoy	EXAMINED <i>Thomas J. Domagalaki</i> ENGINEER OF BRIDGE DESIGN
CHECKED Rebecca L. Mitchell	PASSED <i>Ralph E. Anderson</i> ENGINEER OF BRIDGES AND STRUCTURES
DRAWN Michael B. Mossman	
CHECKED C.M.E. / R.L.M.	

March 1, 2006

