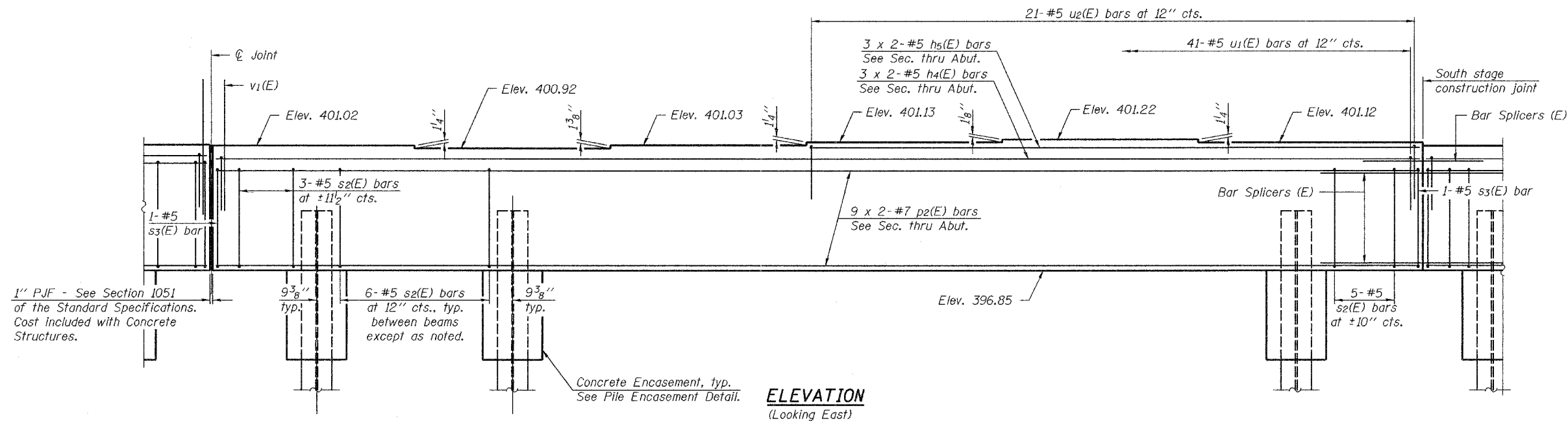


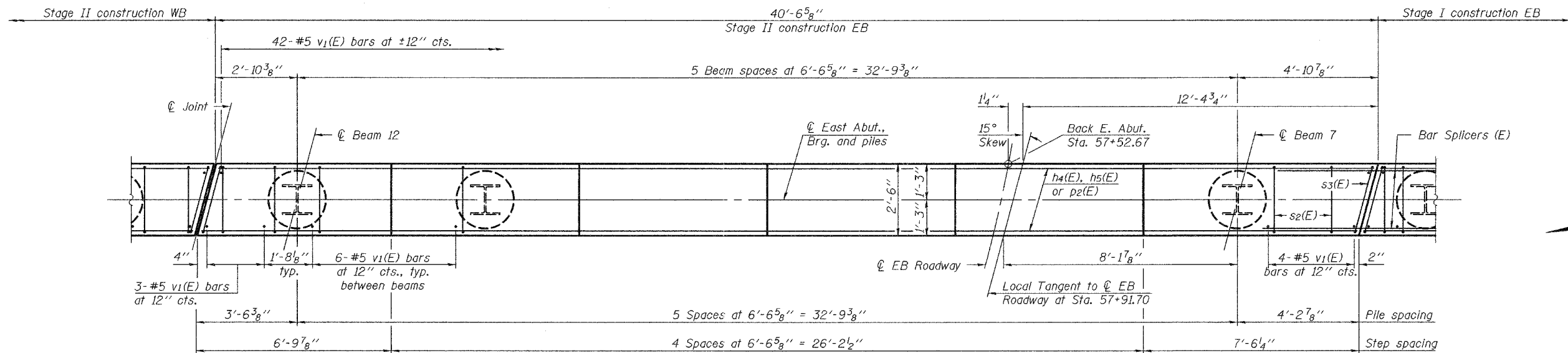
STATE OF ILLINOIS
DEPARTMENT OF TRANSPORTATION

ROUTE NO.	SECTION	COUNTY	SHEET	SHEET NO.
F.A.P. 331	(12-1) B-1	JACKSON	248	23
FED. ROAD DIST. NO. 7	ILLINOIS	FED. AID PROJECT-		32 SHEETS

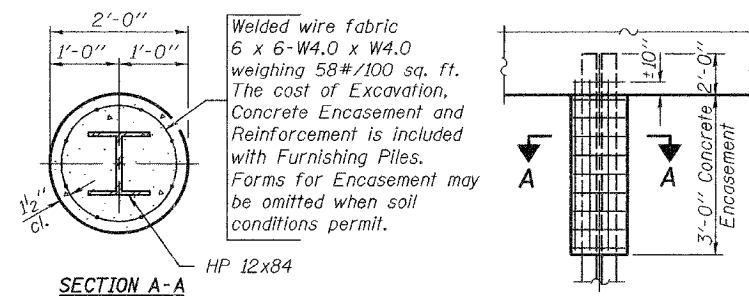
Contract #98827



ELEVATION
(Looking East)



PLAN



PILE ENCASEMENT DETAIL

MINIMUM BAR LAP

#5 bar = 2'-3"
#7 bar = 3'-8"

EAST ABUTMENT (STAGE II-EB)
F.A.P. ROUTE 331 - SEC. (12-1)B-1
JACKSON COUNTY
STATION 57+91.70
STRUCTURE NO. 039-0071

DESIGNED	Curt M. Evoy
CHECKED	Rebecca L. Mitchell
DRAWN	Michael B. Mossman
CHECKED	C.M.E. / R.L.M.

EXAMINED	March 1, 2006	Thomas J. Domagalaki
PASSED		Ralph E. Anderson