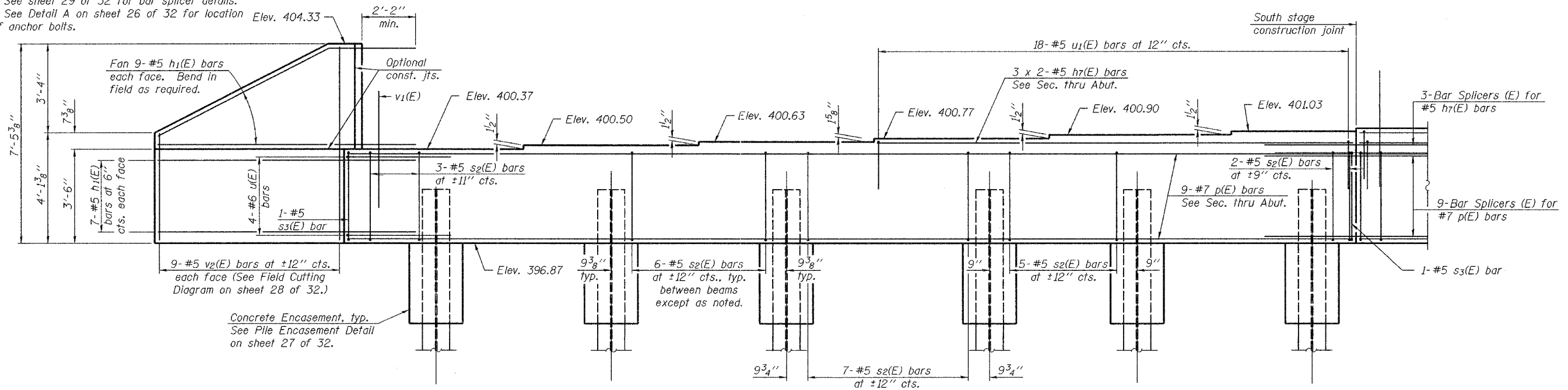


STATE OF ILLINOIS  
DEPARTMENT OF TRANSPORTATION

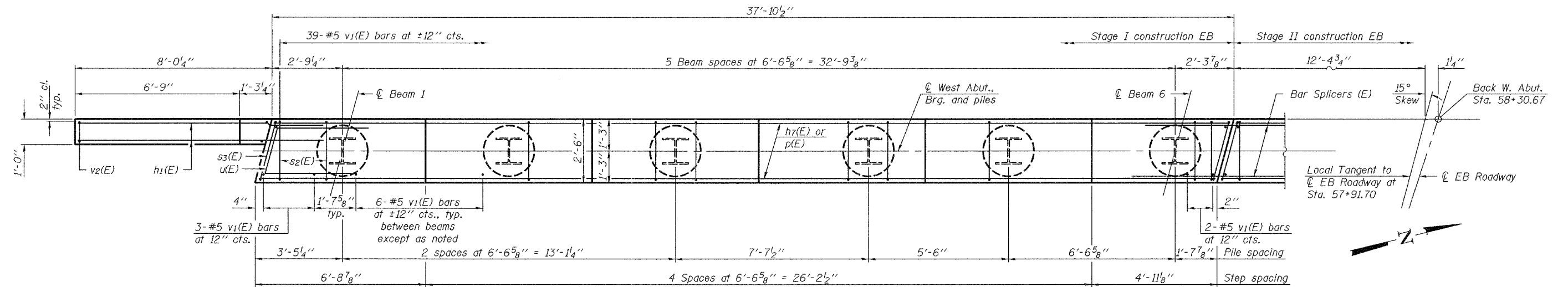
ROUTE NO. F.A.P. 331	SECTION (12-1) B-1	COUNTY JACKSON	TOTAL SHEETS 250	SHEET NO. 25
FED. ROAD DIST. NO. 7		ILLINOIS	FED. AID PROJECT	32 SHEETS

Contract #98827

Notes:  
Pour steps monolithically with cap.  
Reinforcement bars designated (E) shall be epoxy coated.  
Bars indicated thus 9 x 2-#7 etc. indicates 9 lines of bars with 2 lengths per line.  
Space reinforcement in cap to miss anchor bolts.  
See sheet 28 of 32 for reinforcement details, pile data and Bill of Material.  
See sheet 26 of 32 for Section thru Abut.  
See sheet 29 of 32 for bar splicer details.  
See Detail A on sheet 26 of 32 for location of anchor bolts.



**ELEVATION**  
(Looking West)



**PLAN**

**MINIMUM BAR LAP**  
#5 bar = 2'-3"

**WEST ABUTMENT (STAGE I-EB)**  
F.A.P. ROUTE 331 - SEC. (12-1)B-1  
JACKSON COUNTY  
STATION 57+91.70  
STRUCTURE NO. 039-0071

DESIGNED	Curt M. Evoy
CHECKED	Rebecca L. Mitchell
DRAWN	Michael B. Mossman
CHECKED	C.M.E. / R.L.M.

EXAMINED	Thomas J. Donagale	March 1, 2006
PASSED	Ralph E. Anderson	