

STATE OF ILLINOIS  
DEPARTMENT OF TRANSPORTATION

ROUTE NO. F.A.P. 331	SECTION (12-1) B-1	COUNTY JACKSON	SHEETS 253	SHEET NO. 28 32 SHEETS
FED. ROAD DIST. NO. 7		ILLINOIS	FED. AID PROJECT	Contract #98827

**BILL OF MATERIAL**

Bar	No.	Size	Length	Shape
h1(E)	32	#5	11'-0"	
h3(E)	32	#5	11'-6"	
h4(E)	6	#5	21'-3"	
h7(E)	6	#5	10'-5"	
h8(E)	6	#5	6'-9"	
h9(E)	6	#5	11'-8"	
h10(E)	6	#5	13'-11"	
h11(E)	6	#5	7'-4"	
p1(E)	9	#7	37'-7"	
p2(E)	9	#7	29'-4"	
p3(E)	18	#7	22'-0"	
p3(E)	9	#7	37'-8"	
s2(E)	73	#5	11'-7"	□
s3(E)	4	#5	11'-9"	□
s4(E)	57	#5	11'-11"	□
s5(E)	4	#5	12'-1"	□
u(E)	8	#6	9'-5"	⌢
u1(E)	109	#5	4'-8"	□
u2(E)	21	#5	5'-8"	□
v1(E)	280	#5	4'-4"	
v2(E)	9	#5	11'-0"	
v3(E)	10	#5	11'-1"	
Concrete Structures		Cu. Yd.	58.7	
Reinforcement Bars, Epoxy Coated		Pound	7870	
Structure Excavation		Cu. Yd.	269	
Furnishing Steel Piles HP 12x84		Foot	3071	
Driving Piles		Foot	3071	

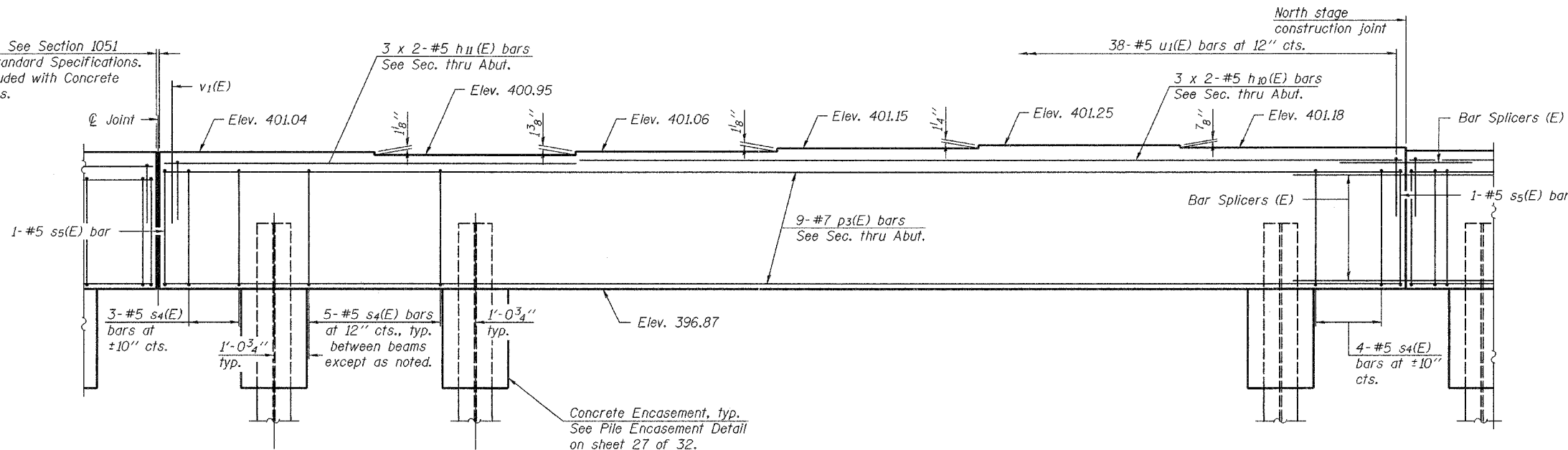
**PILE DATA**

Type: HP 12x84  
Nominal Required Bearing: 665 tons  
Nominal Design Capacity: 92.4 tons  
Est. Length: 133.5 ft.  
No. Required: 23

**MINIMUM BAR LAP**  
#5 bar = 2'-3"

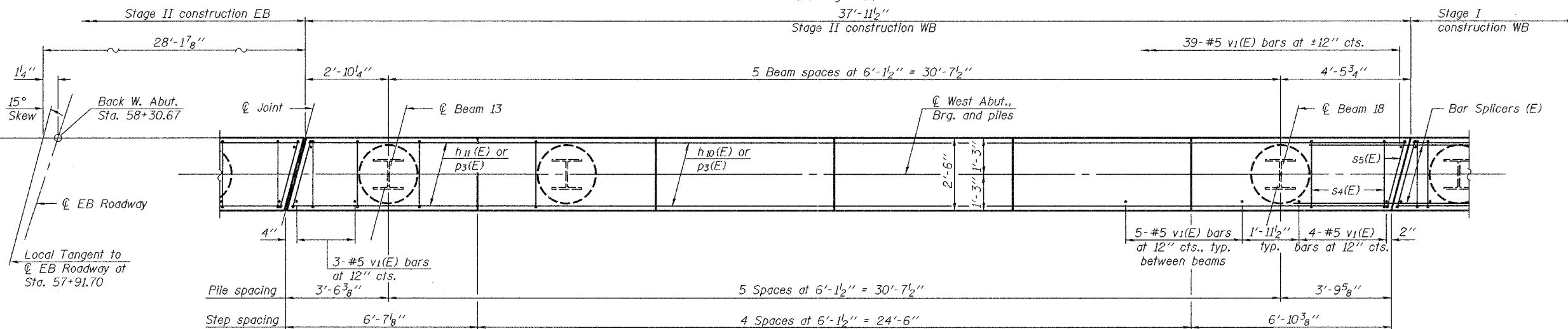
**WEST ABUTMENT (STAGE II-WB)**  
F.A.P. ROUTE 331 - SEC. (12-1)B-1  
JACKSON COUNTY  
STATION 57+91.70  
STRUCTURE NO. 039-0071

1" PJF - See Section 1051 of the Standard Specifications. Cost included with Concrete Structures.

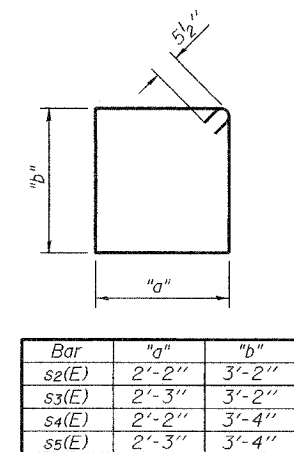


**ELEVATION**

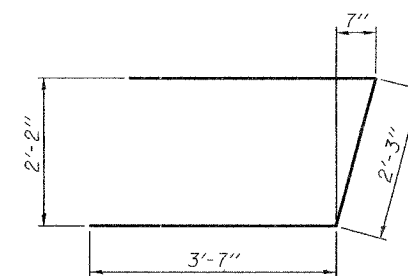
(Looking West)



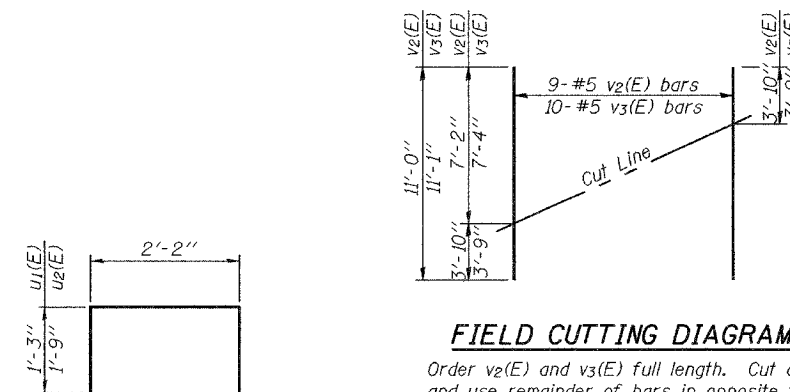
**PLAN**



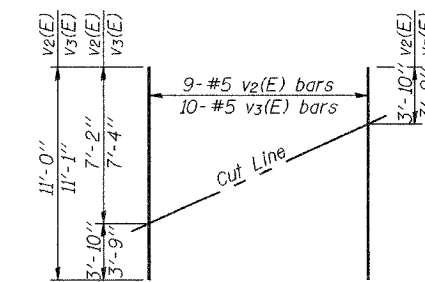
**BARS s2(E) thru s5(E)**



**BAR u(E)**



**BARS u1(E) and u2(E)**



**FIELD CUTTING DIAGRAM**

Order v2(E) and v3(E) full length. Cut as shown and use remainder of bars in opposite face.

DESIGNED	Curt M. Evoy
CHECKED	Rebecca L. Mitchell
DRAWN	Michael B. Mossman
CHECKED	C.M.E. / R.L.M.

EXAMINED	March 1, 2006	Thomas J. Domagala
PASSED		Ralph E. Anderson