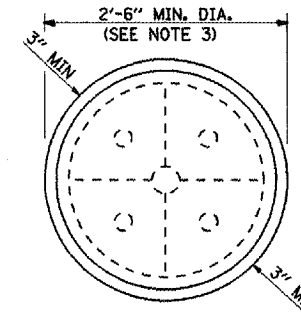
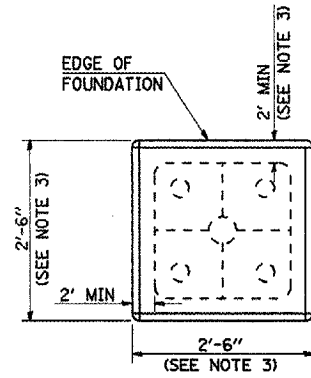


FOUNDATION DETAIL

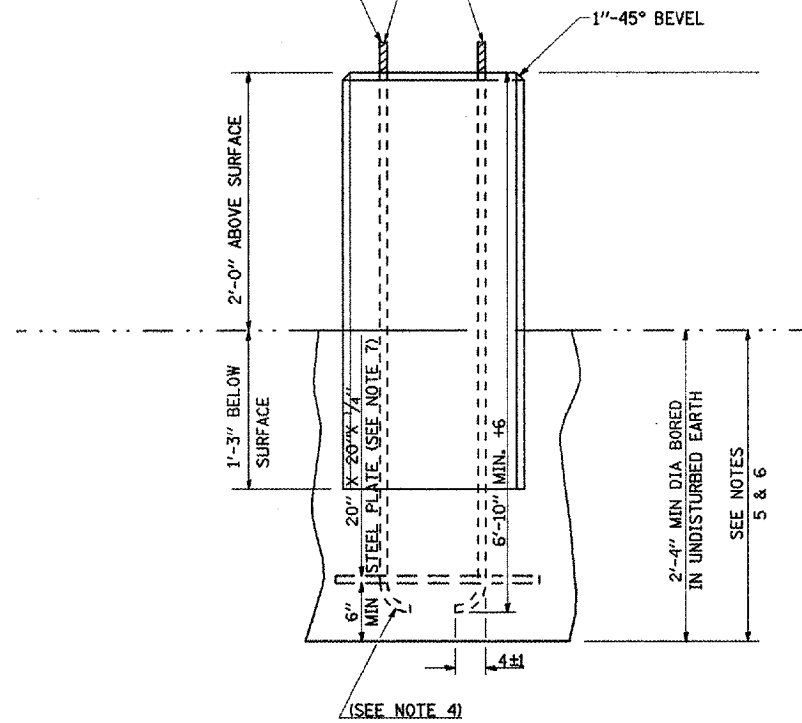
F.A.I. RTE.	SECTION	COUNTY	TOTAL SHEETS	SHEET NO.
57	*	**	7	5
STA.		TO STA.		
FED. ROAD DIST. NO.		ILLINOIS FED. AID PROJECT		
• SECTION GPS MONUMENT SETTINGS FY06				
•• JEFFERSON AND WILLIAMSON COUNTIES				



ALT. FOUNDATION

ANCHOR BOLT SHALL EXTEND THROUGH NUT 3/8" TO 1". USE SELF-LOCKING NUT AND FLAT WASHER. DO NOT USE LOCK-WASHER.

5/8" Ø STEEL ANCHOR BOLT THREADED 4"+ AND HOT DIP GALVANIZED 4"± 1" HOOK ON THE OTHER END. (SEE NOTE 4)



GENERAL NOTES

1. AFTER POURING CONCRETE, THE FORM SHALL REMAIN UNDISTURBED OVERNIGHT.
2. THE TOP 3'-3" ONLY SHALL BE FORMED. CONCRETE BOUNDED BY UNDISTURBED EARTH ONLY SHALL FILL THE REMAINDER OF THE HOLE.
3. MINIMUM CLEARANCE FROM THE OUTSIDE EDGE OF FOUNDATION TO ANY PART OF THE POLE BASEPLATE SHALL BE 3".
4. BEND RADIUS SHALL BE FOUR TIMES BOLT DIAMETER.
5. THE GPS ANTENNA PEDESTAL FOUNDATION SHALL BE A MINIMUM DEPTH OF 15 FEET BELOW THE GROUND SURFACE WHEN IN UNCONSOLIDATED SOILS.
6. THE POWER PEDESTAL FOUNDATION SHALL BE A MINIMUM DEPTH OF 5' FEET BELOW THE GROUND SURFACE.
7. THE DEPTH OF THE FOUNDATION MAY BE REDUCED WHEN ROCK IS ENCOUNTERED A MINIMUM DEPTH WILL BE 4'-6". WHEN THE DEPTH OF THE FOUNDATION IS DECREASED TO LESS THAN 6' THE ANCHOR BOLTS SHALL BE CUT, THREADED, AND A STEEL PLATE 20" X 20" X 1/4" SHALL BE INSTALLED ON THE ANCHOR BOLTS A MINIMUM OF 6" ABOVE THE BOTTOM OF THE EXCAVATION. THE COST SHALL BE INCIDENTAL THE FOUNDATION.

PLOT DATE = 2/14/2006
 FILE NAME = c:\projects\98971\98971.dwg
 PLOT SCALE = 3/708 / IN.
 USER NAME = hallejld

REVISIONS	
NAME	DATE

ILLINOIS DEPARTMENT OF TRANSPORTATION

FOUNDATION DETAIL

SCALE: VERT. DATE
 HORIZ. CHECKED BY

DRAWN BY