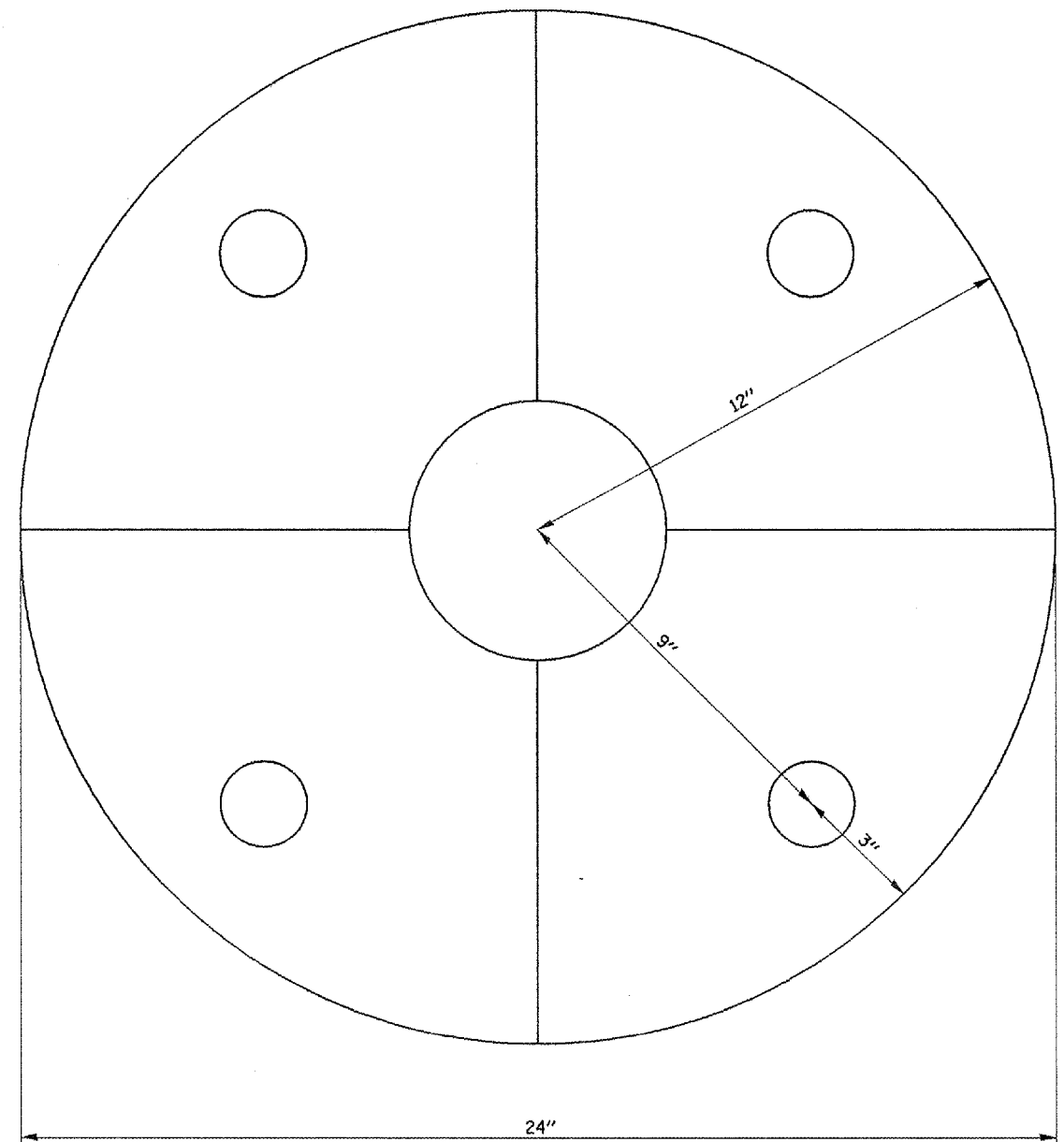
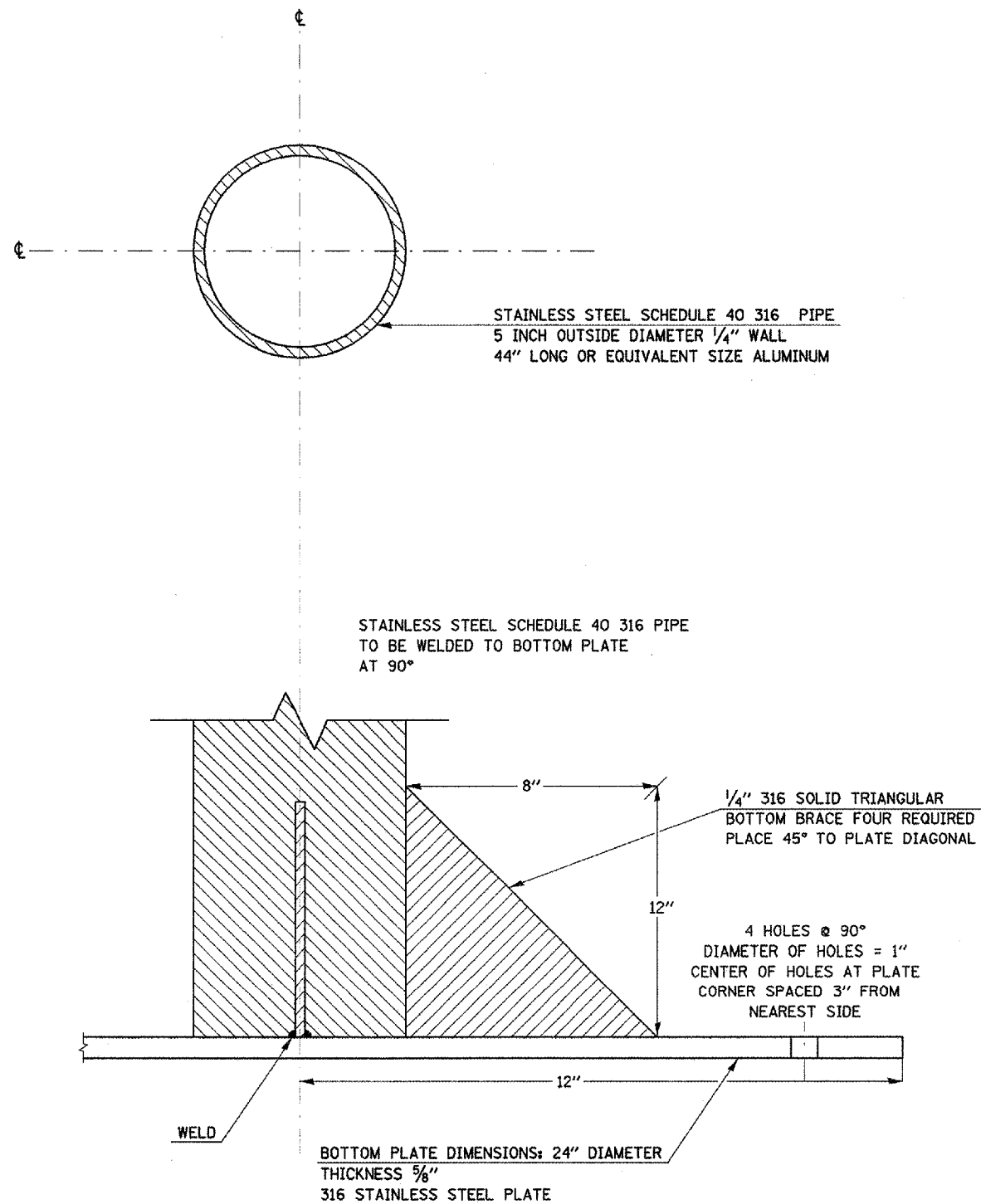


F.A.I. RTE.	SECTION	COUNTY	TOTAL SHEETS	SHEET NO.
57	*	**	7	6
STA.		TO STA.		
FED. ROAD DIST. NO.	ILLINOIS	FED. AID PROJECT		
* SECTION GPS MONUMENT SETTINGS FY06				
** JEFFERSON AND WILLIAMSON COUNTIES				



PLOT DATE = 2/08/2006
FILE NAME = c:\projects\98971\98971.dgn
PLOT SCALE = 3/16" = 1"
USER NAME = kallejhd

REVISIONS	
NAME	DATE

ILLINOIS DEPARTMENT OF TRANSPORTATION

**ANTENNA & POWER
GPS PEDESTAL DETAIL**

SCALE: VERT. _____
HORIZ. _____

DATE _____

DRAWN BY _____
CHECKED BY _____